

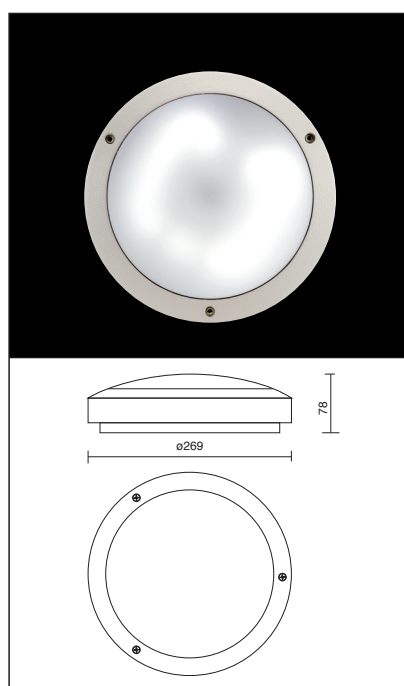
Moon

Interni **Indoor**

Corpo e base: in alluminio verniciato.
 Vano ottico: in alluminio.
 Equipaggiamento: diffusore in polycarbonato opale, viteria in acciaio.
 Verniciatura: in polveri.

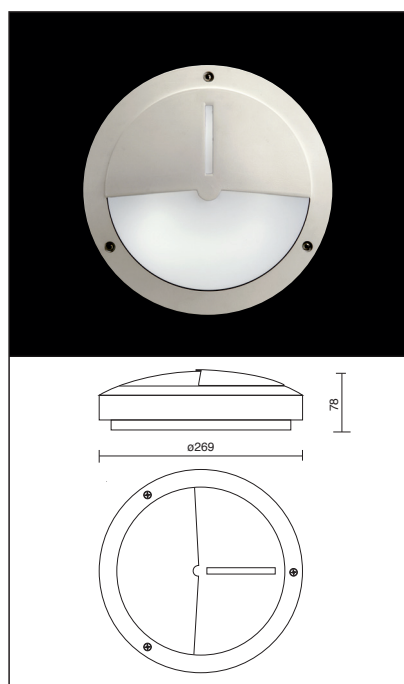
Main structure : aluminium body and aluminium base-plate.
 Optics : aluminium main reflector.
 Equipement : polycarbonate opal diffuser with steel fixing screw.
 Finishing : powder coating.

MOON MOON



IP65 IK10				F		Codice Code		PESO WEIGHT
								Kg
	FSM Gx24q3		26W	<input type="radio"/> Br	<input checked="" type="radio"/> Ne	<input type="radio"/> Gr	E5420 E5421 E5422	0,800
	IAA E14		40W	<input type="radio"/> Br	<input checked="" type="radio"/> Ne	<input type="radio"/> Gr	E5423 E5424 E5425	0,800
	FSS Gr10q		16W	<input type="radio"/> Br	<input checked="" type="radio"/> Ne	<input type="radio"/> Gr	E5426 E5427 E5428	0,800

MOON/P MOON/P



IP65 IK10				F		Codice Code		PESO WEIGHT
								Kg
	FSM Gx24q3		26W	<input type="radio"/> Br	<input checked="" type="radio"/> Ne	<input type="radio"/> Gr	E5430 E5431 E5432	0,900
	IAA E14		40W	<input type="radio"/> Br	<input checked="" type="radio"/> Ne	<input type="radio"/> Gr	E5433 E5434 E5435	0,900
	FSS Gr10q		16W	<input type="radio"/> Br	<input checked="" type="radio"/> Ne	<input type="radio"/> Gr	E5436 E5437 E5438	0,900