



The luminaire is used for direct ceiling or suspension lighting, and enables creative solutions using the position of light itself.

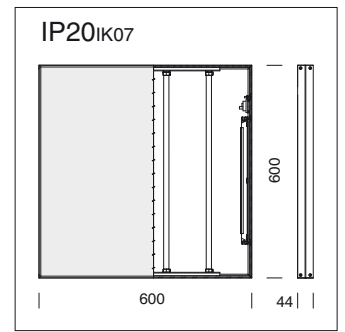
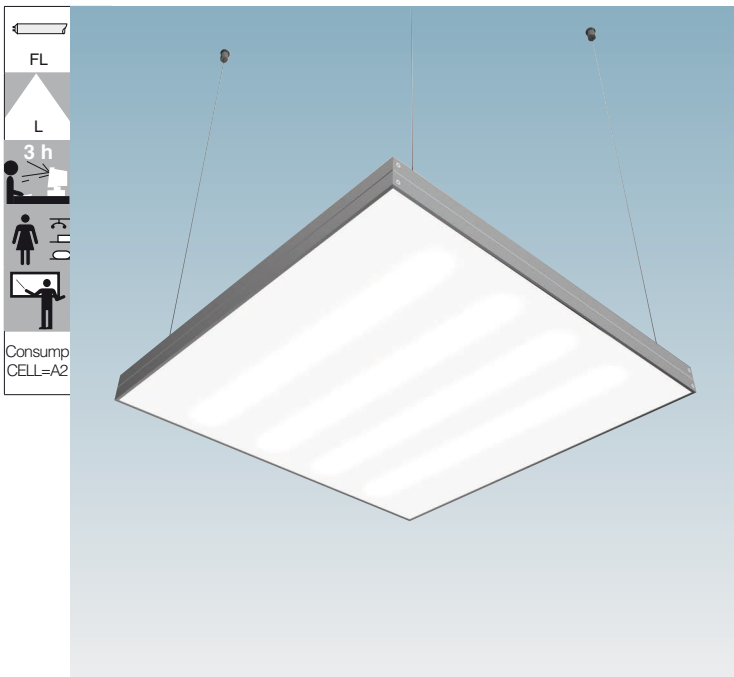
**Housing:** in extruded aluminium.

**Diffuser:** diffuser with either matt structure.

**Equipment Schermo di luce A:** supplied with suspension accessories (wires and ceiling roses).



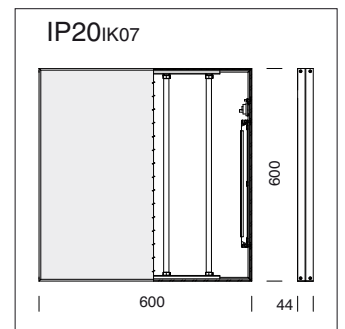
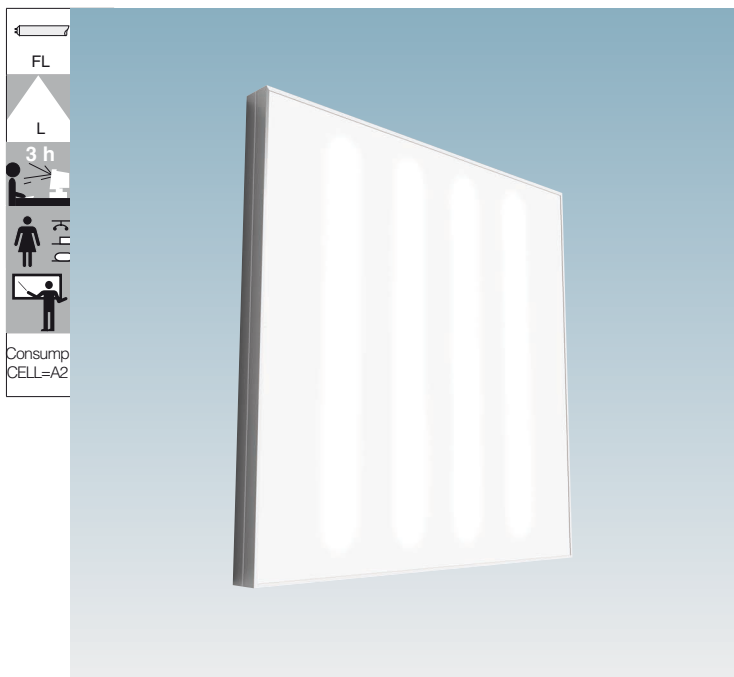
base	Watt	lamp	weight kg	colour	Code Fosnova
------	------	------	--------------	--------	-----------------



**Schermo di luce A**

G5 4x14 FL 6.4 natural oxidised

**CELL  
184071**



**Schermo di luce B**

G5 4x14 FL 6.4 natural oxidised

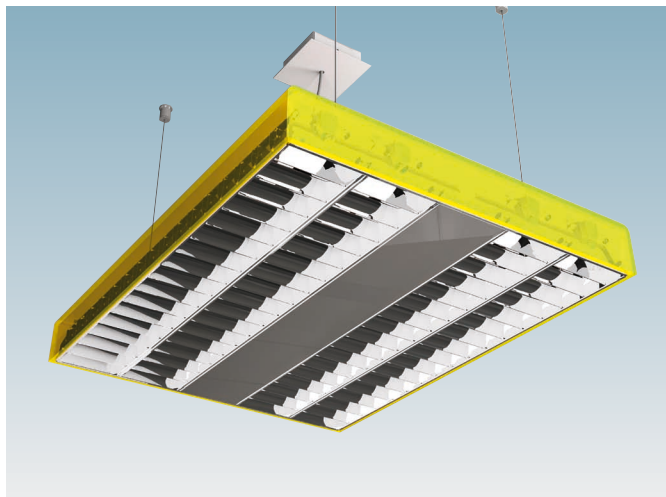
**CELL  
184170**

The latest and most efficient luminaire.

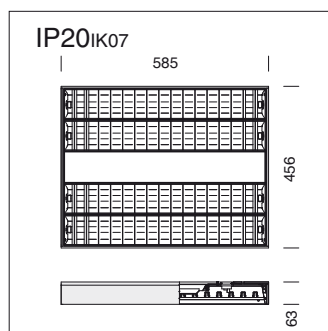
It retains and shares with other luminaires from the same category all the qualities of direct and task lighting. Its shape breaks away from the monotony of traditional design, while vivid colours will brighten up any office environment.

**Housing:** in clear polymethyl-methacrylate, colours available upon request.

**Darklight Fixtures:** in high-gloss plated aluminium anti-glare and anti-iridescence



base	Watt	lamp	weight kg	colour	Code Fosnova
------	------	------	--------------	--------	-----------------



Colore					CELL
G5	4x14	FL	3.6	orange	<b>184221</b>
G5	4x14	FL	3.6	yellow	<b>184254</b>
G5	4x14	FL	3.6	blue	<b>184283</b>

