



Housing : in die-cast aluminium.

Coating: fluid-coated with a humidity resistant, UV-stabilized acrylic-resin paint.

Lampholder: ceramic with silver-plated contacts, or PBT with phosphorous bronze contacts.

Electric gear: supplied with inbuilt 350mA power supply for 1W monochromatic LED lights; 700mA power supply for 3W monochromatic LED lights; with 6 pole terminal block for monochromatic LED and RGB power connection. Available upon request.

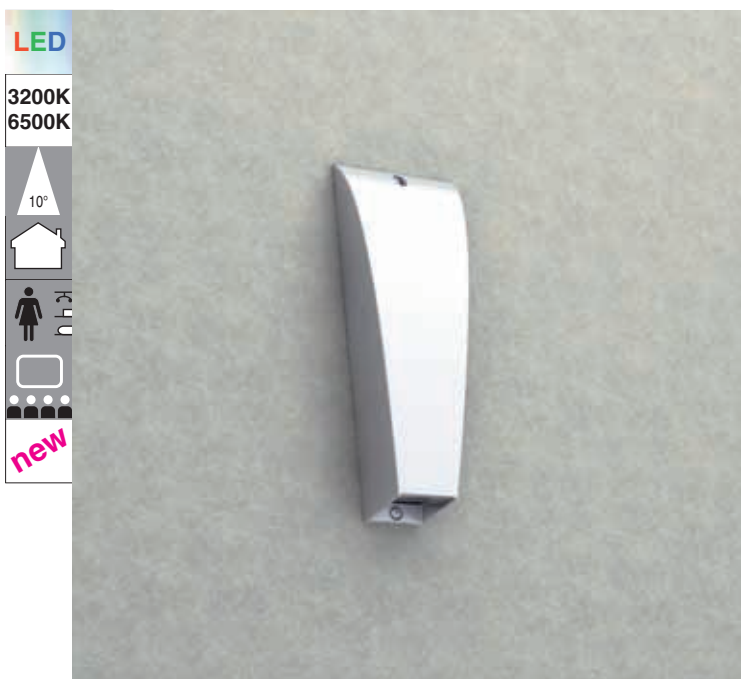
Equipment: supplied with 2 IP65 cable glands for max 7 mm external diameter cables. 6 pole terminal block for Monochromatic POWERLED and POWERLED RGB power connection.

Regulations: manufactured in compliance with EN 60598-1-CEI 34.21 standards, protection level according to EN 60529 standards.

Lamps: Standard version with 25° lens.



base	Watt	lamp	weight kg	colour	Code Fosnova
------	------	------	--------------	--------	-----------------



LED

3200K
6500K

10°

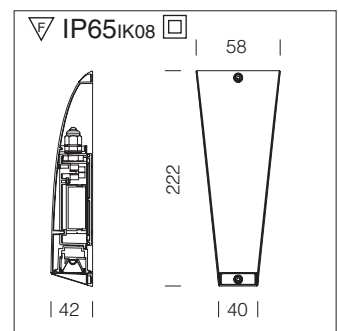
new

Spy 1 and white LED are supplied in the S version upon request (LED power supply excluded). A power supply pack to insert in the IP65 box at the top of the circuit is supplied separately:

- code 90832 - 350mA - 4W max 3 Spy, 1W
- code 90837 - 350mA - 17W max 12 Spy, 1W
- code 90835 - 700mA - 10W max 3 Spy, 3W

The IP67 power supply pack can be used as an alternative

- code 92035 - 350mA - 70W
- code 92036 - 700mA - 70W



Spy 1 - LED White				CTL
1,2W	LED white 3200K	m. silver		84071
1,2W	LED white 6500K	m. silver		84072
3W	LED white 3200K	m. silver		84073
3W	LED white 6500K	m. silver		84074

Lens opening angle can be selected (25°-40°).

Spy 1 - RGB			S
4,8W	LED RGB	m. silver	84175

Use power supply code 90870, to power up to 5 RGB spotlights.

To supply other 5 spotlights RGB in sync with MASTER, acquire SLAVE cod 90871.

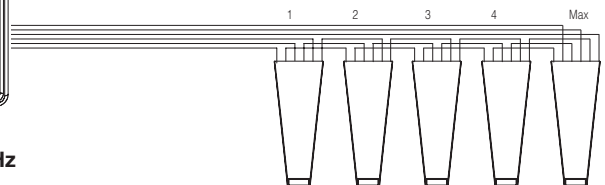
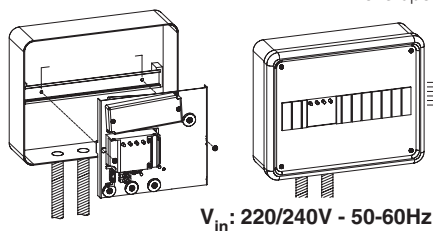
In case of installation in a control board, the following are supplied separately:

- KIT1, code 90872 (plate with 1 MASTER, Power supply, IRE Receiver and a terminal block), powers up to 5 spotlights in synchronized mode;
- KIT2, code 90873 (plate with 1 MASTER, 1 SLAVE, 2 Power supplies, IRE Receiver and a terminal block), powers up to 10 spotlights in synchronized mode.

Lens opening angle can be selected: 10° - 25° - 40°.

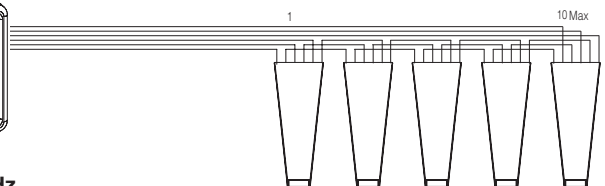
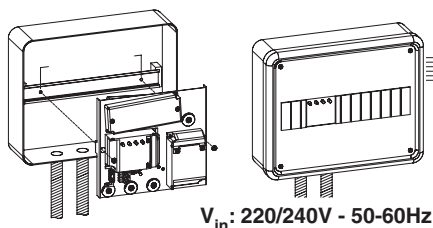
KIT1 COD. 90872
1 Master, 1 power supply,
1 IRE receiver and one terminal
block

Supplied with a pre-wired plate to be inserted in IP65 box, containing 1 Master, 1 power supply, 1 IRE receiver and a terminal block, to be used to power 5 RGB spotlights in synchronized mode.



KIT2 COD. 90873
1 Master, 1 Slave, 2 power supply
packs,
1 IRE receiver and one terminal
block

Supplied with a pre-wired plate to be inserted in IP65 box, containing 1 Master, 1 Slave, 2 power supplies, 1 IRE receiver and a terminal block, to be used to power 10 RGB spotlights in synchronized mode.



FOR THE FURTHER INFORMATION AND RGB CONNECTION SEE PAG. 268-269

Housing : in die-cast aluminium.

Coating: fluid-coated with a humidity resistant, UV-stabilized acrylic-resin paint.

Lampholder: ceramic with silver-plated contacts, or PBT with phosphorous bronze contacts.

Electric gear: supplied with inbuilt 350mA power supply for 1W monochromatic LED lights; 700mA power supply for 3W monochromatic LED lights; with 6 pole terminal block for monochromatic LED and RGB power connection.

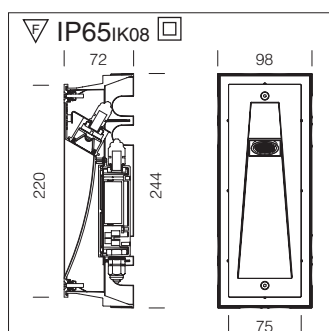
Equipment: supplied with 2 IP65 cable glands for max 7 mm external diameter cables. 6 pole terminal block for Monochromatic POWERLED and POWERLED RGB power connection.

Regulations: manufactured in compliance with EN 60598-1-CEI 34.21 standards, protection level according to EN 60529 standards

Lamps: Standard version with 25° lens.



base	Watt	lamp	weight kg	colour	Code ifosnova
------	------	------	--------------	--------	------------------



Spy 2 and white LED are supplied in the S version upon request (LED power supply excluded). A power supply pack to insert in the IP65 box at the top of the circuit is supplied separately:

- code 90832 - 350mA - 4W max 3 Spy, 1W
- code 90837 - 350mA - 17W max 12 Spy, 1W
- code 90835 - 700mA - 10W max 3 Spy, 3W

The IP67 power supply pack can be used as an alternative

- code 92035 - 350mA - 70W
- code 92036 - 700mA - 70W



Spy 2 - LED White			CTL
1,2W	LED white 3200K	m. silver	84271
1,2W	LED white 6500K	m. silver	84272
3W	LED white 3200K	m. silver	84273
3W	LED white 6500K	m. silver	84274

Lens opening angle can be selected (10°-25°-40°).

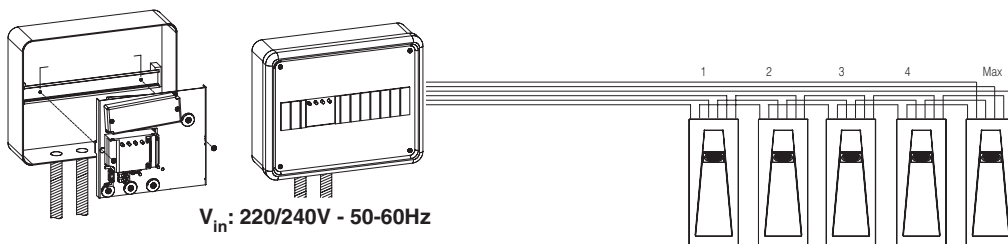
Spy 2 - RGB			CTL
4,8W	LED RGB	m. silver	84375

Use power supply code 90870, to power up to 5 RGB spotlights.
To supply other 5 spotlights RGB in sync with MASTER, acquire SLAVE cod 90871.
In case of installation in a control board, the following are supplied separately:
- KIT1, code 90872 (plate with 1 MASTER, Power supply, IRE Receiver and a terminal block), powers up to 5 spotlights in synchronized mode;
- KIT2, code 90873 (plate with 1 MASTER, 1 SLAVE, 2 Power supplies, IRE Receiver and a terminal block), powers up to 10 spotlights in synchronized mode.
Lens opening angle can be selected: 10° - 25° - 40°.

KIT1 COD. 90872

1 Master, 1 power supply,
1 IRE receiver and one terminal
block

Supplied with a pre-wired plate to be inserted in IP65 box, containing 1 Master, 1 power supply, 1 IRE receiver and a terminal block, to be used to power 5 RGB spotlights in synchronized mode.

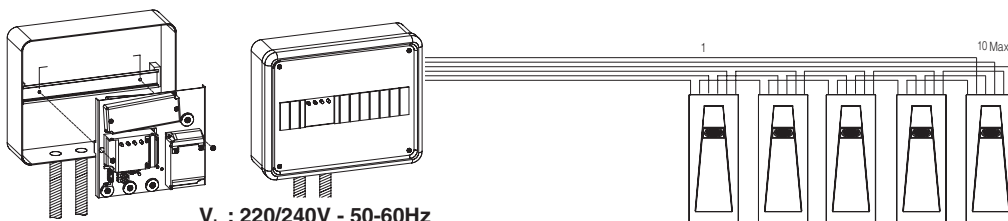


V_{in}: 220/240V - 50-60Hz

KIT2 COD. 90873

1 Master, 1 Slave, 2 power supply
packs,
1 IRE receiver and one terminal
block

Supplied with a pre-wired plate to be inserted in IP65 box, containing 1 Master, 1 Slave, 2 power supplies, 1 IRE receiver and a terminal block, to be used to power 10 RGB spotlights in synchronized mode..



V_{in}: 220/240V - 50-60Hz

FOR THE FURTHER INFORMATION AND RGB CONNECTION SEE PAG. 268-269

POWERLED RGB CONNECTIONS

LUMINAIRES