



Our range of wall fixtures was created to meet a vast array of diverse interior architectural needs. Thanks to their neat, sleek design these fixtures can smoothly blend into any context. They use energy saving lamps that emit a diffused light due to the special finish of the tempered glass: this acid-based process, though not reducing the amount of light, enables an excellent emission of the luminous flux. Deep or pale colour glasses available on request.

Housing: Fibreglass nylon.
Diffuser: Acid treated tempered glass.
Lampholder: Polycarbonate with phosphorous bronze contacts.
Electric gear: 230V-50Hz power supply with a traditional or an electronic ballast. Hard wire, cross section 0.50 mm², and high-temperature resistant (up to 90°C) PVC-HT sheath, in accordance with CEI 20-20 standards. 2P + T terminal block (maximum allowed lead cross section 2.5 mm²)
Regulations: Manufactured in accordance with EN 60598-CEI 34.21 standards. EN 60529/60598-1 compliant level of protection.
Lamps: Supplied with energy saving lamps.



base	Watt	lamp	weight kg	colour	Code ifosnova
------	------	------	--------------	--------	------------------

FLC-T

FLC-T/E

3000K
Ra=1b

26W=1800lm
18W=1200lm

Consump.
CELL=A2
CNRL=B2

L

egypt red

flamingo orange

arcady green

moon blue

diva light blue

IP40IK07

Zsa-Zsa 3000K					CNRL
GX24d-3	1x26	FLC-T	3,00	grey RAL7035	70611
					CELL
GX24q-3	1x26	FLC-T/E	2,60	grey RAL7035	70611-08
Lamps T colour 3000K.					
					CNRL-E
GX24q-2	1x18	FLC-T/E	3,70	grey RAL7035	70611-07

Deep or pale coloured glass and either black or grey housing are available for the ZSA-ZSA versions on request.

FLC-D

FLC-D/E

3000K
Ra=1b

26W=1800lm
18W=1200lm

Consump.
CELL=A2
CNRL=B2

L

E

A2

egypt red

flamingo orange

arcady green

moon blue

diva light blue

IP40IK07

Josephine 3000K					CNRL
G24d-3	1x26	FLC-D	3,30	grey RAL7035	70711
					CELL
G24q-3	1x26	FLC-D/E	2,80	grey RAL7035	70711-08
Lamps D-D/E colour 3000K.					
					CNRL-E
G24q-2	1x18	FLC-D/E	3,90	grey RAL7035	70711-07
Autonomic emergency group versions (1 hour operation) + lamp.					
					CELL-E
G24q-3	1x26	FLC-D/E	2,80	grey RAL7035	70711-09

Deep or pale coloured glass and either black or grey housing are available for the JOSEPHINE versions on request.

King: wall-mounted floodlight designed to fulfil specific lighting requirements in areas that necessitate high protection levels.

Housing: adjustable in die-cast aluminium.

Reflector: high-efficiency anodised and polished aluminium.

Diffuser: tempered protective glass.

Coating: Fluid-coated with a humidity resistant, UV-stabilised acrylic-resin paint.

Lampholder: ceramic and silver contacts, or in PBT with phosphorous bronze contacts.

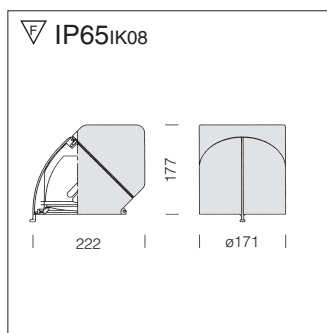
Electric gear: 230V-50Hz power supply. Flexible wire terminated with admiralty brass clamps, silicone insulation with fibreglass braid, cross section 1.5 sq mm, 2P + T terminal block.

Regulations: Manufactured in accordance with EN 60598-CEI 34.21 standards. EN 60529 compliant level of protection.

Lamps: Completed with discharge, halogen. fluorescent compact energy saving lamps and LED.



base	Watt	lamp	weight kg	colour	Code Fosnova
------	------	------	--------------	--------	-----------------

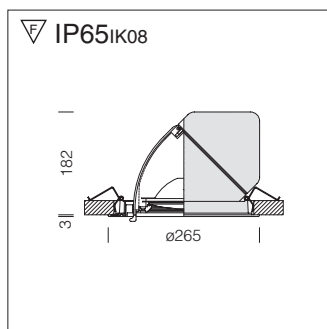


King wall version

					CNL
G24d-1	13	FLC-D	3,4	white	49418
G24d-1	13	FLC-D	3,4	silver	49472
E27	75	ALO	3,4	white	49419
E27	75	ALO	3,4	silver	49473



- ALO
- 3000K
- 2000h
- XL
- FLC-D
- 3000K
- Ra=1b
- 900lm
- L
- P



King POWERLED new

Versions with POWERLED narrow, medium and wide beam are available on request.



- S
- M
- L
- Ø 245
- LED
- new