



Housing: Die-cast aluminium with cooling fins.

Diffuser: Turned anodised and polished aluminium.

Coating: Fluid-coated with a humidity resistant, UV-stabilised acrylic-resin paint.

Lampholder: Ceramic with silver-plated contacts, or polycarbonate with phosphorous bronze contacts.

Electric gear: 230V/50Hz power supply with thermal protection. Hard wire, cross section 0.50 sqmm. 2P + T terminal block (maximum allowed lead cross section 2,5 sqmm).

Electric gear: JM-E 70 version is supplied with protective lamp for open fixture use.

Regulations: Manufactured in accordance with standards EN60598 – CEI 34 –21. Degree of protection in accordance with standards EN60529.

Lamps: Supplied with compact fluorescent lamps.

Other versions: coloured versions are available on request.

There is possibility of max personalization thanks to colour variations which BELL articles offer.

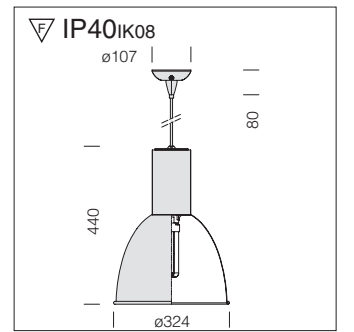
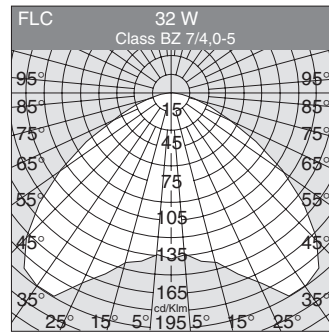


base	Watt	lamp	weight kg	colour	Code Fosnova
------	------	------	--------------	--------	-----------------

FLC-D/E
3000K
Ra=1b
26W=
1800lm

FLC-T/E
3000K
Ra=1b
31W=
4200lm
42W=
3200lm

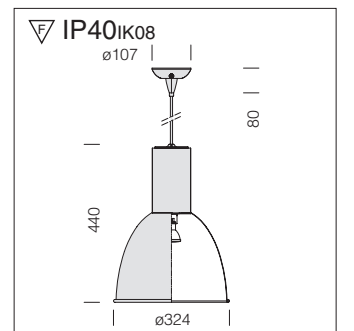
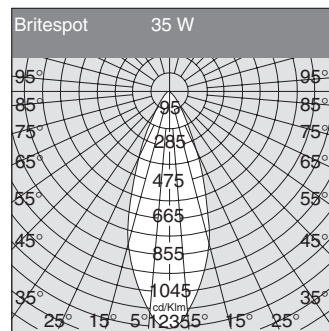
Consump.
CELL=A2



					CELL
G24q-2	1x26	FLC-D/E	2.00	alumin.	221472
Gx24q-3	1x32	FLC-T/E	2.00	alumin.	221474
Gx24q-4	1x42	FLC-T/E	2.00	alumin.	221476

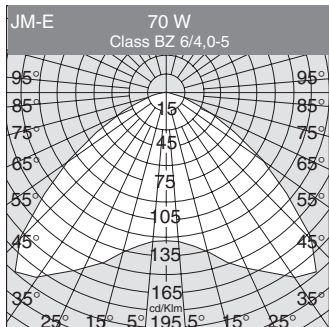
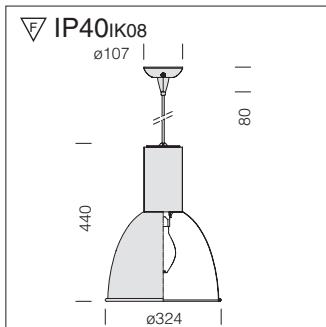
Brite
3000K
Ra=1a
4000cd

Consump.
CELL=A2



					CELL
GX10	35	Britespot	2.00	alumin.	221571

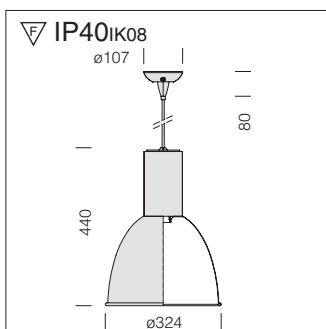
Supplied with G10-35W lamp for reduced glare.



Bell 3 **CELL**
 E27 70 JM-E 2.00 alumin. **221572**
 Supplied with protective lamp for open fixture use.



JM-E
4100K
Ra=2a
 5100lm
 L



Bell 3 - POWERLED RGB 230V **CTL**
 4x4W **LED RGB** 2.00 alumin. **221971**
 Complete with 4 led RGB modules of 4W each with beam angle 30°, and IR sensor for colour changing control. It is acquired separately, remote control cod 99022. Price on request.



LED
 4x90lm
 30°

new

Special versions with various colour choices. Prices on request.



On request: possibility of painting of the inner part of the reflector.





Housing: Die-cast aluminium.

Diffuser: anodised and polished aluminium.

Coating: Fluid-coated with a humidity resistant, UV-stabilised acrylic-resin paint.

Lampholder: Ceramic with silver-plated contacts, or polycarbonate with phosphorous bronze contacts.

Electric gear: 230-240V/50-60Hz power supply with thermal protection. Hard wire, cross section 0.50 sqmm. 2P + T terminal block (maximum allowed lead cross section 2,5 sqmm).

Electric gear: JM-E 70 version is supplied with protective lamp for open fixture use.

Regulations: Manufactured in accordance with standards EN60598 – CEI 34 –21. Degree of protection in accordance with standards EN60529.

Lamps: Supplied with discharge and fluorescent lamps.

Other versions: Coloured versions are available on request.

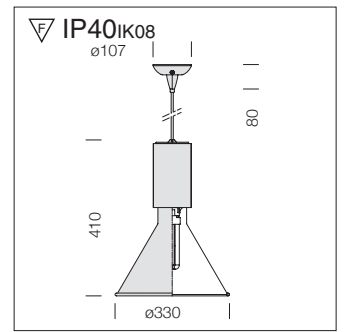
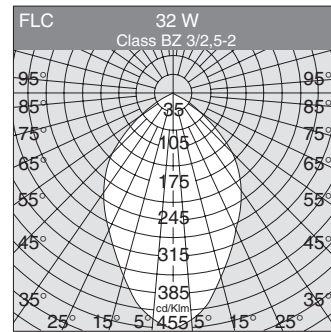


base	Watt	lamp	weight kg	colour	Code Fosnova
------	------	------	--------------	--------	-----------------

FLC-T/E
3000K
Ra=1b
32W= 4200lm
42W= 3200lm

L

Consump.
CELL=A2

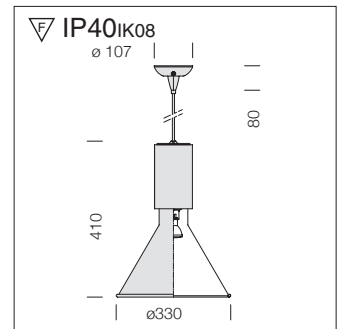
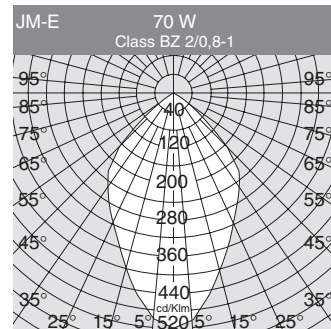


Bell 1C					CELL
Gx24q-3 1x32	FLC-T/E	2.00	alumin.		221674
Gx24q-4 1x42	FLC-T/E	2.00	alumin.		221676

Brite

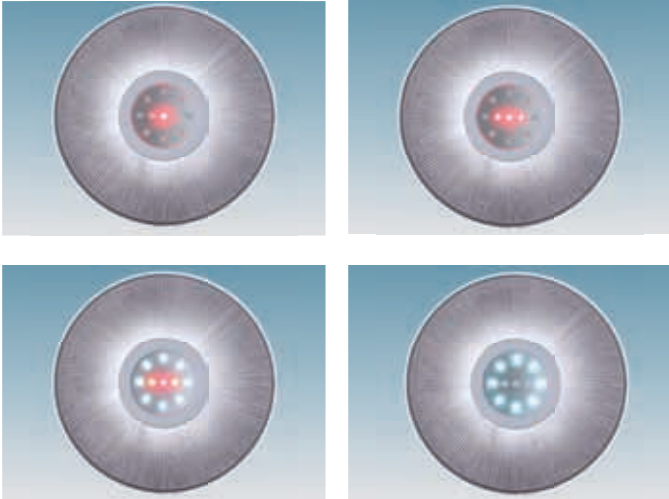
3000K
Ra=1a
4000cd

L

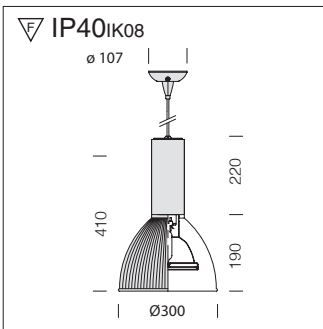


Bell 2C					CELL
GX10 35	Britespot	2.00	alumin.		221771

Bell 3C					CELL
E27 70	JM-E	2.00	alumin.		221772
Supplied with protective lamp for open fixture use.					

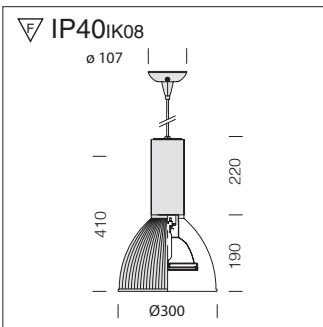


base	Watt	lamp	weight kg	colour	Code Fosnova
------	------	------	--------------	--------	-----------------



Bell 5 Cambiacolore **CELL**
 2.00 silver **221972**

Price on request. The product has been specifically designed for commercial areas, where the goods displayed may be shifted around. It comes with LED lights in different shades and a switch, which allows up to 12 different colour settings.



Bell 4 Transparent					CELL
GX12-1	100	SDW	2.00	silver	221873
Gx24q-4	1x42	FLC-T/E	2.00	silver	221874
G12	35	HCI-T	2.00	silver	221875
G12	70	HCI-T	2.00	silver	221876

Bell 4 - Transparent with POWERLED RGB 230V **CTL**
 4x4W **LED RGB** 2.00 alumin. **221970**

Complete with 4 led RGB modules of 4W each with beam angle 30°, and IR sensor for colour changing control. It is acquired separately, remote control cod 99022. Price on request.



Ford Dordrecht Concessionary - Holland



In large areas and shopping centres, the light should be agreeable to the eye, and enhance the characteristics of the products on display.

Housing: Die-cast aluminium with cooling fins.

Diffuser: Compendio G and G1: clear polycarbonate with a silk finish, metallized inside and painted outside (half reflector only in the Compendio G1 series).

Coating: Fluid-coated with a humidity resistant, UV-stabilised acrylic-resin paint.

Lampholder: Ceramic with silver-plated contacts, or polycarbonate with phosphorous bronze contacts.

Electric gear: 230-240V/50-60Hz power supply with thermal protection. Hard wire, cross section 0.50 sqmm. 2P + T terminal block (maximum allowed lead cross section 2,5 sqmm).

Regulations: Manufactured in accordance with standards EN60598 – CEI 34 –21. Degree of protection in accordance with standards EN60529.

Lamps: Supplied with discharge lamps (protected open fixture use lamp for Compendio G), and compact fluorescent lamps and SPOTLED.



base	Watt	lamp	weight kg	colour	Code "Fosnova
------	------	------	--------------	--------	------------------

FLC-T/E

4000K

Ra=1b

42W= 3200lm
57W= 4300lm

JM-E

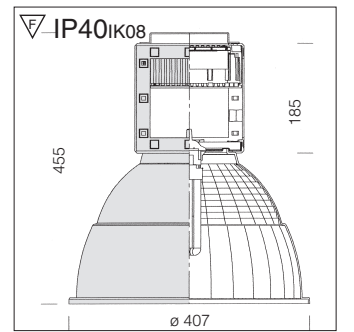
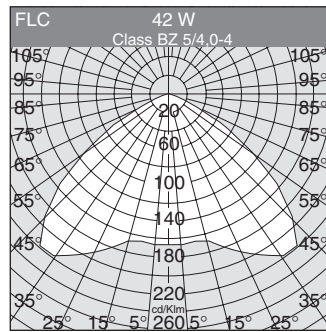
3000K

12900lm

L

Consump. CELL=A2

Consump. CELLD=A1



Compendio G					CELL
E27	150	JM-E	6.00	m. silver	221271
GX24q-4 1x42	FLC-T/E		4.00	m. silver	221272
GX24q-5 1x57	FLC-T/E		4.50	m. silver	221273

CELL-D					
GX24q-4 1x42	FLC-T/E		5.00	m. silver	221272-12

Electronic version is to be used for better visual comfort.
See Compendio accessories pag 125-126.

FLC-T/E

3000K

Ra=1b

42W= 3200lm
57W= 4300lm

JM-E

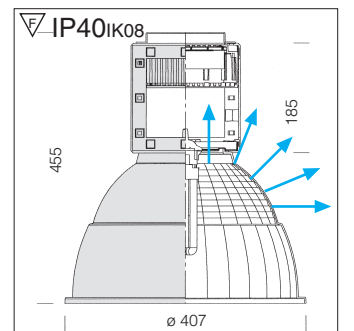
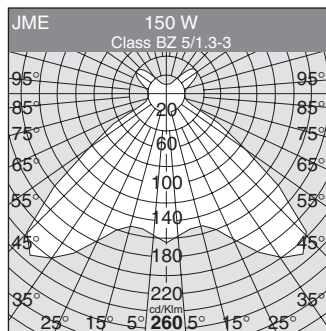
3000K

12900lm

L

Consump. CELL=A2

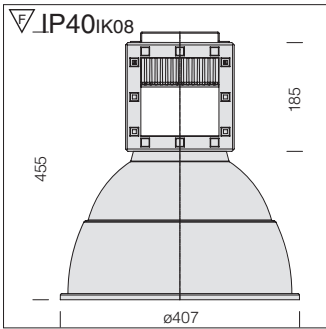
Consump. CELLD=A1



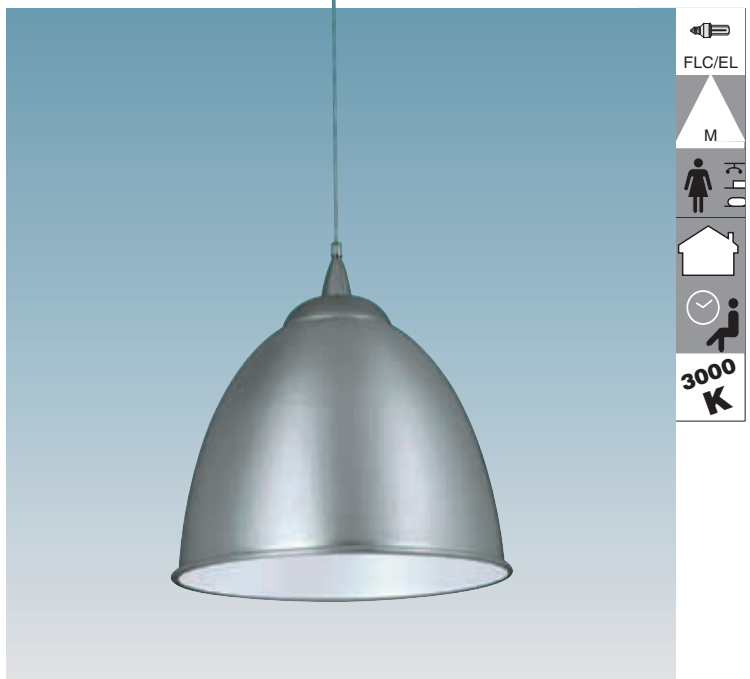
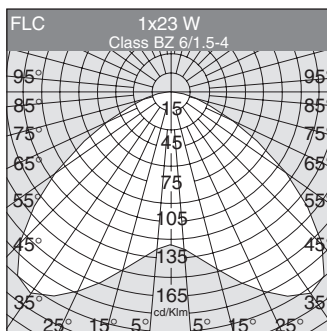
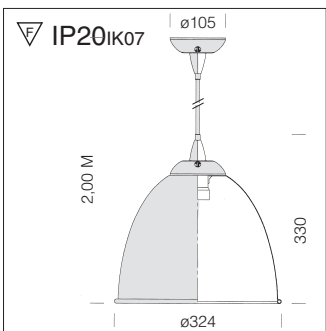
Compendio G1 - dir/ind					CELL
E27	150	JM-E	6.00	m. silver	221275
GX24q-4 1x42	FLC-T/E		4.00	m. silver	221276
GX24q-5 1x57	FLC-T/E		4.50	m. silver	221277

CELL-D					
GX24q-4 1x42	FLC-T/E		5.00	m. silver	221276-12

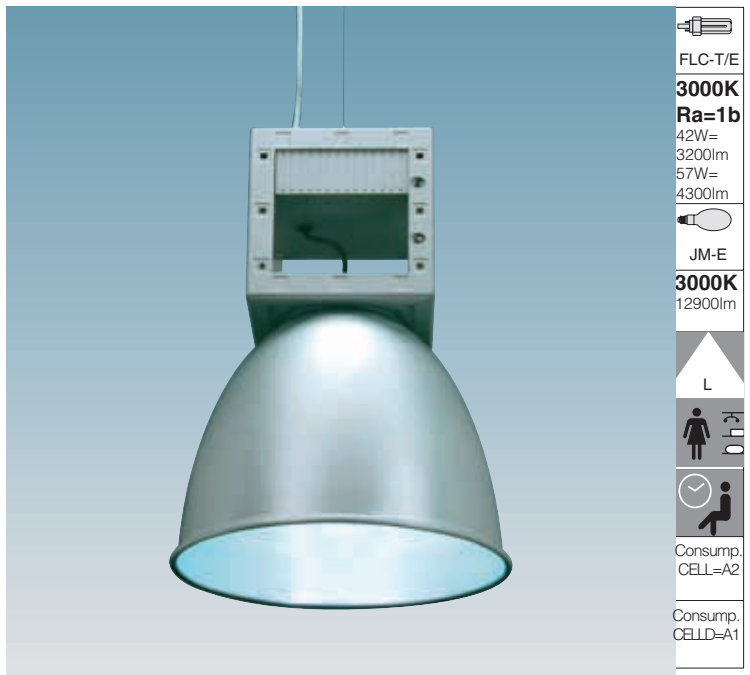
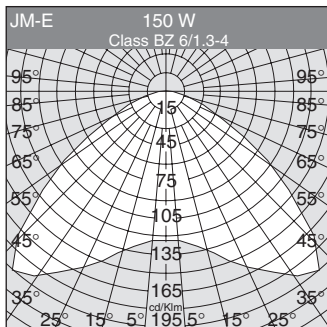
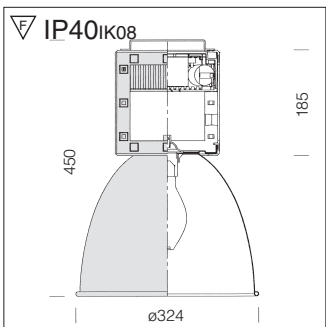
Electronic version is to be used for better visual comfort.
See Compendio accessories pag 125-126.



Compendio G1 - SPOTLED dir/ind **CTL**
 18W **SPOTLED** 6.00 m. silver **221278**
 Completed with 7 (3 whi 2600K - 3 whi 6000K - 1 amber) LED 18W tot. modules, luminous flux 530lm tot, and IR sensor for temperature colour and light changing control from 2600K to 6000K. It is acquired separately, remote control cod 99022. See Compendio accessories pag 125-126. Price on request.



Compendio S **S**
 E27 23 FLC/EL 2.00 m. silver **221376**
 Supplied with base. See Compendio accessories pag 125-126.



Compendio A **CELL**
 E27 150 JM-E 6.00 m. silver **221373**

CELL			
GX24q-4	1x42	FLC-T/E	4.00 m. silver 221374
GX24q-5	1x57	FLC-T/E	4.50 m. silver 221375
CELL-D			
GX24q-4	1x42	FLC-T/E	5.00 m. silver 221374-12

Electronic version is to be used for better visual comfort. See Compendio accessories pag 125-126.

L
 LED
 new

FLC/EL
 M
 3000 K

FLC-T/E
3000K
Ra=1b
 42W= 3200lm
 57W= 4300lm
 JM-E
3000K
 12900lm
 L
 Consump. CELL=A2
 Consump. CELLD=A1