

Barneveld Medical Center - Holland



Simple, elegant, strong, the fixtures in the Olaja, Clara and Alicia lines are all characterised by a high degree of flexibility. Their sophisticated design and luminous efficiency create evocative effects in any possible setting, and thanks to the diffused light emitted through their micro-perforated front plate they can be appropriately installed in any architectural context.

Housing: Micro-perforated pressed sheet steel. Polycarbonate end caps.
Diffuser: Internal plate made of opal polypropylene for high luminous control.

Electric gear: 230V/50Hz power supply with multipower ballast. Hard wire, cross section 0.50 sqmm, and high-temperature resistant (up to 90°C) PVC-HT sheath, in accordance with CEI 20-20 standards. 2P + T terminal block (maximum allowed lead cross section 2 sqmm).

Coating: Fluid-coated with a UV-stabilised acrylic-resin paint resistant to humidity and saline environments, after a phosphate treatment.

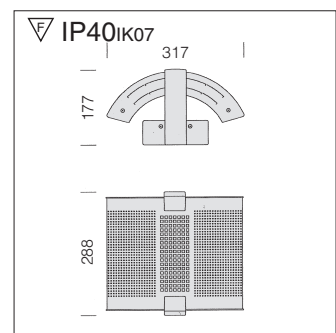
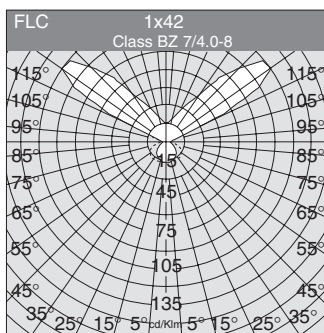
Regulations: Manufactured in accordance with EN 60598-1-CEI 34.21 standards. Degree of protection in accordance with EN60529 standards.

Lamps: Supplied with compact fluorescent lamps.



base	Watt	lamp	weight kg	colour	Code Fosnova
------	------	------	--------------	--------	-----------------

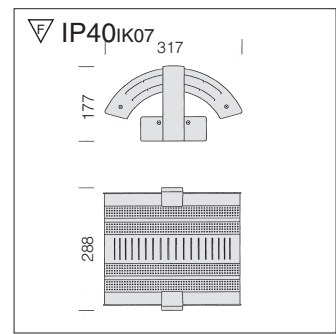
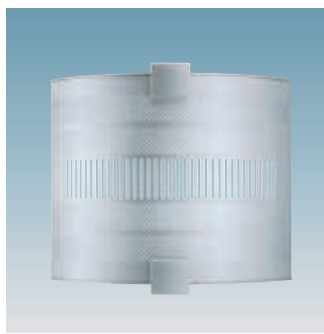
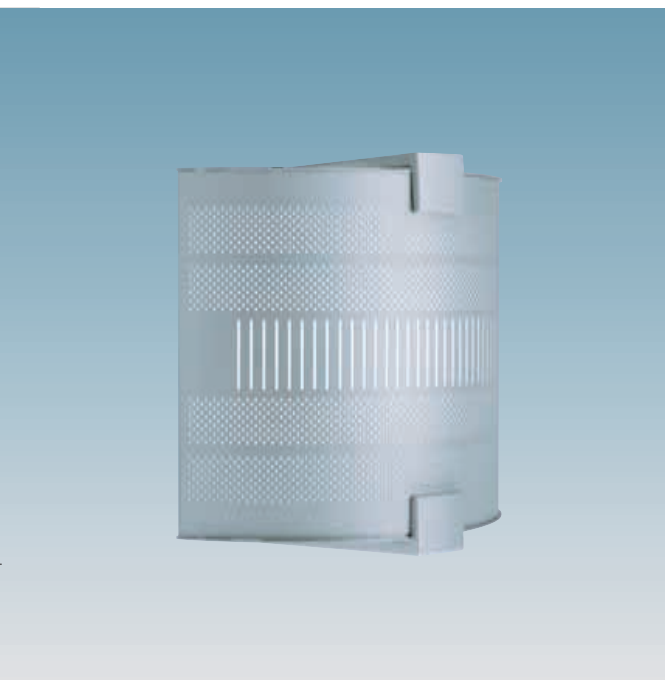
	FLC-D	3000K Ra=1b 1800lm
	FLC-T/E	3000K Ra=1b 31W=4200lm 42W=3200lm
	XL	-3 h
	Consump.	CELL=A2 CNRL=B2
	Consump.	CELLD=A1



Alicia					CNRL
GX24d-3	1x26	FLC-D	2.50	ivory grey	183681
					CNRL-E
GX24q-3	1x26	FLC-D/E	3.50	ivory grey	183681-07
					CELL
GX24q-3	1x32	FLC-T/E	2.00	ivory grey	183682
GX24q-4	1x42	FLC-T/E	2.00	ivory grey	183686
					CELL-D
GX24q-3	1x32	FLC-T/E	2.00	ivory grey	183682-12
GX24q-4	1x42	FLC-T/E	2.00	ivory grey	183686-12

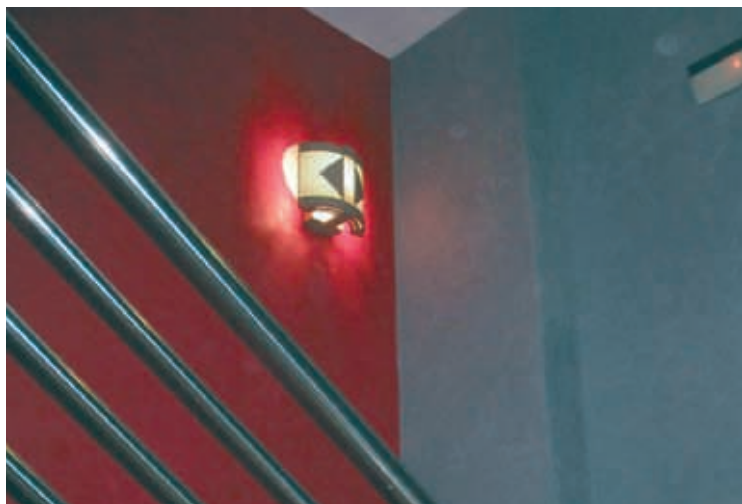
A version with 3000K FLC57T/E (4300 lm) lamp is available on request.

	FLC-D	3000K Ra=1b 1800lm
	FLC-T/E	3000K Ra=1b 31W=4200lm 42W=3200lm
	XL	-3 h
	Consump.	CELL=A2 CNRL=B2
	Consump.	CELLD=A1

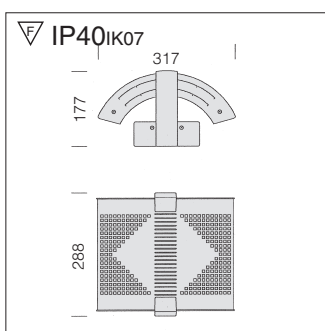


Clara					CNRL
GX24d-3	1x26	FLC-D	2.50	m. silver	183470
					CNRL-E
GX24q-3	1x26	FLC-D/E	3.50	m. silver	183470-07
					CELL
GX24q-3	1x32	FLC-T/E	2.00	m. silver	183471
GX24q-4	1x42	FLC-T/E	2.00	m. silver	183472
					CELL-D
GX24q-3	1x32	FLC-T/E	2.00	m. silver	183471-12
GX24q-4	1x42	FLC-T/E	2.00	m. silver	183472-12

A version with 3000K FLC57T/E (4300 lm) lamp is available on request.



base	Watt	lamp	weight kg	colour	Code Fosnova
------	------	------	--------------	--------	-----------------



FLC-D
3000K
Ra=1b
1800lm
FLC-T/E
3000K
Ra=1b
31W=
4200lm
42W=
3200lm
XL
-3 h
Consump. CELL=A2
CNRL=B2
Consump. CELLD=A1

Olaja					CNRL
GX24d-3 1x26	FLC-D	2.50	ivory grey		183580
					CNRL-E
GX24q-3 1x26	FLC-D/E	3.50	ivory grey		183580-07
					CELL
GX24q-3 1x32	FLC-T/E	2.00	ivory grey		183581
GX24q-4 1x42	FLC-T/E	2.00	ivory grey		183582
					CELL-D
GX24q-3 1x32	FLC-T/E	2.00	ivory grey		183581-12
GX24q-4 1x42	FLC-T/E	2.00	ivory grey		183582-12

A version with 3000K FLC57T/E (4300 lm) lamp is available on request. On request white color.

On request, option to install coloured in fills to create light effects.

