

Moditech - Milan



Incisa Valdarno (Florence)



A line of direct and indirect interior lighting fixtures for ceiling, wall or floor lamp mounting, using energy saving and T5 lamps. Due to its quick, easy installation procedure and its clean, sleek design, Soft can be used in offices, lobbies, and open-plan work environments.

Housing: Micro-perforated pressed sheet steel. Polycarbonate end caps.

Diffuser: Internal plate made of opal polypropylene for high luminous control (special version designed to resist an 850°C incandescent wire).

Coating: Fluid-coated with a UV-stabilised acrylic-resin paint resistant to humidity and saline environments

Lampholder: Polycarbonate with phosphorous bronze contacts.

Electric gear: 220-240V/50-60Hz power supply with electronic ballast. Hard wire, cross section 0.50 sqmm, and high-temperature resistant (up to 90°C) PVC-HT sheath, in accordance with CEI 20-20 standards. 2P + T terminal block (maximum allowed lead cross section 2 sqmm).

Regulations: Manufactured in accordance with EN 60598-1-CEI 34.21 standards. Degree of protection in accordance with EN60529 standards.

Lamps: Supplied with compact fluorescent lamps or T5 lamps.



base	Watt	lamp	weight kg	colour	Code Fosnova
------	------	------	--------------	--------	-----------------

FLC-L

4000K
Ra=1a
4800lm

G5

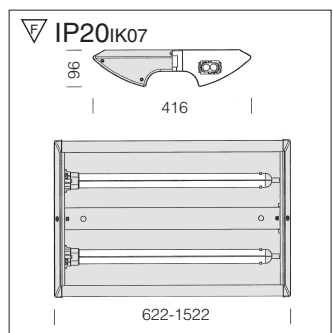
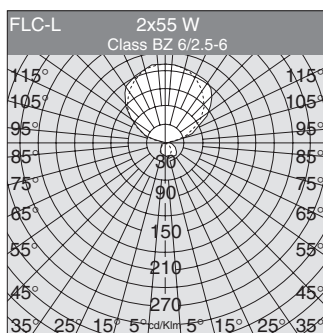
4000K
Ra=1b
6150lm

XL

-3 h

Consump.
CELL=A2

Consump.
CELLD=A1



Soft suspension					CELL
2G11	2x55	FLC-L	4,00	m. silver	183272
G5	2x80	FL-T5	5,00	m. silver	183276

CELL-D					183272-12
2G11	2x55	FLC-L	4,00	m. silver	

Suspension cable and ceiling rose included.
FL2x80-T5 version with a single ballast.

FLC-L

4000K
Ra=1a
4800lm

G5

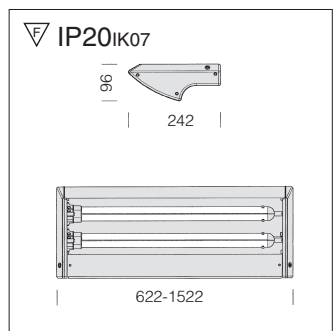
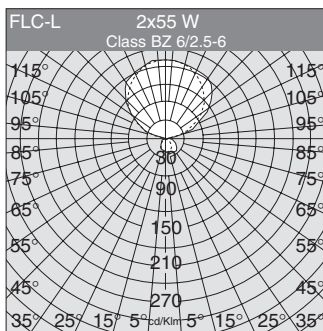
4000K
Ra=1b
6150lm

XL

-3 h

Consump.
CELL=A2

Consump.
CELLD=A1



Soft wall					CELL
2G11	1x55	FLC-L	2,00	m. silver	183073
2G11	2x55	FLC-L	2,50	m. silver	183074
G5	2x80	FL-T5	3,00	m. silver	183076

CELL-D					183073-12
2G11	1x55	FLC-L	2,00	m. silver	
2G11	2x55	FLC-L	2,50	m. silver	183074-12

FL2x80-T5 version with a single ballast.

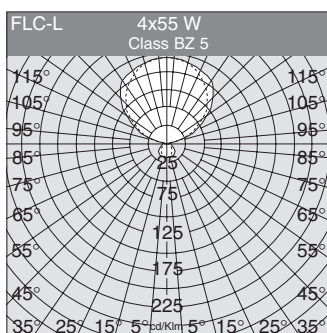
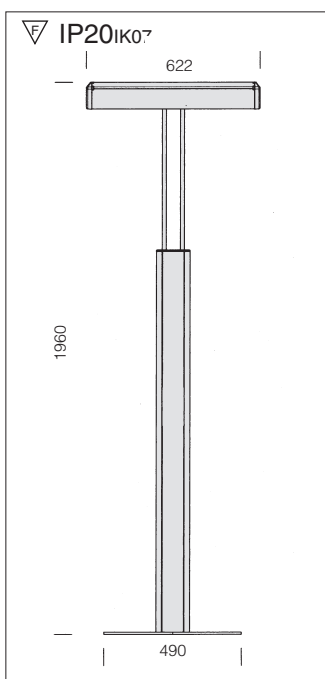
S. Cristina University - Bologna



Moditech - Milan



base Watt lamp weight colour Code
kg Fosnova



FLC-L
4000K
Ra=1a
4800lm
XL
-3 h
Consump. CELL=A2
Consump. CELL-D=A1

Soft floor					CELL
2G11	4x55	FLC-L	17,50	m. silver	183173
CELL-D					183173-12
2G11	4x55	FLC-L	17,50	m. silver	

Supplied with on/off switch. Standard version equipped with double switching. Presence detection sensor and power socket available as an option.

Cover plate
transp. 55W **5208**
transp. 80W **5210**
Plate covering half of the upper part of the housing. Covers only a half of the housing. 2 plates are required to cover the whole housing.

