



Any kind of lighting system, whether in a museum, an art gallery, an open-space office or a shop, always requires a specific design able to enhance the setting to be illuminated, and at the same to include direct as well as indirect lighting methods, so as to indicate any objects or pathways.

**Housing:** Extruded aluminium, in two versions: wall mounted, or wall/ceiling mounted (with arm).

**Reflector:** High-efficiency aluminium; the light beam in the lower portion can be modified.

**Diffuser:** Tempered glass protective shield.

**Coating:** Fluid-coated with a humidity resistant, UV-stabilised acrylic-resin paint.

**Lampholder:** Ceramic with silver-plated contacts.

**Electric gear:** 230V-50Hz power supply with traditional ballast and heat



base	Watt	lamp	weight kg	colour	Code
					Fosnova

CDM-TS

**3000K**  
Ra=1b  
13250lm

JM-TS

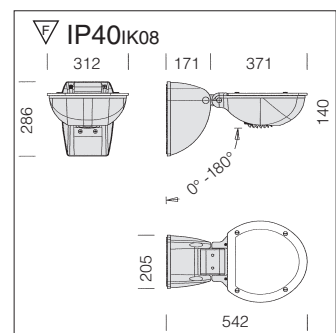
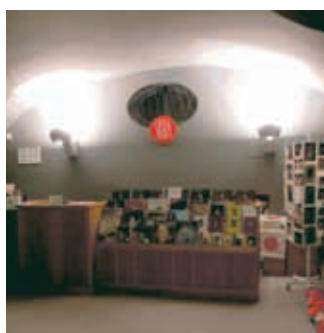
**3000K**  
Ra=1b  
22000lm

B15d

**2900K**  
2000h  
1500lm

XL

FILTER



Apollo external glass cover+screen grid					CNRL
RX7s	150	CDM-TS	10.00	m. silver	<b>49575</b>
RX7s+B15d	150+100	CDM-TS+CLA	10.00	m. silver	<b>49575-79</b>
FC2	250	JM-TS	12.00	m. silver	<b>49577</b>

Included in standard supply: acc. 91073 and clear glass

CDM-TS

**3000K**  
Ra=1b  
13250lm

JM-TS

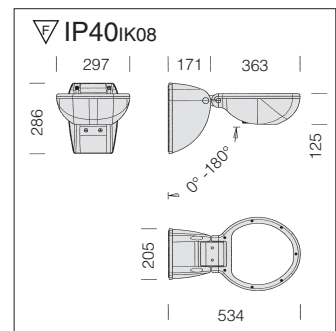
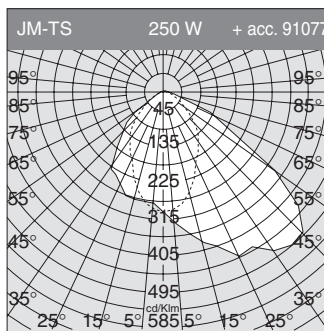
**3000K**  
Ra=1b  
22000lm

B15d

**2900K**  
2000h  
1500lm

XL

FILTER



Apollo 1 frame + grid					CNRL
RX7s	150	CDM-TS	10.00	m. silver	<b>49674</b>
RX7s+B15d	150+100	CDM-TS+CLA	10.00	m. silver	<b>49674-79</b>
FC2	250	JM-TS	12.00	m. silver	<b>49676</b>

Included in standard supply: acc. 91073 and clear glass.

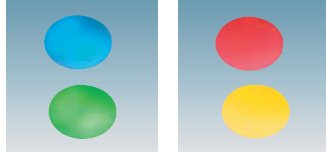
protection. Silicone wire with fibreglass braid, cross-section: 1.5 sqmm. 2P + T terminal block (maximum allowed lead cross section 2.5 sqmm).

**Regulations:** Manufactured in accordance with EN 60598-1-CEI 34.21 standards. Degree of protection in accordance with EN60529 standards.

**Coloured glass**

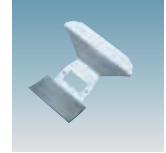
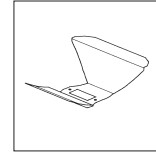
blue	5192
red	5194
green	5195
yellow	5196

To be fitted on the lower part of Apollo.



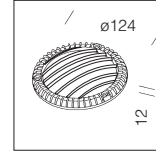
**Asymmetric reflector**

aluminium **91077**



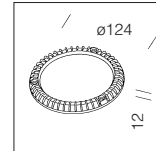
**Baffle louvre**

m. silver **91073**  
Standard supply on all versions.

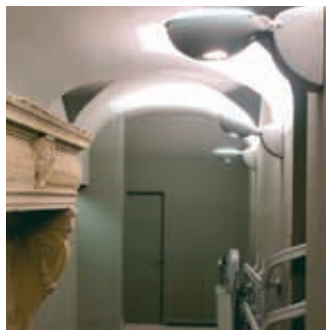
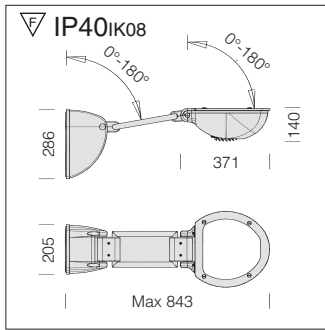


**Ring**

m. silver **91075**  
Can be applied to all versions replacing the grid.



base	Watt	lamp	weight kg	colour	Code Fosnova
------	------	------	--------------	--------	-----------------

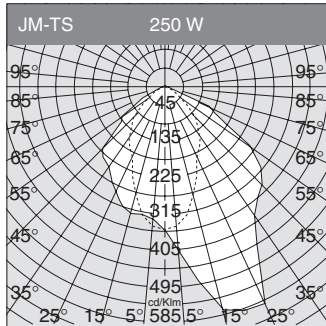
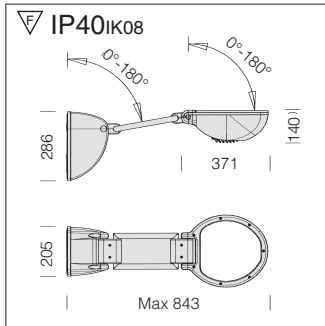


**Apollo with arm, glass cover+screen grid**

					CNRL
RX7s	150	CDM-TS	11.00	m. silver	49773
RX7s+B15d	150+100	CDM-TS+CLA	11.00	m. silver	49773-79
FC2	250	JM-TS	13.00	m. silver	49779

Included in standard supply: acc. 91073 and clear glass.

CDM-TS	<b>3000K</b>	<b>Ra=1b</b>	13250lm
JM-TS	<b>3000K</b>	<b>Ra=1b</b>	22000lm
B15d	<b>2900K</b>	<b>2000h</b>	1500lm
XL			
			FILTER



**Apollo 1 with arm, glass cover+screen grid**

					CNRL
RX7s	150	CDM-TS	11.00	m. silver	49872
RX7s+B15d	150+100	CDM-TS+CLA	11.00	m. silver	49872-79
FC2	250	JM-TS	12.00	m. silver	49878

Included in standard supply: acc. 91073 and clear glass.

CDM-TS	<b>3000K</b>	<b>Ra=1b</b>	13250lm
JM-TS	<b>3000K</b>	<b>Ra=1b</b>	22000lm
B15d	<b>2900K</b>	<b>2000h</b>	1500lm
XL			
			FILTER