



A series of fixtures for interior wall mounting with energy saving lamps and T5 lamps. Their extremely rapid and easy installation together with their simple yet elegant design, make this series of products ideal for offices, lobbies and open-space areas. Their tasteful design and luminous efficiency create lighting effects full of atmosphere.

Housing: Extruded aluminium.

Reflector: Adjustable angle matt opal polycarbonate diffuser

Lampholder: Polycarbonate with phosphorous bronze contacts

Electric gear: 230-240V/50-60 Hz power supply with traditional or electronic ballast. Hard wire, cross section 0.50 sqmm, and high-temperature resistant (up to 90°C) PVC-HT sheath, in accordance with CEI 20-20 standards. 2P + T terminal block (maximum allowed lead cross section 2.5 sqmm).

Equipment: Mounting plate separated from the electric gear tray by means of a knife switch for easy installation and maintenance.

Lamps: Complete with lamps: FLC 26D - 4000 K amalgam or high performance T5 lamps

Emergency versions: In case of black-out an only connected to emergency network lamp remains lighted on. The autonomy is 60 min. for Cover Light versions and 180 min. for Cover versions.



base	wattage/lamp. W	weight kg	colour	Code iFosnova
------	--------------------	--------------	--------	------------------

FL T5

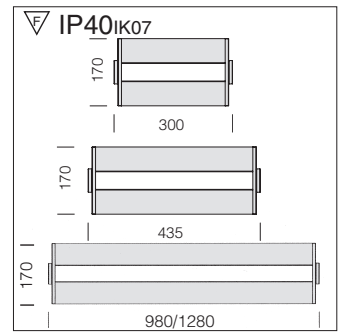
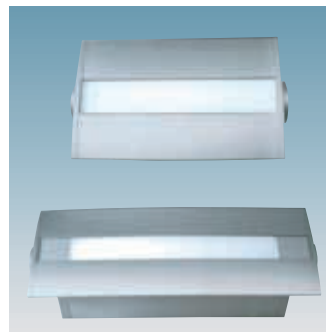
4000K
Ra=1b
21W=1200lm
28W=2600lm
39W=3500lm
54W=4450lm

FLC

4000K
Ra=1b
1800lm

L

Consump.
CELL=A2



Cover - T5

				CELL	
G5	1x21	FL-T5	3.00	silver	182370
G24q3	1x26	FLC-D/E	3.00	silver	182378
G5	1x28	FL-T5	4.00	silver	182371
G5	1x39	FL-T5	3.00	silver	182372
G5	1x54	FL-T5	4.00	silver	182373

Cover - T5 long - two-lamp

				CELL	
G5	2x21	FL-T5	3.20	silver	182374
G24q3	2x26	FLC-D/E	3.20	silver	182379
G5	2x28	FL-T5	4.20	silver	182375
G5	2x39	FL-T5	3.20	silver	182376
G5	2x54	FL-T5	4.20	silver	182377

Emergency version (3 hours).

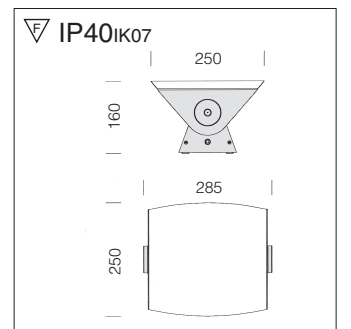
FLC

3000K
Ra=1b
1800lm

L

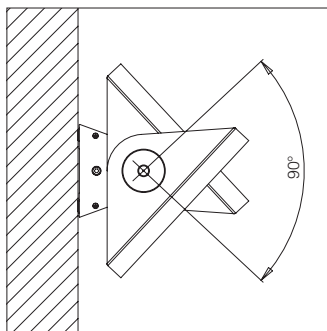
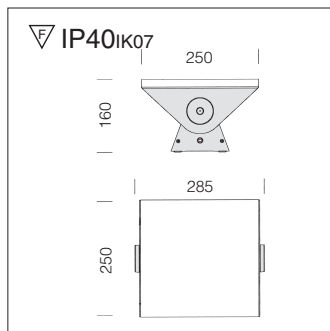
Consump.
CELL=A2

Consump.
CNRL=B2



Cover light 1 - round

				CNRL	
G24d-3	1x26	FLC-D	1.00	silver	182070
CELL					
G24q-3	1x26	FLC-D/E	1.00	silver	182070-08



Cover light 2 - square

G24d-3 1x26 FLC-D 1.00 silver

CNRL

182171

CELL

G24q-3 1x26 FLC-D/E 1.00 silver

182171-08

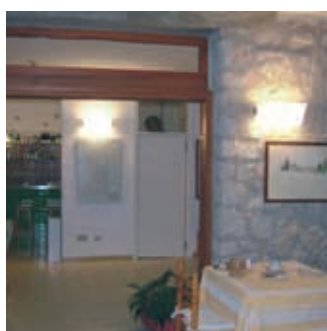
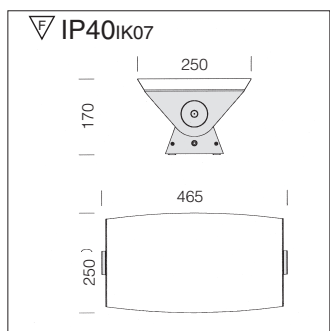


FLC

4000K
Ra=1b
1800lm

L

Consump.
CELL=A2
CNRL=B2



Cover light 3 - long round

G24d-3 2x26 FLC-D 1.50 silver

CNRL

182272

CELL-E

G24q-3 2x26 FLC-D/E 1.50 silver

182272-09

Emergency version: run time 60 min.



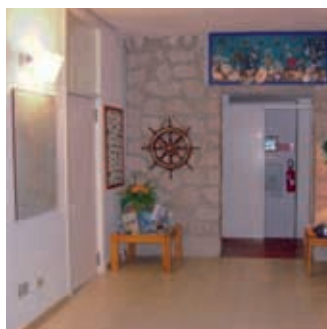
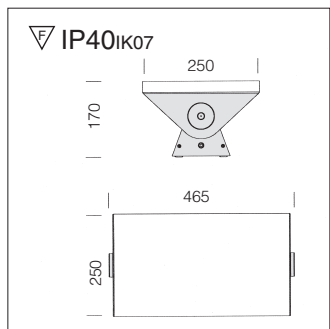
FLC

3000K
Ra=1b
1800lm

L

Consump.
CELL=A2

Consump.
CNRL=B2



Cover light 4 - rectangular

G24d-3 2x26 FLC-D 2.20 silver

CNRL

182275

CELL-E

G24q-3 2x26 FLC-D/E 2.00 silver

182275-09

Emergency version: run time 60 min.



FLC

4000K
Ra=1b
1800lm

L

Consump.
CELL=A2

Consump.
CNRL=B2