

Outer casing: made of plastic material, available in different colours, including semi-transparent shades for the LED and LED RGB versions.

Inner casing: in sheet steel, 6/10 thick, white polyester powder coating, UV stabilized. Metal silver outer edge.

Optics: Dark light double parabolic louvres, lengthwise and crosswise in high-reflection aluminium, anti-reflection and anti-iridescence multi layer PVD treatment, very low luminance.

Lampholder: In polycarbonate, with phosphor bronze contacts.

Electric gear: 230-240V/50-60Hz power supply. Hard wire, cross-section 0.5 sq mm and 90° resistant PVC-HT sheath, according to CEI 20-20 standards. A double terminal block with plug-socket connector powers spot modules, maximum allowed lead cross-section: 2.5 sq mm.

Lamps: T5 lamp, 4000°K, high performance, high luminous efficiency; standard Corner 160 spot supplied. Lotus spot versions are available upon request.

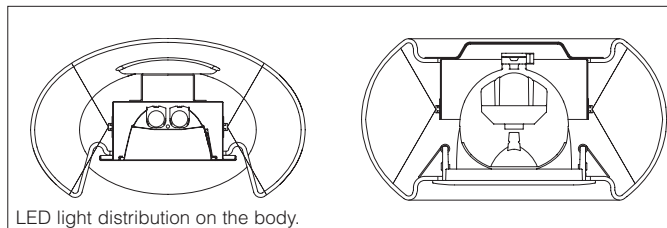
Regulations: manufactured in compliance with EN60598-1 CEI 34/21 standards. Protection levels comply with EN60529 standards.

Other versions:

Emergency versions: In maintained version (permanently on). In the event of a "black-out", a single lamp connected to the back-up circuit stays on. Run time 180 minutes.

Version with transformer: The electronic transformer 220-12V powers low tension spot modules.

LED version: Electronic transformer 24V 20W. Available upon request in different shades of white (6500,5400,4700°K) or with coloured LED lights (yellow, blue, green and red) or RGB.



LED light distribution on the body.



base	Watt	lamp	weight kg	colour	Code Fosnova
------	------	------	--------------	--------	-----------------

FL

4000K
Ra=1b
2600lm

AR 70

4000K
2000h
900lm

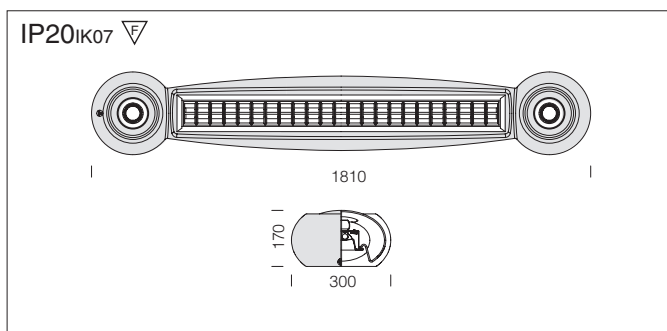
DICR-ALU

3000K
3000h
1800cd

12
230

Consump.
CELL=A2

new



Navigator 1 - version with SPOT 12V

					CELL-T
G5+B15-d	1x28FL	1+1x50W AR70	11,00	white	212010
G5+GU5,3	1x28FL	1+1x50W ALU	11,00	white	212011
G5+B15-d	2x28FL	1+1x50W AR70	11,00	white	212015
G5+GU5,3	2x28FL	1+1x50W ALU	11,00	white	212016

					CELL-D
G5+B15-d	1x54FL	1+1x50W AR70	11,00	white	212013-12
G5+GU5,3	1x54FL	1+1x50W ALU	11,00	white	212014-12
G5+B15-d	2x54FL	1+1x50W AR70	11,00	white	212017-12
G5+GU5,3	2x54FL	1+1x50W ALU	11,00	white	212018-12

FL and SPOT are supplied with double switching mode.

FL

4000K
Ra=1b
2600lm

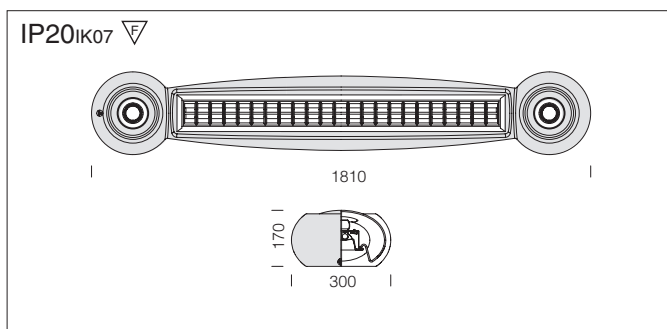
DICR-ALU

3000K
3000h
1800cd

12
230

Consump.
CELL=A2

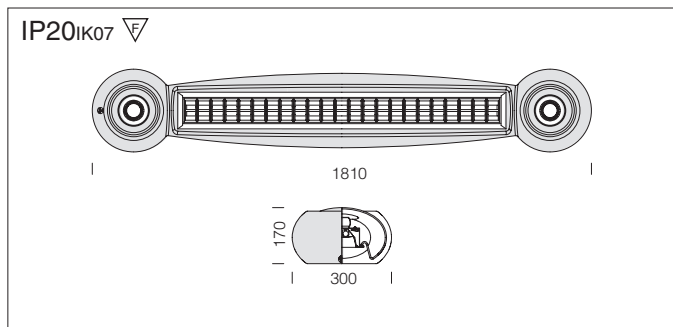
new



Navigator 2 - 3h emergency version - SPOT 230V

					CELL-E
G5+GU10	1x54FL	1+1x50W ALO	11,30	white	212110
G5+GU10	2x54FL	1+1x50W ALO	11,30	white	212111

FL and SPOT are supplied with double switching mode.



Navigator 3 - version with SPOT 230V and LED strip **CELL-T**

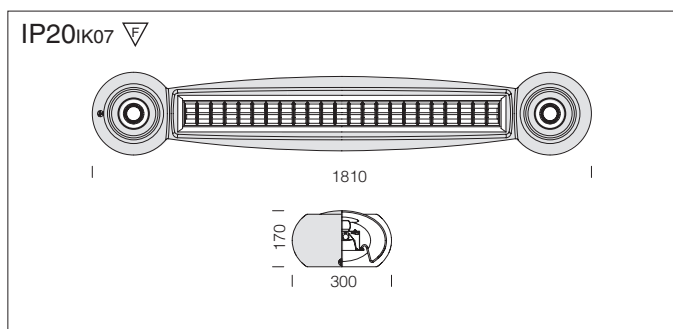
G5+GU10	1x28FL	1+1x50W	ALO	11,00	white	212212
G5+GU10	2x28FL	1+1x50W	ALO	11,00	white	212213

CELL-D

G5+GU10	1x54FL	1+1x50W	ALO	11,00	white	212214-12
G5+GU10	2x54FL	1+1x50W	ALO	11,00	white	212215-12

Semi-transparent opal housing. Completed with white LED strips 5400K (available upon request: 4700K - 6500K) at 30,8W tot.

Version with coloured LED lights (yellow, blue, green, red) of 26,4W tot. are supplied on request. FL + SPOT and LED are supplied with double switching mode. Price on request.



Navigator 4 - version with SPOT 230V and LED RGB strip **CELL-T**

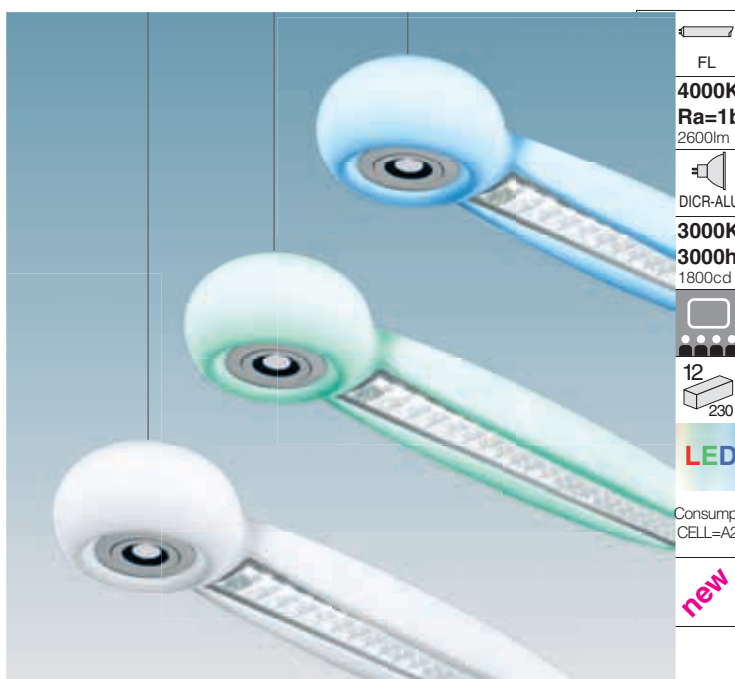
G5+GU10	1x28FL	1+1x50W	ALO	11,30	white	212314
G5+GU10	2x28FL	1+1x50W	ALO	11,30	white	212315

CELL-D

G5+GU10	1x54FL	1+1x50W	ALO	11,30	white	212316-12
G5+GU10	2x54FL	1+1x50W	ALO	11,30	white	212317-12

Semi-transparent opal housing. Completed with LED RGB strips of 53,9W tot. and integrated with colour control module.

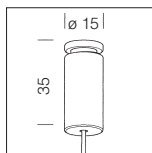
FL + SPOT and LED RGB are supplied with double switching mode. On request it can be acquired with IRE receiver and remote control. Price on request.



Other colours versions are available on request

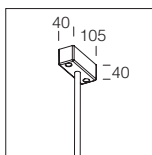
Suspension

nickel **3166**
Supplied with steel wire (l=1,75m) and millimetre adjustment device. Max load: 20 kg.



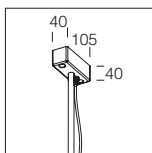
Suspension with wire

50 cm **3176**
Completed with steel wire and millimetre adjustment device. Max load: 20 kg.



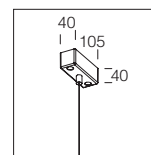
Powered suspension with wire

50 cm **3174**
Supplied with steel wire and millimetre adjustment device and power cord. Max loading: 20Kg.



Suspension with rods

100 cm **3177**
Completed with rods. Max loading: 30Kg. ø10 mm.



Powered suspension with rods

100 cm **3175**
Completed with power cord and rods. Max loading: 30Kg. ø10 mm.

