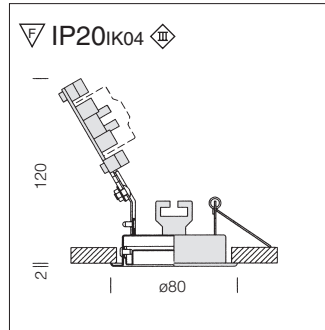
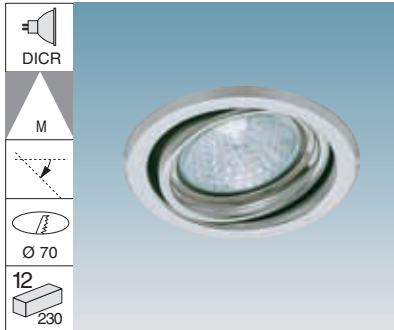




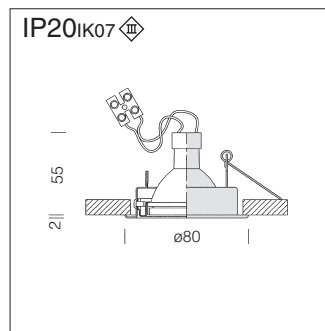
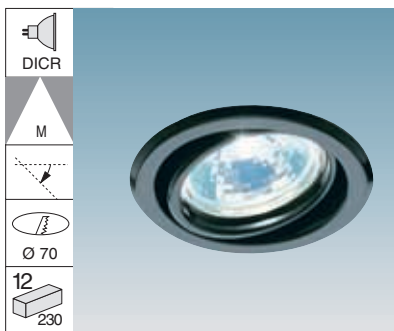
base	Watt	lamp	weight kg	colour	Code Fosnova
------	------	------	--------------	--------	-----------------



Janus 12 Volt without lamp

base	Watt	lamp	weight kg	colour	Code Fosnova
GX5,3	50	DICR	0,2	white	62018
GX5,3	50	DICR	0,2	black	62038
GX5,3	50	DICR	0,2	m. silver	62078
GX5,3	50	DICR	0,2	chrome	62068
GX5,3	50	DICR	0,2	pol. brass	62098

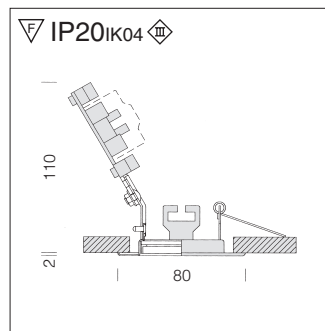
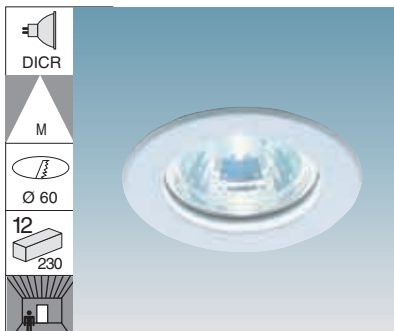
Without lamp and transformer.



Janus extra CEE

base	Watt	lamp	weight kg	colour	Code Fosnova
GX5,3	50	DICR	0,3	white	62215
GX5,3	50	DICR	0,3	black	62235
GX5,3	50	DICR	0,3	chrome	62265
GX5,3	50	DICR	0,3	pol. brass	62295

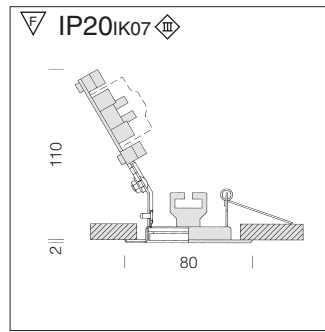
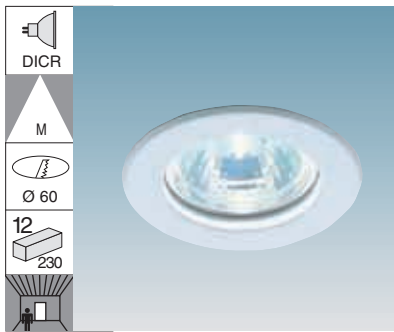
Includes lampholder, two-pole terminals and lamp-holding spring. Packed in separate bags and then in 50-piece boxes.



Deimos without lamp

base	Watt	lamp	weight kg	colour	Code Fosnova
GX5,3	50	DICR	0,2	white	64017
GX5,3	50	DICR	0,2	black	64039
GX5,3	50	DICR	0,2	m. silver	64079
GX5,3	50	DICR	0,2	chrome	64067
GX5,3	50	DICR	0,2	pol. brass	64099

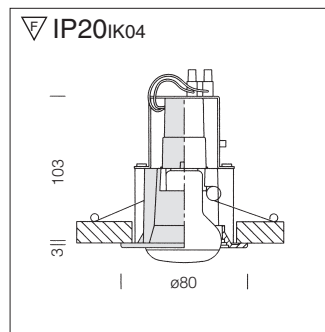
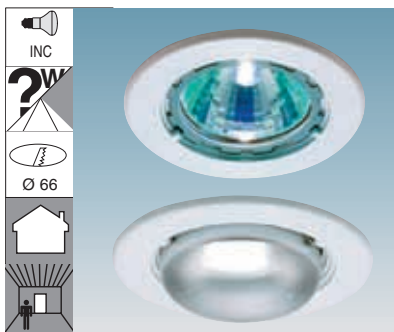
Without lamp and transformer.



Deimos extra CEE

base	Watt	lamp	weight kg	colour	Code Fosnova
GX5,3	50	DICR	0,3	white	63915
GX5,3	50	DICR	0,3	black	63935
GX5,3	50	DICR	0,3	chrome	63965
GX5,3	50	DICR	0,3	pol. brass	63995

Includes lampholder, two-pole terminals and lamp-holding spring. Packed in separate bags and then in 50-piece boxes.



Sirio 12 Volt without lamp

base	Watt	lamp	weight kg	colour	Code Fosnova
GX5,3	50	DICR	0,2	white	64116
GX5,3	50	DICR	0,2	black	64101
GX5,3	50	DICR	0,2	chrome	64164
GX5,3	50	DICR	0,2	pol. brass	64191
GX5,3	50	DICR	0,2	gold	64185

Without lamp. Brands only with lamp code ILCOS HAG/LP50-12-GU5,3-51/38-10.

Sirio

base	Watt	lamp	weight kg	colour	Code Fosnova
E14	40	INC	0,3	white	63814
E14	40	INC	0,3	black	63808
E14	40	INC	0,3	chrome	63862
E14	40	INC	0,3	pol. brass	63898
E14	40	INC	0,3	gold	63883

Without lamp.

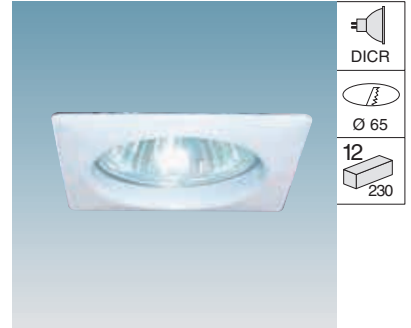
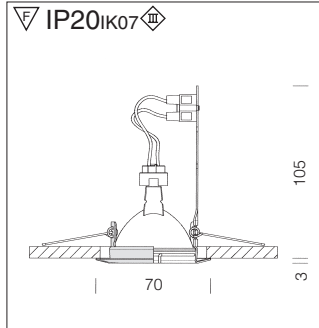
base	Watt	lamp	weight kg	colour	Code Fosnova
------	------	------	--------------	--------	-----------------



Iria 12 volt **S**

GX5,3	50	DICR	0,1	white	62414
GX5,3	50	DICR	0,1	brass	62492
GX5,3	50	DICR	0,1	silver	62475
GX5,3	50	DICR	0,1	chrome	62463

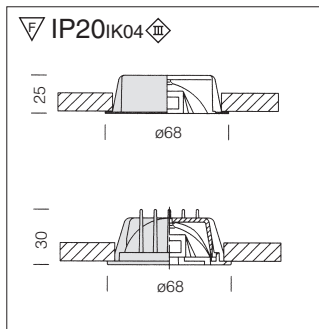
For false ceiling from 1 to 12 mm.



Marte **S**

G4	20	ALO	0,1	white	61911
G4	20	ALO	0,1	black	61905
G4	20	ALO	0,1	chrome	61963
G4	20	ALO	0,1	pol. brass	61996

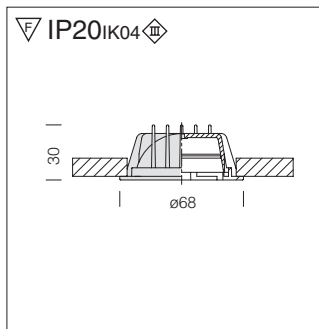
Housing in prepainted sheet steel.



Marte **S**

G4	20	ALO	0,1	white	61812
G4	20	ALO	0,1	black	61803
G4	20	ALO	0,1	chrome	61863
G4	20	ALO	0,1	pol. brass	61896

Housing in die-cast zamak



Marte with LED White and glass **S**

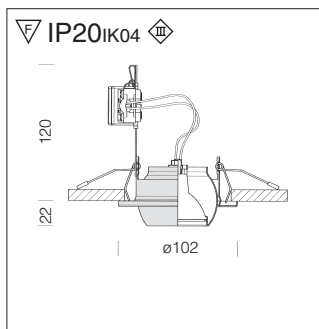
LED	White	0,1	white	61815
LED	White	0,1	black	61805

Marte equipped with signal LED and die-cast ring; tempered lenticular glass. (acc. 94032)



Luna 12v **S**

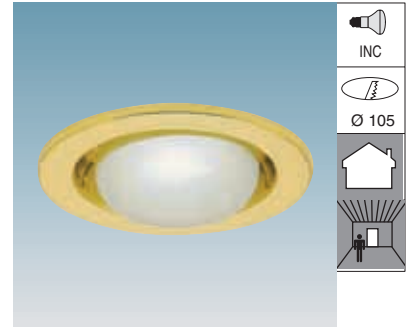
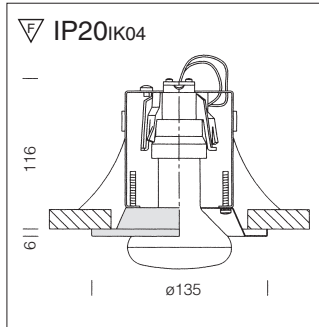
GX5,3	50	DICR	0,3	white	63112
GX5,3	50	DICR	0,3	silver	63172
GX5,3	50	DICR	0,3	chrome	63163
GX5,3	50	DICR	0,3	gold	63196



Andromeda **S**

E27	100	INC	0,3	white	69018
E27	100	INC	0,3	black	69003
E27	100	INC	0,3	chrome	69066
E27	100	INC	0,3	nic. brass	69072
E27	100	INC	0,3	pol. brass	69093

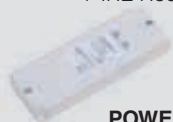
Recessed lamp. Steel and polished brass ring. Lamp not included.



POWERLED RGB CONNECTIONS

BASE SYSTEM CODE 90870

Power supply + Master
+ IRE Receiver



POWER SUPPLY



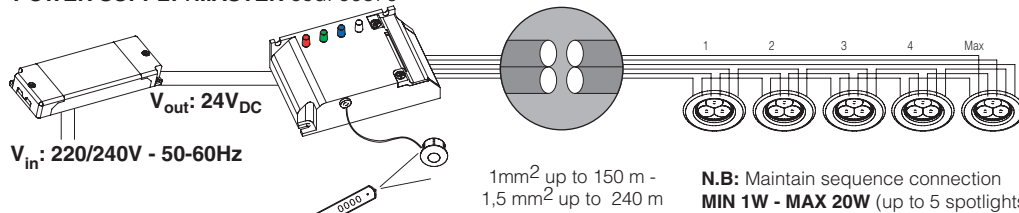
MASTER



REMOTE CONTROL

Three-channel professional colour control module for LED RGB. Separate dimmable function is available for each channel, using a special potentiometer (or push-button), or an IRE remote control (code 99020). Three variable colour programmes can be selected through a special button. In case of a power cut it is also available colour/programme memorization when the light is switched off. Total power of the LED modules 15W/channel.

POWER SUPPLY+MASTER cod. 90870



V_{in} : 220/240V - 50-60Hz

1mm² up to 150 m -
1,5 mm² up to 240 m

N.B: Maintain sequence connection
MIN 1W - MAX 20W (up to 5 spotlights)

REMOTE CONTROL cod. 99020

Remote control code Fosnova

99020

For on/off switching and to regulate colour change programs.

INFORMATION ON REMOTE CONTROL USE:

The working range varies according to the type of environment; however, the remote control works on fully charged batteries at a distance of up to 10 m in obstacle-free open spaces. Infrared beams also penetrate through ordinary glass, except for special infrared proof glass.

POWERLED RGB CONNECTIONS

CODE 90871

Power supply + Slave
to be purchased to use other 5
spotlights in sync. mode with
MASTER



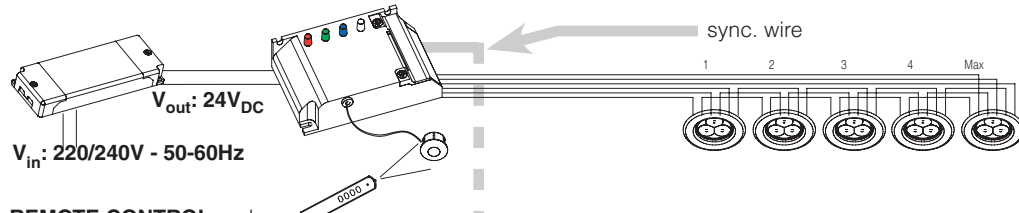
POWER SUPPLY



SLAVE

Three-channel professional colour control module for LED RGB. It is necessary to acquire a power supply and SLAVE (cod. 90871) to use 5 more spotlights in sync with the MASTER. Can be operated using 1 MASTER and 99 SLAVES.

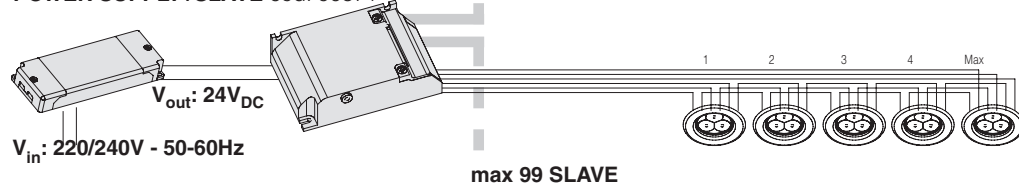
POWER SUPPLY+MASTER cod. 90870



V_{in} : 220/240V - 50-60Hz

REMOTE CONTROL cod. 99020

POWER SUPPLY+SLAVE cod. 90871



V_{in} : 220/240V - 50-60Hz

max 99 SLAVE

POWERLED RGB CONNECTIONS

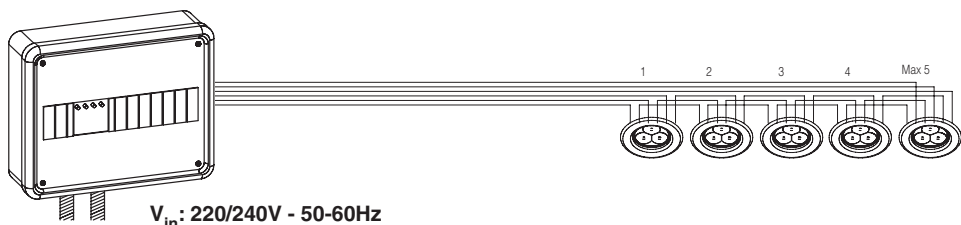
KIT1 CODE 90872

1 Master, 1 Power supply,
IRE Receiver and a terminal
block for the network connection



REMOTE CONTROL

Supplied with 1 pre-wired plate to be inserted in the IP65 box to power 5 LED RGB lights in sync. The IRE remote control can be purchased separately (cod. 99020).

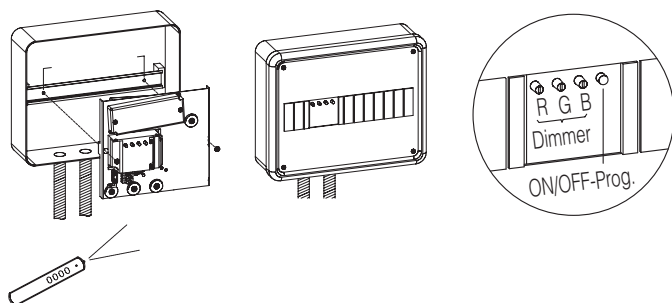


V_{in} : 220/240V - 50-60Hz

Remote control code Fosnova

99020

For on/off switching and to regulate colour change programs.



KIT2 CODE 90873

- 1 Master, 1 Slave, 2 power supply packs
- 1 IRE receiver and one terminal block



REMOTE CONTROL

Supplied with 1 pre-wired plate to be inserted in the IP65 box to power 10 LED RGB lights in sync. The IRE remote control can be purchased separately (cod. 99020).

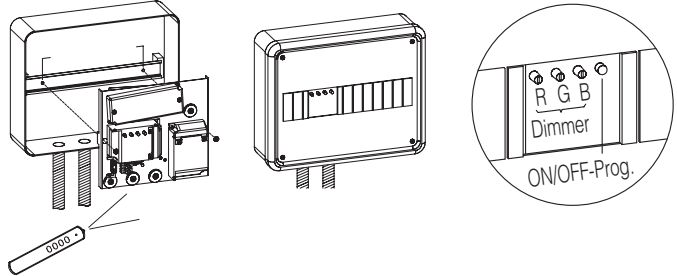


V_{in} : 220/240V - 50-60Hz

Remote control code Fosnova

99020

For on/off switching and to regulate colour change programs.



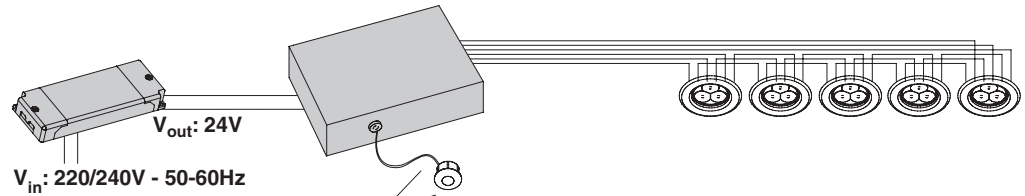
PROFESSIONAL SYSTEM PLUS MASTER/SLAVE CODE 90875

- 1 Master/Slave, 1 ballast, 1 IRE receiver

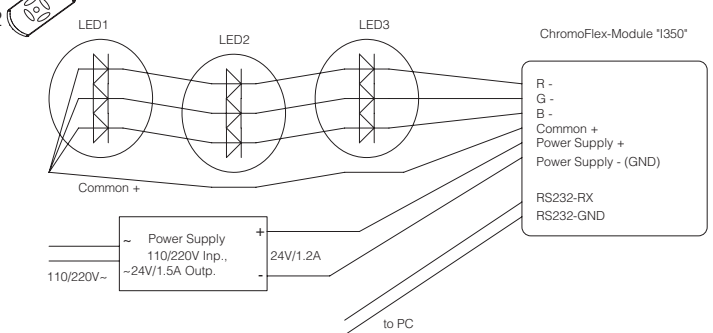
- can mix light colours;
- 8 pre-loaded automatic settings;
- can be programmed using a software;
- can be controlled using 4 open push-buttons;
- can be remote controlled, code 99022, supplied separately



Fully equipped system. It includes a Master/Slave (allows both solutions), a ballast and an IRE receiver; it powers up to 5 RGB spotlights if used as a Master and up to additional 5 RGB spotlights if used as a Slave.



REMOTE CONTROL cod. 99022



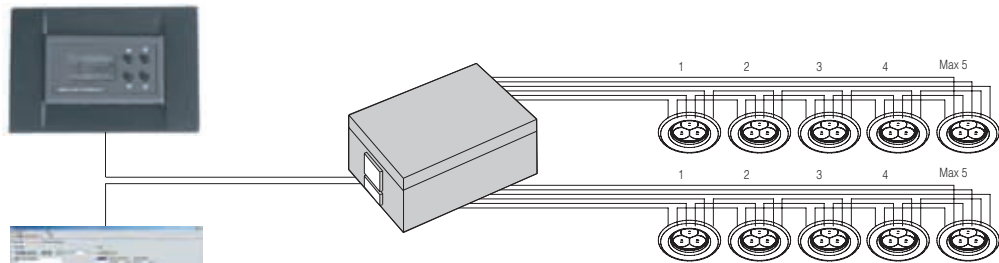
IP65 DMX SYSTEM CODE 90876

- can mix light colours;
- unlimited programme selection option;
- can be programmed using a DMX management software;
- can be programmed using a LED D.O.P. controller, code 90867.

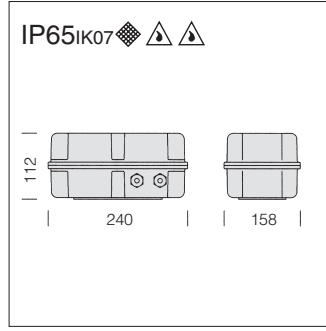


The DMX system powers up to 10 RGB spotlights equipped with power supply in sync, using a D.O.P. controller, code 90867, or a DMX software management system.

CONTROLLER LED D.O.P cod 90867



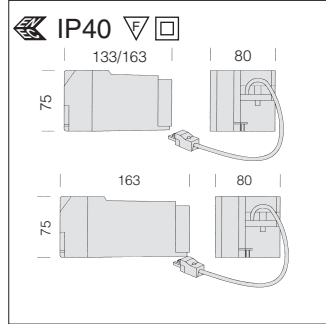
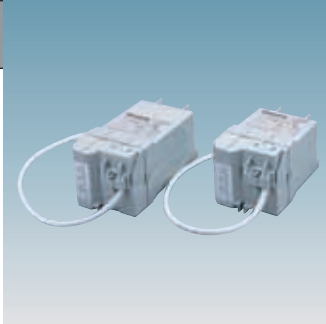
SOFTWARE DMX



Waterproof box Δt 65

				CNR
70	JM	2.70	black	92010
150	JM	3.70	black	92020

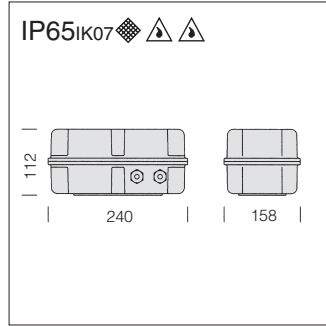
Completed with igniter, ballast, capacitor and terminal block.



Box Δt 50

				CNR
35W	JM/CDM	1.20	white	92001
70W	JM/CDM	1.70	white	92011
150W	JM/CDM	2.50	white	92021

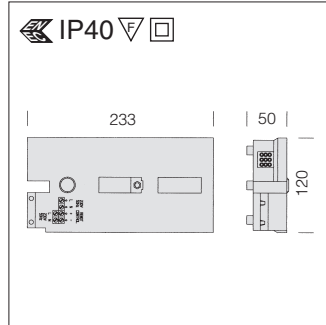
Thermoplastic box V0. T_c ≤ 95°C when it normally works, T_c ≤ 105° in malfunction condition. Completed with igniter, ballast, capacitor, 3-poled terminal block and thermal protection.



Waterproof emergency box

				CN-E
18	1	4.00	black	92040

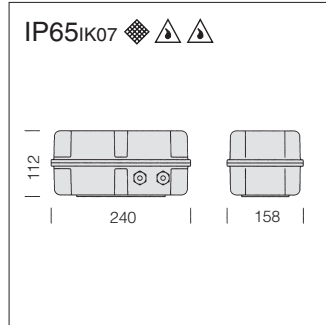
Completed with batteries and inverter, in case of "black-out" the connected lamp remains on, preventing in this way difficulties caused by sudden lack of illumination.



Emergency box

				CN-E
18/26W	1 h.	2.00	white	92041

Completed with batteries and inverter, in case of "black-out" the connected lamp remains on, preventing in this way difficulties caused by sudden lack of illumination. It is also available for electronic version cod. 92044.



Waterproof emergency box

				CN-E
26	3h	5.00	black	92042

Completed with batteries and inverter, in case of "black-out" the connected lamp remains on, preventing in this way difficulties caused by sudden lack of illumination.

Waterproof emergency box

				CN-E
26	1h	4.00	black	92043

Completed with batteries and inverter, in case of "black-out" the connected lamp remains on, preventing in this way difficulties caused by sudden lack of illumination.

Electronic dimm. transformer

220-230V	250W	black	90852
220-230V	250W	white	90854
220-240/12V	60W	0.10	90816
220-240/12V	70W	0.10	90818
220-240/12V	105W	0.15	90826
220-240/12V	150W	0.30	90836
220-240/12V	200W	0.45	90847

Electronic dimm. transformer.

CODE	B	H	L
90852	54	45	222
90854	54	45	222
90816	31	20	94
90818	50	35	109
90826	50	35	109
90836	54	36	153
90847	49	38	163



Power supply D.C. for LED

220-240V/12V	20W	0.10	90838
--------------	-----	------	--------------

Power supply for LED

	LED	CNR	
220-240V-350mA-4W	white	90832	
220-240V-700mA	white	90835	
220-240V-350mA-17W	white	90837	
220-240V/24V	white	90839	

CODE	B	H	L
90838	40	25	165

CODE	B	H	L
90832	37	25	121
90835	35	20	112
90837	45	25	110
90839	55	19	145



Box IP67 for LED

220-240V/12V	70W LED	black	92035
--------------	---------	-------	--------------

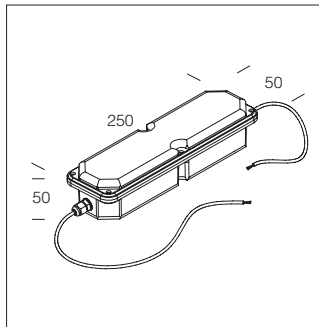
Operation exit to power articles

- Beta dichro-powered pag. 247
- Luna 3/4 dichro-powered pag. 252

Box IP67 for LED

220-240V/24V	70W LED	black	92036
--------------	---------	-------	--------------

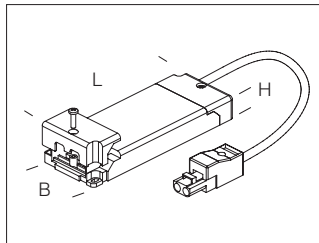
Operation exit to power MASTER/SLAVE version 24V.



Electronic power supply

35W	JM/CDM	white	92012
70W	JM/CDM	white	92013
150W	JM/CDM	white	92014

Completed with wire+2-poled plug for a lamp side.

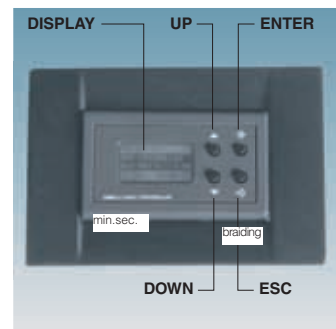


CODE	B	H	L
92012	83	32	155
92013	83	32	155
92014	88	39	190

LED D.O.P. CONTROLLER:

Controller D.O.P. cod 90867 Fosnova. Display LED operates in four numbers with rapid buttons selection for simple and fast programming.

CONTROLLER USAGE:
 BUTTONS UP and DOWN: they allow highlighting one of the fields displayed, or either increasing or decreasing the value of the field selected.
 ENTER BUTTON: if pressed when the field highlighted is a submenu, the button will allow access to the submenu; if pressed when the field highlighted is a datum, it will confirm the value of that field. ESC BUTTON: return to previous menu. The LED D.O.P. CONTROLLER device works under one of the following modes: - Automatic / Timer - Colours;

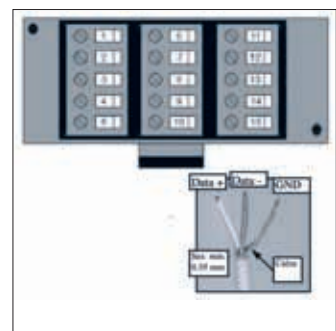


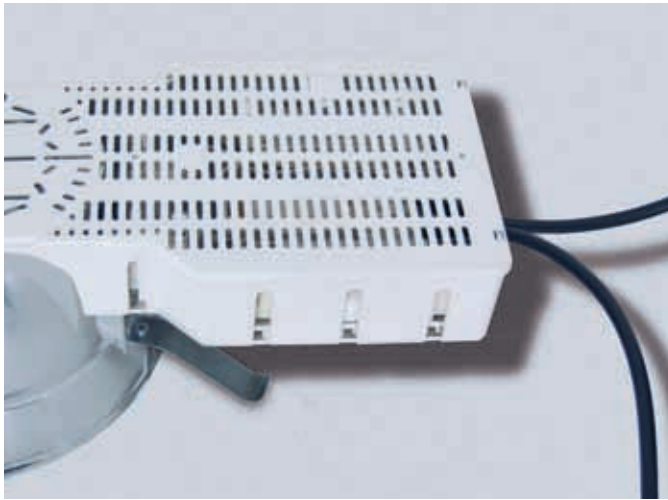
Electrical connection scheme:

Lo schema seguente riproduce il collegamento alle morsettiere sul retro del controller.

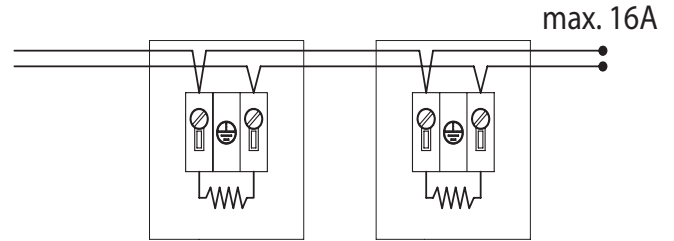
- | | |
|------------------------------------|-----------------------------|
| Pin 1: n.c. | Pin 10: analogue output GND |
| Pin 2: n.c. | Pin 11: power supply 12V AC |
| Pin 3: DMX outlet data + | Pin 12: power supply 12V AC |
| Pin 4: DMX outlet data - | Pin 13: n.c. |
| Pin 5: DMX outlet GND | Pin 14: n.c. |
| Pin 6: analogue output 0-10V ch4 | Pin 15: n.c. |
| Pin 7: analogue output 0-10V ch3 | |
| Pin 8: analogue output 0-10V ch2 | |
| Pin 9: analogue output 0-10V ch1a; | |

Wire for DMX transmission: utilize 2-poles screened wire + GND braiding





“**LOOP-IN**” refers to a connection system to the mains power supply of two or more lighting fixtures, where each conductor comes in and out of the same terminal. (see drawing)
 Office comes with a range of terminals, enabling fitters to plug the power supply cable into the internal electrical circuit through automatic wire clamps.
 The rated current of the loop-in terminal is set at **16A** for these connections.



The range of Fosnova products with “**loop-in**” connection are:

Serial Fosnova articles	Fosnova articles on request
Service	Energy
Office 2-3-4	Energy2000
Kent2/3	Shell
Metis3	Euro 2 /3
Lex	Argostar1 (CELL versions)
Euro 1-4 (CELL versions)	Metis 1-2
Milano FLC (CELL versions)	Mac 2
Rond	Compendio 1/2/led
Carrè	King

EQUIPMENT WITH GST18i PLUGS

In order to optimise product installation times and servicing, Fosnova can supply products fitted with the following gear upon request:

- PVC cable H05V2V2-F3G1,5 and 3 pole plug GST18i3
 - PVC cable H05VV-F5G1,5 and 5 pole plug GST18i5
- for connection to systems already fitted with a socket.

The range of Fosnova products supplied upon request with this gear are:

Plug preset Fosnova articles	
Service	Euro 2-3
Office 2-3-4	Argostar 1 (CELL versions)
Kent 2-3	Metis 1-2
Metis 3	Mac 2 (FLC versions)
Lex	Compendio 1-2-led
Euro 1-4 (CELL versions)	Corner
Milano FLC (CELL versions)	Corner160
Rond	Lotus
Carrè	Delta
Energy-Energy2000	Fix 2
Shell	



Equipped with:

- PVC cable H05V2V2-F3G1,5 (the length of the outlet cable varies from 0.5 to 1-2-3 m);
 - 3 pole plug GST18i3
- for connection to the system already fitted GST18i with a socket.



Equipped with:

- PVC cable H05VV-F5G1,5 (the length of the outlet cable varies from 0.5 to 1-2-3 m);
 - 5 pole plug GST18i5
- can be used with boxes or emergency equipment, and for connection to systems supplied with a plug

This new energy-saving, super sensitive product is an automatic sensor that is easy, safe and practical to use. It works through infrared rays that immediately sense the presence of people's movements and anyone walking past. It automatically detects night and day, it is easy to install and comes with a wide range of applications: automatic, with no electrical circuit boards, suitable for application in any environment.



Single presence sensor

99051

Price on request. Technical specifications:

Power supply: 90 - 265V AC

Frequency: 50/60Hz.

Delay time: min 25s - max 250s.

Maximum load: 400W. L/R/C

Width measurement sensor system:

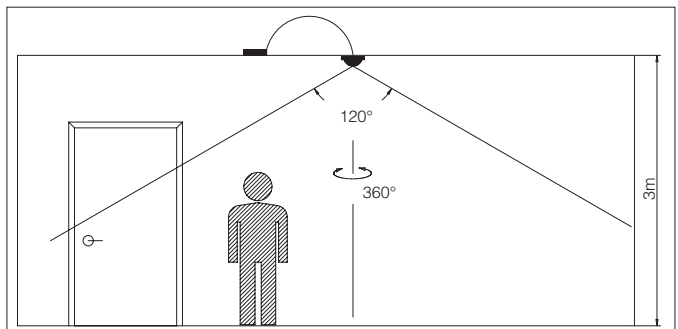
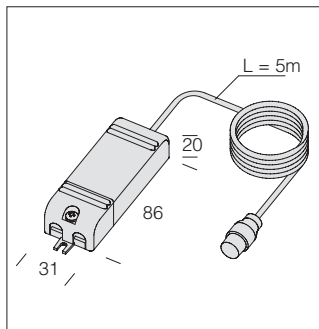
Conical detection area, angle of aperture: 120° (lateral view) - 360° (top view).

Sensor detection range: 120° (lateral view) - 360° (top view).

Working temperature: about -20°C - + 40°C.

Installation height: 2 to 4m.

Length of sensor cables supplied: 5m.



Double infrared sensor

99052

Price available upon request. Technical specifications:

Power supply: 90 - 265V AC

Frequency: 50/60Hz.

Delay time: min 25s - max 250s.

Maximum load: 400W. L/R/C

Width measurement sensor system:

Conical detection area, angle of aperture: 120° (lateral view) - 360° (top view).

Sensor detection range: 120° (lateral view) - 360° (top view).

Working temperature: -20°C - + 40°C circa.

Installation height: 2 to 4m.

Length of sensor cables supplied: 5m

