

Housing: Made of sheet steel.

Coating: Fluid-coated with a humidity resistant, UV-stabilised acrylic-resin paint.

Lampholder: Ceramic with silver-plated contacts.

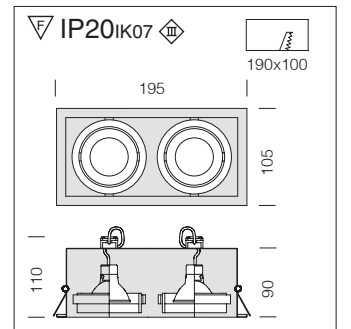
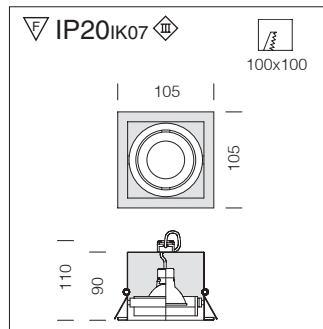
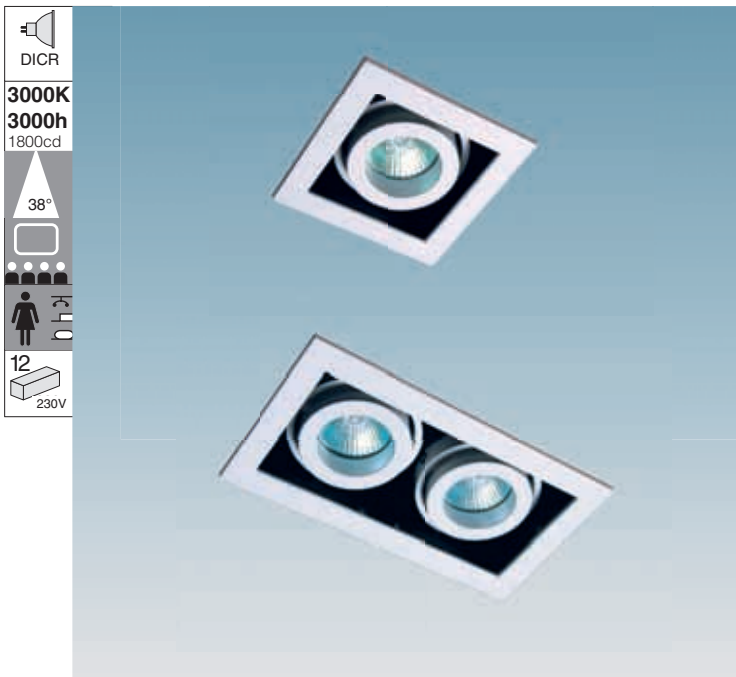
Electric gear: Transformer to be purchased separately; Equipped with hard wire, cross section 0.5 sqmm and HT sheathing, resistant according to CEi 20-20 standards Terminal block (maximum allowed lead cross section 2.5 sqmm).

Regulations: Manufactured in accordance with EN 60598-1-CEI 34.21 standards. Degree of protection in accordance with EN60529 standards.

Lamp: Complete with DICR lamps. Version with LED is available on request.

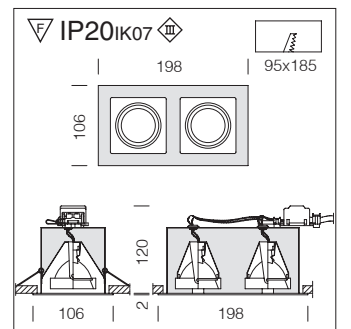
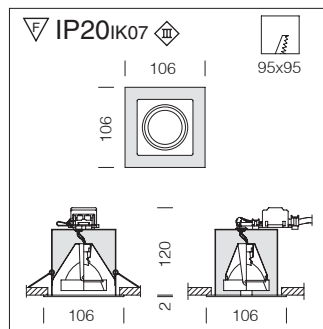
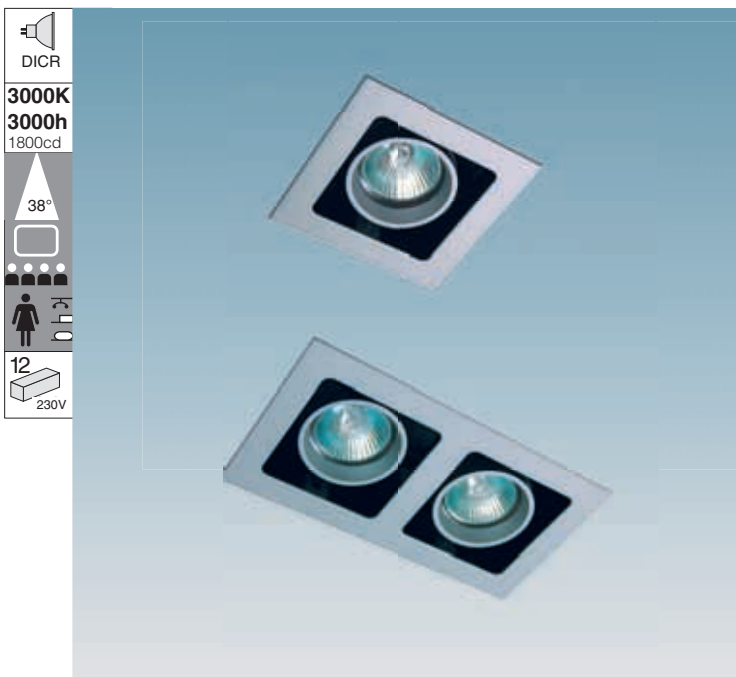


base	Watt	lamp	weight kg	colour	Code Fosnova
------	------	------	--------------	--------	-----------------



Minishop 1 - B					S+L
GU5,3	50	DICR		white	181111
Supplied with lamp.					

Minishop 2 - B					S+L
GU5,3	2x50	DICR		white	181113
Supplied with lamp. Version with LED is available on request.					



Minishop 1 - A					S+L
GU5,3	50	DICR		m. silver	181171
Supplied with lamp.					

Minishop 2 - A					S+L
GU5,3	2x50	DICR		m. silver	181173
Supplied with lamp. Version with LED is available on request.					

The **SHOP** series has been updated with the addition of new features: a new wide beam fixed optic unit has been created for HCI-T lamps, which fits perfectly into the structure, ideal for use in combination with conventional adjustable angle accent optic units using AR111 halogen lamps. The addition of the new optic unit makes this product even more versatile, and extends its use to showcases. The new optic unit is fitted with a Mastercolour metal halide lamp, guaranteeing high colour rendering as well as long life. Installation has been improved too, by a flush spring system, making recessed installation faster and easier.

Housing: Made of sheet steel.

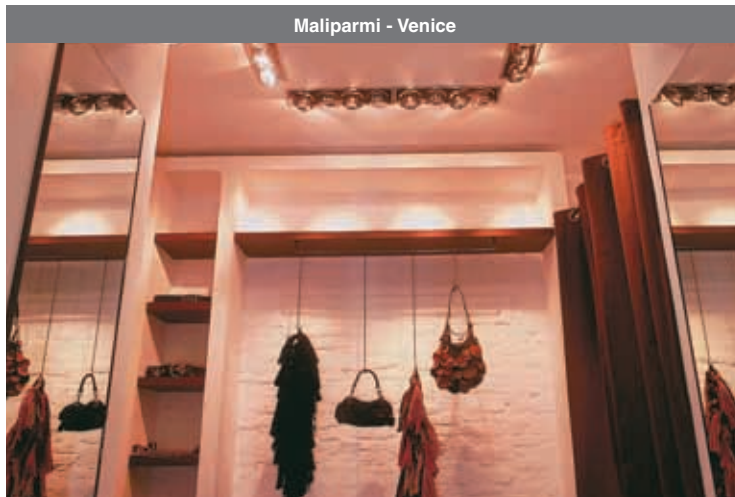
Coating: Fluid-coated with a humidity resistant, UV-stabilised acrylic-resin paint, interior part is black and the border is met. silver.

Lampholder: Ceramic with silver-plated contacts.

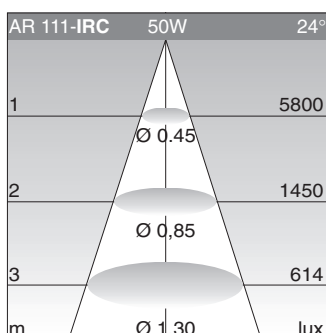
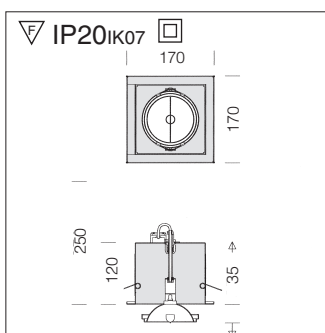
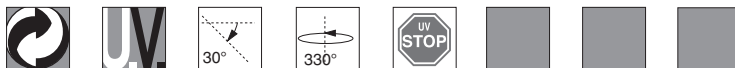
Electric gear: Equipped with transformer and hard Teflon wire, cross section 0.75 sqmm.

Terminal block: maximum allowed lead cross section 2.5sqmm

Lamp: Complete with new IRC technology halogen lamps and a ceramic lamp.



base	Watt	lamp	weight kg	colour	Code Fosnova
------	------	------	--------------	--------	-----------------

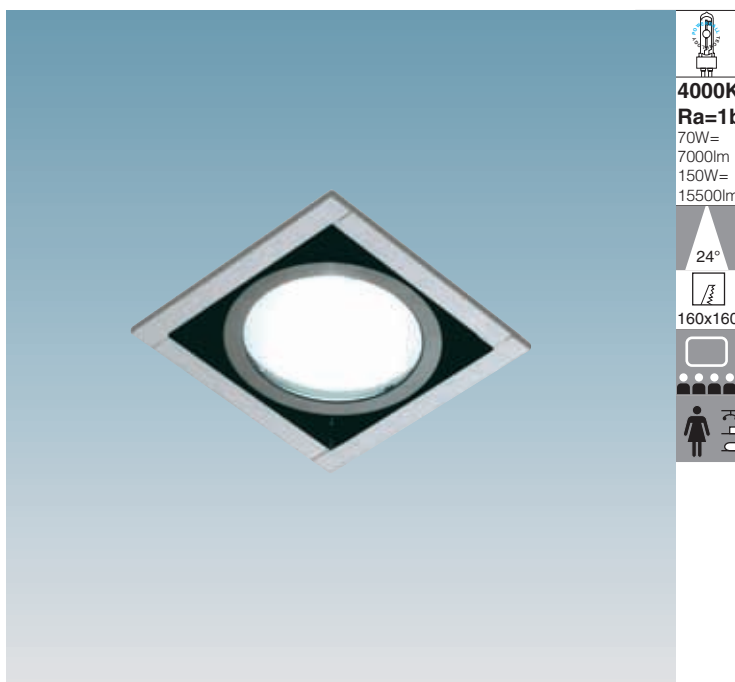
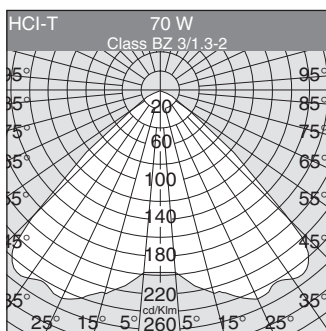
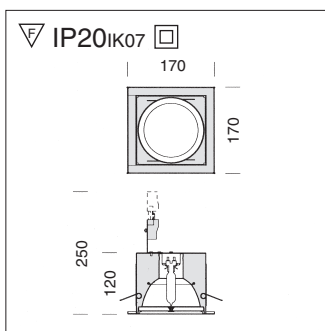


AR111-IRC
3000K
4000h
5800cd
24°
160x160
Icon of a person

Shop 1					CTL
G53	50	AR111-IRC	1,0	m. silver	181070

Complete with lamp and transformer AR111-IRC.

ENERGY SAVER AR111-IRC
power saving lamps provide a luminous efficiency 33% higher than conventional AR111 lamps; therefore:
more light, lower consumption.
3000k colour temperature
50W = 35W IRC 75W = 50W IRC



HCI-T
4000K
Ra=1b
70W=7000lm
150W=15500lm
24°
160x160
Icon of a person

Shop 1					S+L
G12	70	HCI-T	1,00	m. silver	181071
G12	150	HCI-T	1,00	m. silver	181072

Complete with lamp without box+control cod. 92011 /92021.

RECESSED DOWN LIGHTS



base	Watt	lamp	weight kg	colour	Code Fosnova
------	------	------	--------------	--------	-----------------

AR111
RC

3000K
4000h
5800cd

24°

4000K
Ra=1b
70W=7000lm
150W=15500lm

M

160x295

K110

335°

IP20 IK07

Shop 2

G53	2x50	AR111-IRC	m. silver	CTL 181075
				CTL+SL
G53+G12	50+70	AR111-IRC+HCI-T	m. silver	181073
G53+G12	50+150	AR111-IRC+HCI-T	m. silver	181074

Versions are supplied with IRC lamp and transformer; HCI versions are complete with lamp. Gear box is to be bought separately cod. 92011/92021.

4000K
Ra=1b
70W=7000lm
150W=15500lm

M

160x295

K110

HCI-T

70 W

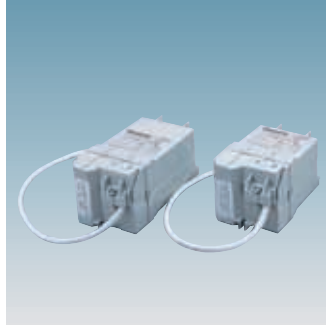
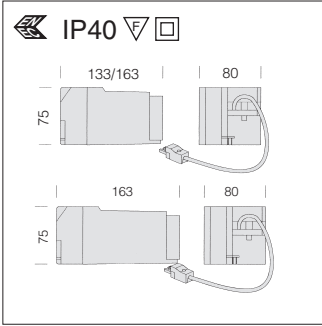
Class BZ 3/1.3-2

IP20 IK07

Shop 2

G12	2x70	HCI-T	m. silver	S+L 181076
G12	2x150	HCI-T	m. silver	181077

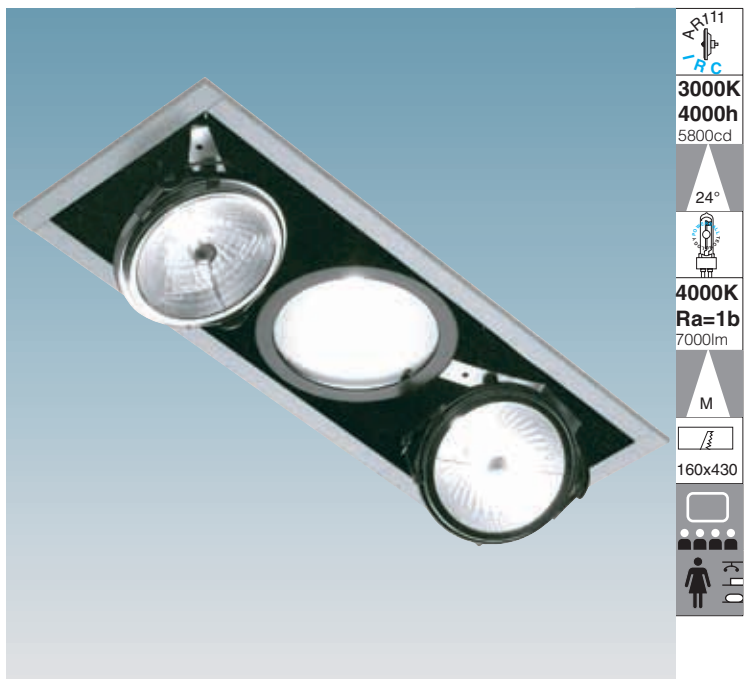
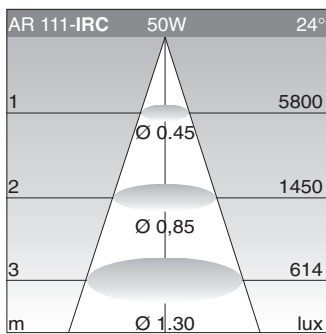
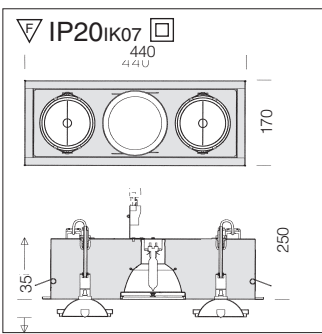
HCI versions are complete with lamp. Gear box is to be bought separately cod. 92011/92021.



Box		CNR	
70W	JM/HCI	white	92011
150W	JM/HCI	white	92021

V0 techno-polymer box. T≤95°C under normal operating conditions. T≤105 in malfunction conditions. Complete with starter, ballast, capacitor, 2-pole terminal block and thermal protection.

base	Watt	lamp	weight kg	colour	Code iFosnova
------	------	------	--------------	--------	------------------



AR111
RC
3000K
4000h
5800cd

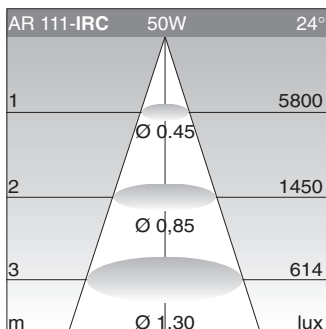
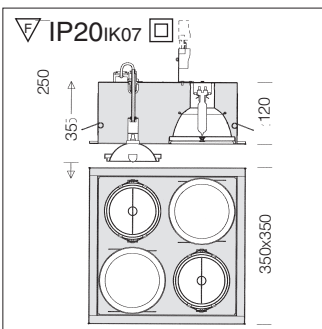
24°

4000K
Ra=1b
7000lm

M

160x430

Shop 3 **CTL-S+L**
 G53+G12 2x50+70 AR111/IRC+HCI-T m. silver **181078**
 Versions are supplied with IRC lamp and transformer; HCI versions are complete with lamp. Gear box is to be bought separately cod. 92011/92021.



AR111
RC
3000K
4000h
5800cd

24°

4000K
Ra=1b
7000lm

M

295x295

Shop 4 **CTL-S+L**
 G53+G12 2x50+2x70 AR111/IRC+HCI-T m. silver **181079**
 Versions are supplied with IRC lamp and transformer; HCI versions are complete with lamp. Gear box is to be bought separately cod. 92011/92021.



Housing: Made of sheet steel.

Coating: Fluid-coated with a humidity resistant, UV-stabilised acrylic-resin paint, interior part is black and the border is white.

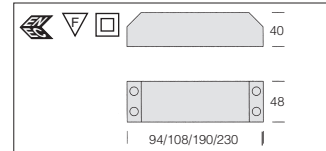
Electric gear: No transformer and silicon wire, cross section 0.75 sqmm

Equipment: Complete with springs which guarantee perfect attachment to suspended ceiling from 1mm to 25 mm thick.

Terminal block: maximum allowed lead cross section 1,5mm².

Regulations: Manufactured in accordance with EN 60598-1-CEI 34.21 standards. Degree of protection in accordance with EN60529 standards.

Lamps: Complete with halogen AR111 lamps and/or the lamps with metallic halogens with ceramic burner.



Dim. elec. transformer

220-240/12V 105W **90826**

Dim. elect. transformer.



base	Watt	lamp	weight kg	colour	Code Fosnova
------	------	------	--------------	--------	-----------------

AR111
3000K
3000h
5300cd

CDM-R
3000K
Ra=1b
15000cd

24°

160x160

new

IP20IK07

Store 1					S+L
G53	75	AR111	white		181210
To be complete with transformer code 90826 (105W).					

Store 1					CELL
Gx8,5	70	CDM-R111	white		181414
Gx8,5	70	CDM-R111	m. silver		181474
Angle: 42°.					

CDM-T
3000K
Ra=1b
6600lm

L

160x160

new

CDM-T 70W FL

IP20IK07

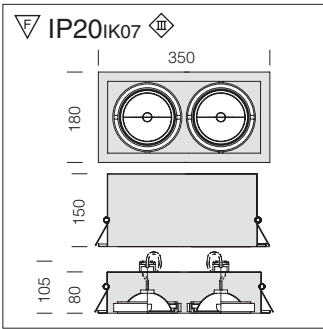
Store 1					CELL
G12	35	CDM-T	white		181219
G12	70	CDM-T	white		181211
G12	70	CDM-T	m. silver		181273

Complete with electronic ballast for discharge lamps.
For the CDM-T versions narrow and medium beam are available on request.

CDM-T 70W FS

CDM-T 70W FM

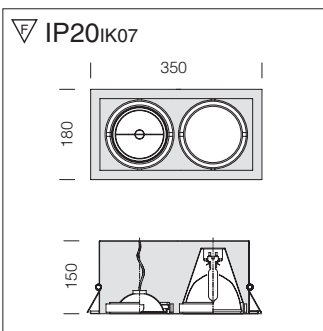
For the CDM-T versions narrow and medium beam are available on request.



AR111
3000K
3000h
 5300cd
 CDM-R
3000K
Ra=1b
 15000cd
 24°
 160x330
 new

Store 2				S+L
G53	2x75	AR111	white	181212
To be complete with transformer code 90836 (150W).				

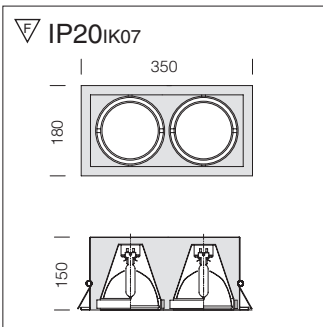
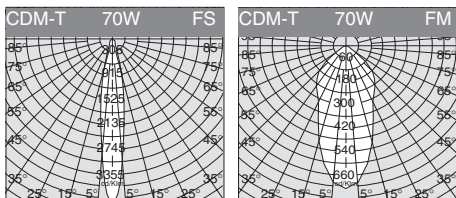
Store 2				CELL
Gx8,5	2x70	CDM-R111	white	181413
Gx8,5	2x70	CDM-R111	m. silver	181475
Angle: 42°.				



AR111
3000K
3000h
 5300cd
 24°
 CDM-T
3000K
Ra=1b
 6600lm
 L
 160x330
 new

Store 2				CTL+CELL
G53+G12	75+70	AR111/CDM-T	white	181213
Complete with transformer for halogen lamps and electronic ballast for discharge lamps.				

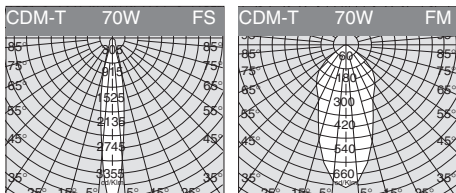
For the CDM-T versions narrow and medium beam are available on request.



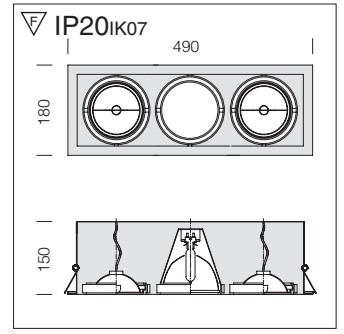
CDM-T
3000K
Ra=1b
 6600lm
 L
 160x330
 new

Store 2				CELL
G12	2x70	CDM-T	white	279,00 181214
G12	2x70	CDM-T	m. silver	279,00 181274
Complete with electronic ballast for discharge lamps.				

For the CDM-T versions narrow and medium beam are available on request.



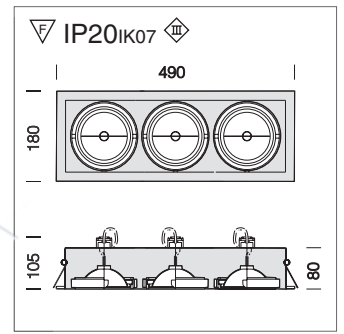
AR111
3000K
3000h
 5300cd
 24°
 CDM-T
3000K
Ra=1b
 6600lm
 M
 160x470
 new



Store 3 **CTL+CELL**
 G53+G12 2x75+70 AR111/CDM-T white **181215**
 Complete with transformer and electronic ballast for discharge lamps.

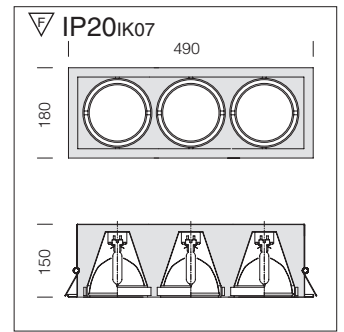
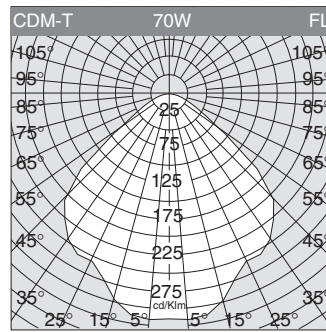
Store 3 **CTL+CELL**
 G12+G53 2x70+75 CDM-T/AR111 white **181217**

AR111
3000K
3000h
 5300cd
 24°
 160x470
 new

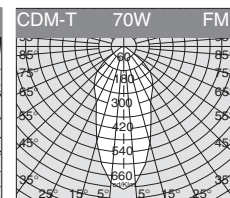
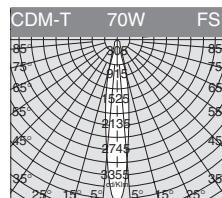


Store 3 **S+L**
 G53 3x75 AR111 white **181216**
 To be complete with transformers cod. 90836 (150W) and cod. 90826 (105W).

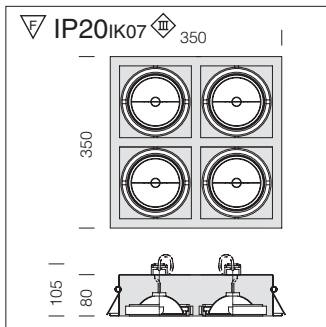
CDM-R
3000K
Ra=1b
 15000cd
 24°
 CDM-T
3000K
Ra=1b
 6600lm
 L
 160x470
 new



Store 3 **CELL**
 G12 3x70 CDM-T white **181218**
 G12 3x70 CDM-R111 white **181415**



For the CDM-T versions narrow and medium beam are available on request.

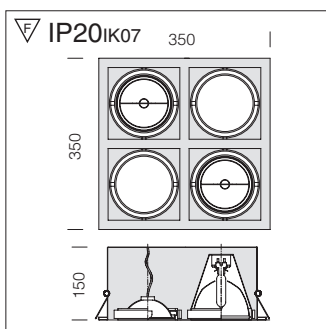


Store 4 **S+L**
 G53 4x75 AR111 white **181310**
 To be complete with 2 transformers cod. 90836 (150W).



AR111
3000K
3000h
 5300cd
 24°
 330x330

new



Store 4 **CTL+CELL**
 G53+G12 2x75+2x70 AR111/CDM-T white **181311**
 Complete with transformer and electronic ballast for discharge lamps.

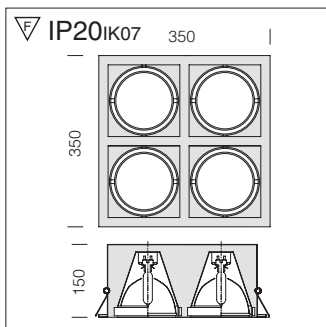
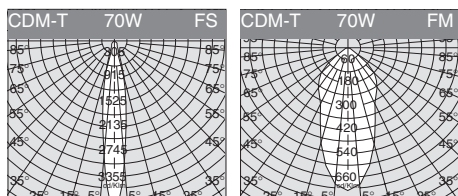


AR111
3000K
3000h
 5300cd
 24°

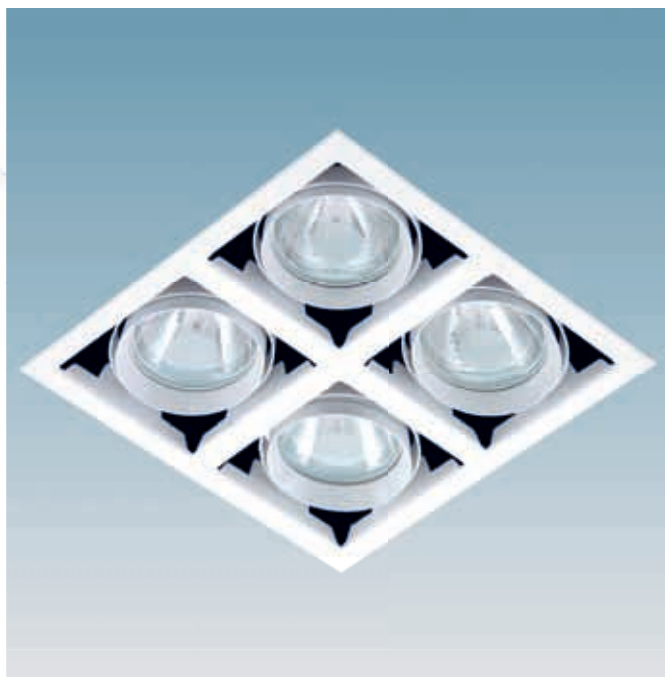
 CDM-T
3000K
Ra=1b
 6600lm
 L

new

For the CDM-T versions narrow and medium beam are available on request.



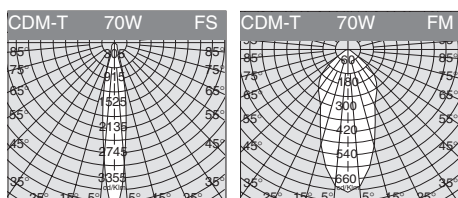
Store 4 **CELL**
 G12 4x70 CDM-T white **544,00** **181312**
 Complete with electronic ballast for discharge lamps.



CDM-T
3000K
Ra=1b
 6600lm
 L

new

For the CDM-T versions narrow and medium beam are available on request.



RECESSED DOWN LIGHTS