



These adjustable recessed spotlights, of moderate height, are ideal for installation in low false ceilings or display shelves. Extremely easy to install.

Housing: Die-cast zamak, with a steel bracket holding the terminal block. Supplied with springs for recessed mounting.

Coating: Fluid-coated with a humidity resistant, UV-stabilised acrylic-resin paint. A different galvanic finishing process is used for chromium-plated and polished brass versions.

Lampholder: Ceramic with silver-plated contacts.

Electric gear: Transformer to be purchased separately.

Equipment: With springs for false ceilings (max. 30mm).

Regulations: Manufactured in accordance with EN 60598-1-CEI 34.21 standards. Degree of protection in accordance with EN60529 standards.

Lamps: Version supplied with DICR-IRC or ALO, LED lamps.

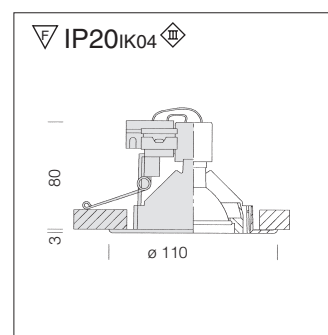
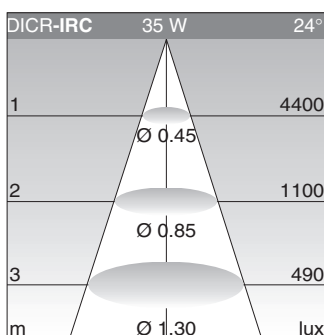


DICR-IRC
3000K
5000h
4400cd

M
Ø 95

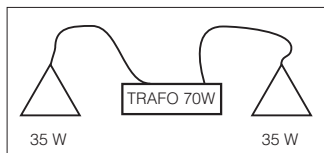
12
230

base	Watt	lamp	weight kg	colour	Code "Fosnova
------	------	------	--------------	--------	------------------



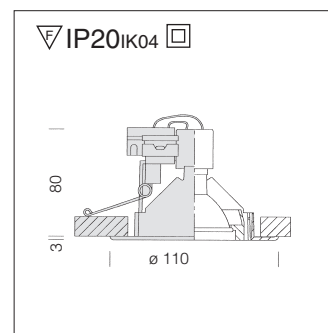
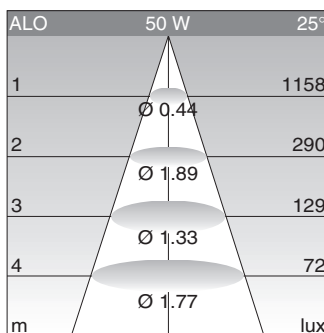
Lem 12 Volt with IRC lamp					S+L
GX5,3	35	DICR-IRC	0,5	white	64713
GX5,3	35	DICR-IRC	0,5	black	64707
GX5,3	35	DICR-IRC	0,5	chrome	64761
GX5,3	35	DICR-IRC	0,5	pol. brass	64797
GX5,3	35	DICR-IRC	0,5	gold	64782

Longer duration = Less consumption



ALO
2900K
2000h
950lm

M
Ø 95



Lem 230V with lamp					S+L
GU10	50	ALO	0,5	white	64418
GU10	50	ALO	0,5	black	64408
GU10	50	ALO	0,5	chrome	64468
GU10	50	ALO	0,5	pol. brass	64498
GU10	50	ALO	0,5	gold	64487

Complete with 230V lamps, mains voltage operation, without transformer.

POWERLED TRIPLE LENS RGB:

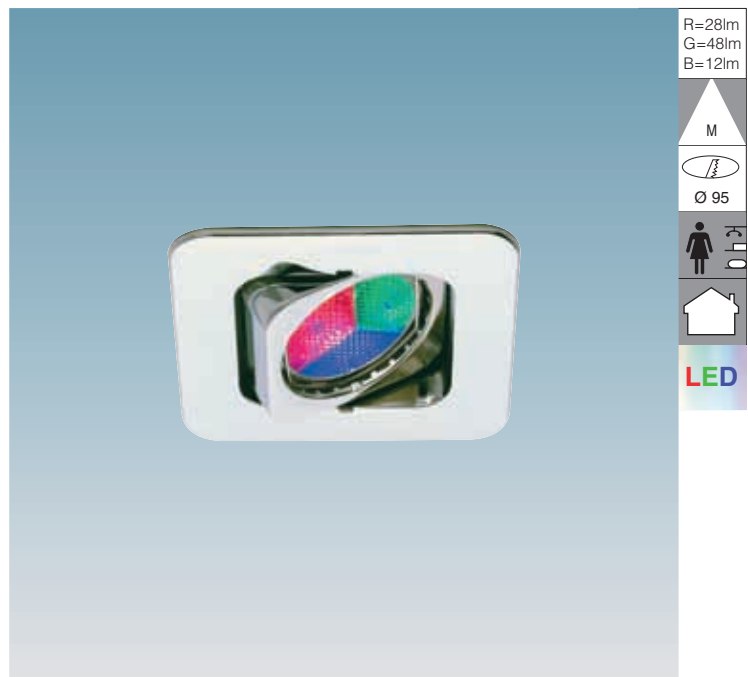
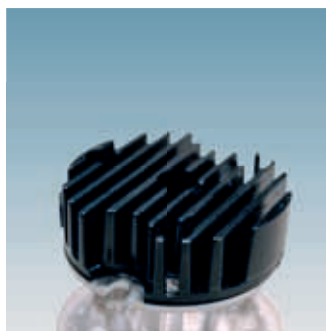
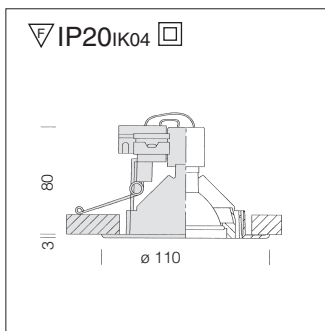
Round LED module consisting of LED lights with in-built lens. The purity of the light emitted is the main feature of these LED lights; particularly suitable for detail-enhancing and decorative lighting and for the creation of luminous colour effects.

LED with three built-in lenses and three LED lights, 4W, 350mA (red, green, blue). All three LED lights emit white light when switched on together. Different colours can be obtained by regulating the power supply of each single LED. Working temperature: -30°C to 75°C. Available in three RGB versions, beam angle: 6°, 30°, 45°.

Connections and accessories

High efficiency independent d.c. power generator, with reduced weight and size. 350/700mA is the direct current output of high-power LEDs, according to the type of use. Professional three-channel LED RGB colour control module, separate dimmable function available for each channel through a special potentiometer (or button), or IR remote control. Three colour changing programmes can be selected using a special button. The colour/programme selected is stored in the memory when the luminaire is switched off, also in case of a power cut. Loading of the colour changing programme. ON/OFF button, also operates with a synchronized MASTER and SLAVE system.

base	Watt	lamp	weight kg	colour	Code Fosnova
------	------	------	--------------	--------	-----------------



R=28lm
G=48lm
B=12lm
M
Ø 95
Icon of a person
Icon of a house
LED

Lem POWERLED RGB					S+L
4W	LED RGB	0,5	white		64711
4W	LED RGB	0,5	black		64732
4W	LED RGB	0,5	chrome		64766
4W	LED RGB	0,5	brass		64793
4W	LED RGB	0,5	gold		64784

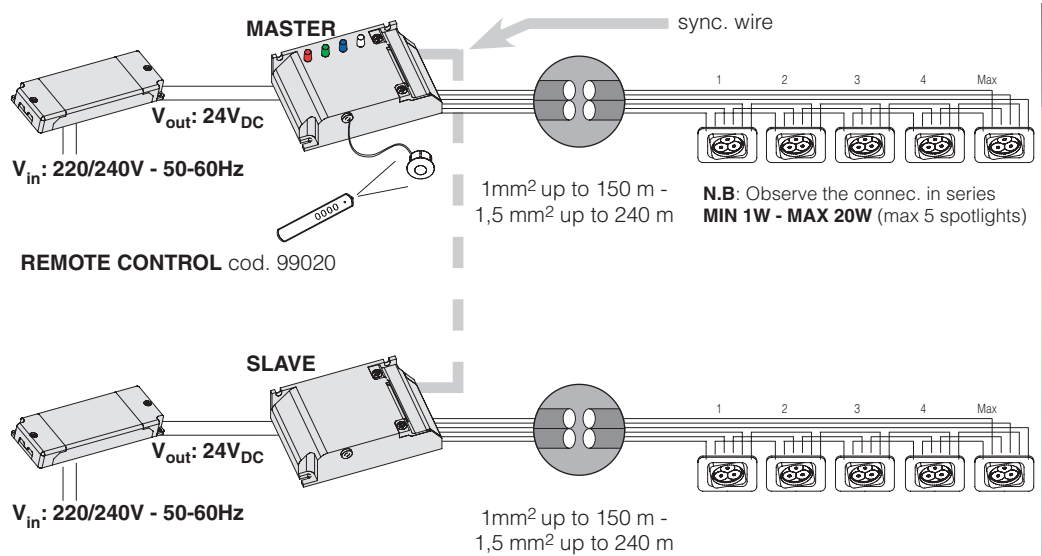
Use power supply code 90870, to power up to 5 RGB spotlights. To supply other 5 spotlights RGB in sync with MASTER, acquire SLAVE cod. 90871. In case of installation in a control board, the following are supplied separately:
 - KIT1, code 90872, powers up to 5 spotlights in synchronised mode;
 - KIT2, code 90873, powers up to 10 spotlights in synchronised mode.
 For 98070/71 and KIT1-2 Remote control code 99020 is supplied separately. Otherwise acquire PLUS MASTER/SLAVE System cod. 90875; For PLUS System Remote control code 99020 is supplied separately. Possibility of DMX System cod. 90876.

CODE 90870
 Power supply + Master + IRE Receiver

 Three-channel professional colour control module for LED RGB. Dimmable option supplied separately for each channel through a special potentiometer (or push-button). IRE remote control (code 99020) sold separately.

CODE 90871
 Power supply + Slave (to be inserted in IP65 box)

 A SLAVE and power supply should be purchased to use 5 more spotlights in sync with the MASTER, up to 5 spotlights (code 90871). Can be operated using 1 MASTER and 99 SLAVES.



FOR THE FURTHER INFORMATION AND RGB CONNECTION SEE PAG. 268-269