



Series of small-size recessed spotlights.

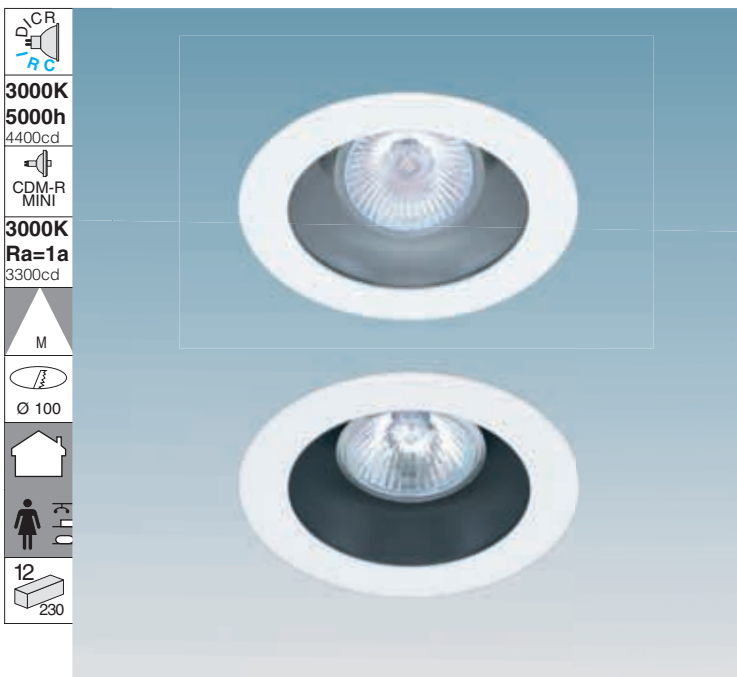
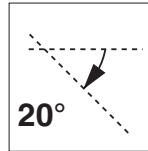
**Housing:** Housing and frame made of polycarbonate.

**Reflector:** In aluminium.

**Lampholder:** Ceramic with silver-plated contacts.

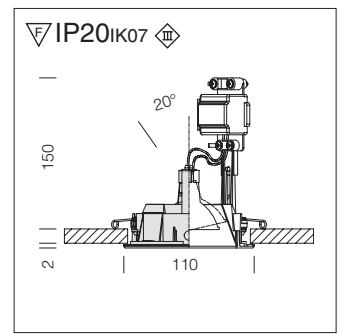
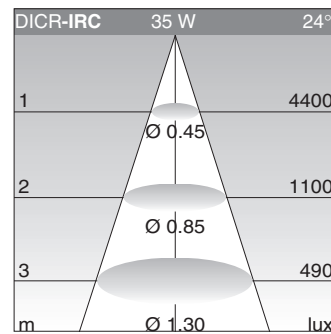
**Electric gear:** Utility line operated or with transformer for the DICR version.

**Regulations:** Manufactured in accordance with EN 60598-1-CEI 34-21 standards. Degree of protection in accordance with EN60529 standard.



**DICR-IRC**  
**3000K**  
**5000h**  
 4400cd  
**CDM-R MINI**  
**3000K**  
**Ra=1a**  
 3300cd  
 M  
 Ø 100  
  
  
 12  
 230

base	Watt	lamp	weight kg	colour	Code Fosnova
------	------	------	-----------	--------	--------------



**Fénix - internal aluminium** **S+L**

GU5,3	35	DICR-IRC	0,3	white	<b>60910</b>
GU5,3	50	DICR-IRC	0,3	white	<b>60912</b>

**CELL**

GX10	20	CDM-R MINI	0,3	white	<b>60919</b>
------	----	------------	-----	-------	--------------

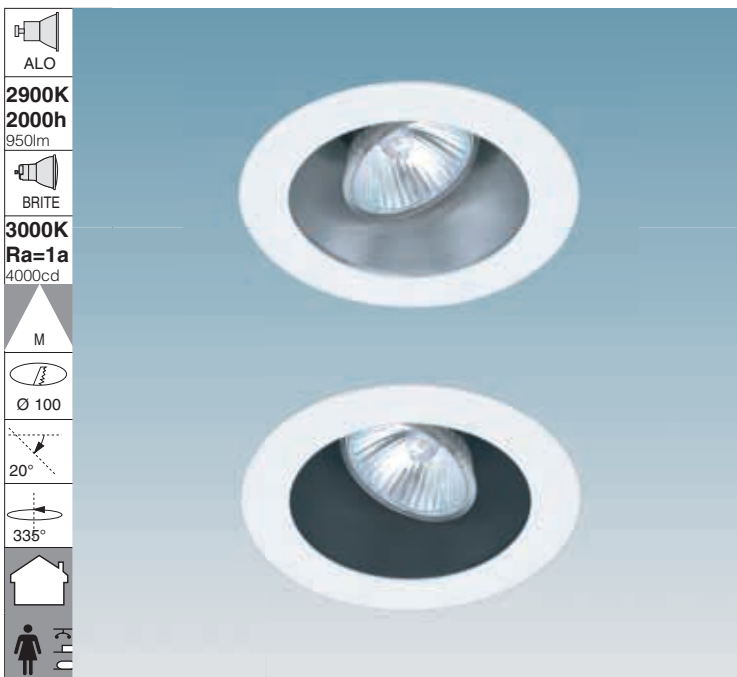
**Fénix - internal black** **S+L**

GU5,3	35	DICR-IRC	0,3	white	<b>60915</b>
GU5,3	50	DICR-IRC	0,3	white	<b>60916</b>

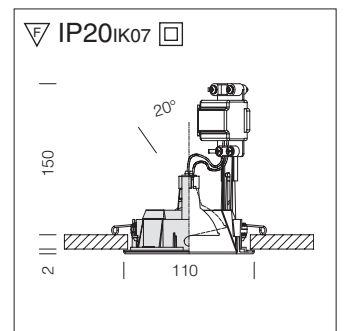
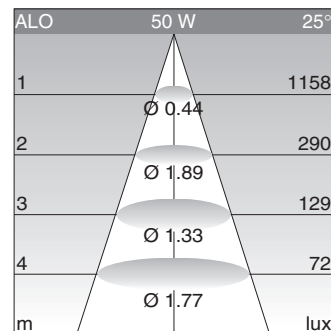
**CELL**

GX10	35	BRITE SPOT	0,3	white	<b>60917</b>
------	----	------------	-----	-------	--------------

Housing and frame made of polycarbonate and turned aluminium reflector. Light beam can be directed.



**ALO**  
**2900K**  
**2000h**  
 950lm  
**BRITE**  
**3000K**  
**Ra=1a**  
 4000cd  
 M  
 Ø 100  
  
  
 20°  
 335°



**Fénix - 230 V internal aluminium** **S+L**

GU10	50	ALO	0,3	white	<b>60911</b>
------	----	-----	-----	-------	--------------

**Fénix - 230 V internal black** **S+L**

GU10	50	ALO	0,3	white	<b>60918</b>
------	----	-----	-----	-------	--------------

Housing and frame made of polycarbonate and turned aluminium reflector. Light beam can be directed. Completed with 230V lamp, mains voltage operation.

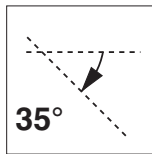
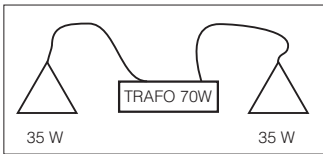
These very small recessed spotlights are ideal to create the light of atmosphere for elegant and modern interior decorations.

**Housing:** Tilting made of aluminium.

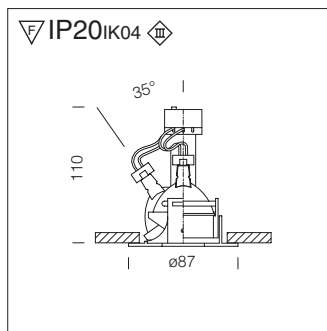
**Lampholder:** Ceramic with silver-plated contacts.

**Electric gear:** Transformer to be purchased separately.

**Regulations:** Manufactured in accordance with standards EN60598 – 1 - CEI 34.21. Degree of protection in accordance with standards EN60529.



base	Watt	lamp	weight kg	colour	Code Fosnova
------	------	------	--------------	--------	-----------------



DICR-IRC	35 W	10°
1		12500
	Ø 0.17	
2		3120
	Ø 0.35	
3		1390
m	Ø 0.50	lux

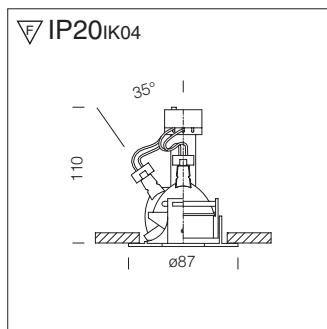
Atlas 1 12 Volt with IRC lamp					S+L
GU5,3	35	DICR-IRC	0,4	m. silver	61670
GU5,3	50	DICR	0,4	white	61611

Atlas 1 POWERLED 230V					S+L
GU10	3W	LED	0,4	m. silver	61673

With 3W LED, 25° light beam, mains voltage operations 230-240V/50-60Hz.



**3000K**  
**5000h**  
 4400cd  
 10°  
 UV STOP  
 Ø 80  
 12  
 230  
 6000K  
 35lm  
 25°  
**LED**



DICR-IRC	35 W	10°
1		12500
	Ø 0.17	
2		3120
	Ø 0.35	
3		1390
m	Ø 0.50	lux

Atlas 2 12 Volt with IRC lamp adjustable					S+L
GU5,3	35	DICR-IRC	0,4	m. silver	61771
GU5,3	50	DICR	0,4	white	61712

Version with adjustable inner body.

Atlas 2 POWERLED 230V					S+L
GU10	3x1W	LED	0,4	m. silver	61774

With 3x1W LED, 15° light beam, mains voltage operations 230-240V/50-60Hz.



**3000K**  
**5000h**  
 4400cd  
 10°  
 UV STOP  
 Ø 80  
 12  
 230  
 6000K  
 70lm  
 15°  
**LED**



**Housing:** Sheet steel supplied with springs for recessed mounting.

**Coating:** Fluid-coated with a humidity resistant, UV-stabilised acrylic-resin paint. A different galvanic finishing process is used for chromium-plated and polished brass versions.

**Lampholder:** Ceramic with silver-plated contacts.

**Electric gear:** Transformer to be purchased separately or mains voltage operation.

**Equipment:** With springs for false ceilings min. 1mm and max. 15mm; for 1mm thick false ceilings a  $\varnothing$  85mm hole is needed.

**Regulations:** Manufactured in accordance with EN 60598-1-CEI 34.21 standards. Degree of protection in accordance with EN60529 standards.

**Lamps:** Version supplied with DICR-IRC.



**DICR-IRC**  
3000K  
5000h  
4400cd

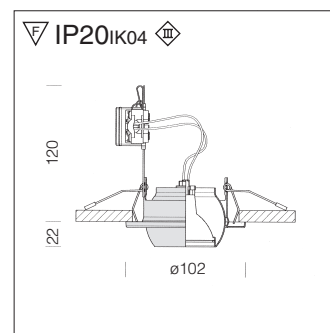
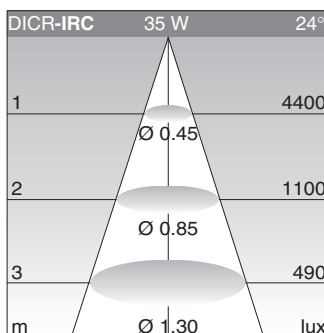
M

$\varnothing$  92

340°

12  
230

base	Watt	lamp	weight kg	colour	Code
------	------	------	--------------	--------	------



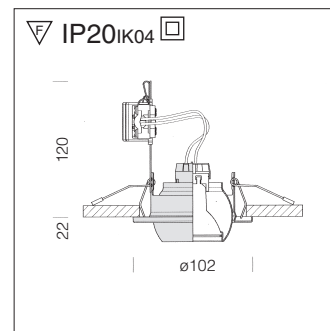
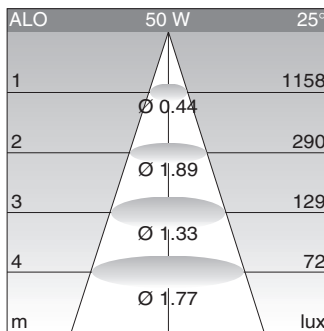
<b>Luna 1 - 12V with lamp</b>					<b>S+L</b>
GX5,3	35	DICR-IRC	0,3	white	<b>63114</b>
GX5,3	35	DICR-IRC	0,3	silver	<b>63170</b>
GX5,3	35	DICR-IRC	0,3	chrome	<b>63162</b>
GX5,3	35	DICR-IRC	0,3	gold	<b>63198</b>

**ALO**  
2900K  
2000h  
950lm

M

$\varnothing$  92

340°



<b>Luna 2 - 230V with lamp</b>					<b>S+L</b>
GU10	50	ALO	0,3	white	<b>62911</b>
GU10	50	ALO	0,3	silver	<b>62970</b>
GU10	50	ALO	0,3	chrome	<b>62968</b>
GU10	50	ALO	0,3	gold	<b>62995</b>

Complete with 230V lamps, mains voltage lamp.

**TRIPLE MONOCHROMATIC POWERLED OPTICS:**

Circular LED module consisting of LED lights with inbuilt optic unit. Use is recommended in decorative architectural lighting, detail-enhancing lighting for shops and displays (shop windows, etc.) and directional lighting for interiors and exteriors (corridors, halls, façades, etc.).

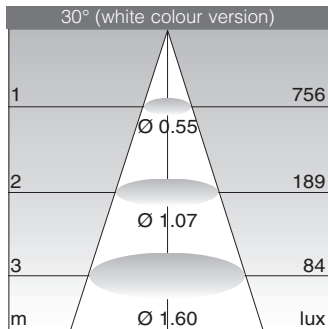
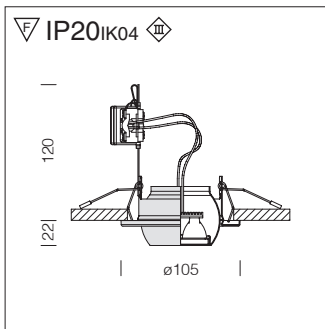
LED module with three lens incorporated with three LEDs with a power rating of 1W at 350mA; to be used with 350mA constant current electronic power supply. The working temperature range lies between -30°C to 75°C. Available in three monochromatic versions with light beam width from 6°, 30°, 45°. A POWERLED has a useful working life of approximately 50,000 hours at the maximum permitted working temperature. Use in less demanding conditions compared with the maximum conditions will extend the powered's useful working life.

**Connections and accessories**

Use a 17W-350mA ballast included in IP65 box, code 90837, to power up to 4 products with triple monochromatic led lights. Light can be adjusted using an open push-button or a 0-10V signal with dimmable ballast.



base	Watt	lamp	weight kg	colour	Code ifosnova
------	------	------	--------------	--------	------------------



Luna 1 - POWERLED White					S+L
3x1,4W	LED white	0,3	white		<b>63012</b>
3x1,4W	LED white	0,3	silver		<b>63073</b>
3x1,4W	LED white	0,3	chrome		<b>63064</b>
3x1,4W	LED white	0,3	gold		<b>63095</b>

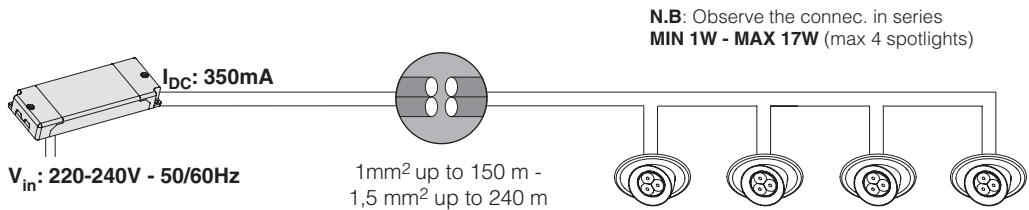
Complete with 3 LED module, powered 1,4W each, beam angle: 30° (on request 6°-45°). On request: the version with LED in warm-white colour. Power supply is to be bought separately cod. 90835-90837.

RECESSED DOWN LIGHTS

new

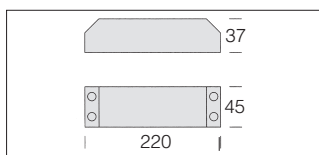
**COD. 90837**  
Power supply LED

To power in series max 4 spotlights utilize LED power supply cod 90837.



**N.B:** Observe the connec. in series  
**MIN 1W - MAX 17W** (max 4 spotlights)

**LED Power supply**  
220-240V 350mA 17W **90837**  
Supplies up to max 4 spotlights.  
Connections in series.



POWERLED CONNECTIONS



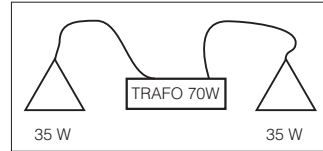
These very small chrome recessed spotlights are ideal to create the light of atmosphere in elegant and modern interior decorations.

**Housing:** Tilting made of aluminium.

**Lampholder:** Ceramic with silver-plated contacts.

**Electric gear:** Transformer to be purchased separately.

**Regulations:** Manufactured in accordance with EN 60598-1-CEI 34.21 standards. Degree of protection in accordance with EN60529 standards.



base	Watt	lamp	weight kg	colour	Code Fosnova
------	------	------	-----------	--------	--------------

**DICR-IRC**  
RC

**3000K**  
5000h  
4400cd

10°

Ø 70

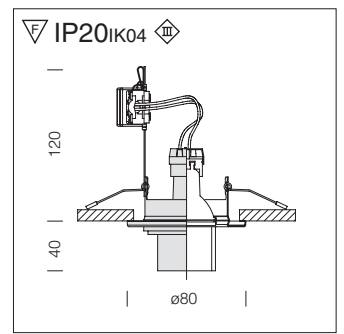
12  
230

UV  
STOP

6000K  
135lm  
15°

LED

DICR-IRC	35 W	10°
1		12500
	Ø 0.17	
2		3120
	Ø 0.35	
3		1390
m	Ø 0.50	lux



**Luna 3 - 12 Volt with IRC lamp** **S+L**  
 GU5,3 35 DICR-IRC 0,4 chrome **62761**

**Luna 3 - POWERLED White** **S+L**  
 Gx5,3 3x1,4W LED white 0,4 chrome **62765**

Complete with dichro-POWERLED beam angle: 15°. Colour temperature: 6000K; to be used with a power supply 12V-20W dc cod. 90838 to power max. 5 spotlights.

**DICR-IRC**  
RC

**3000K**  
5000h  
4400cd

10°

Ø 70

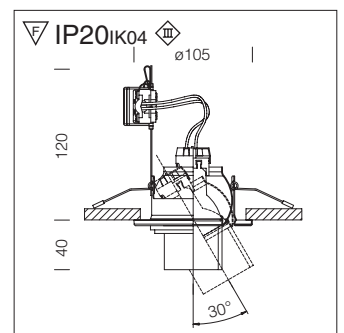
12  
230

UV  
STOP

6000K  
135lm  
15°

LED

DICR-IRC	35 W	10°
1		12500
	Ø 0.17	
2		3120
	Ø 0.35	
3		1390
m	Ø 0.50	lux



**Luna 4 - 12 Volt with IRC adjustable lamp** **S+L**  
 GU5,3 35 DICR-IRC 0,4 chrome **62862**

Version with adjustable inner body.

**Luna 4 - White POWERLED** **S+L**  
 Gx5,3 3x1,4W LED white 0,4 chrome **62865**

Complete with dichro-POWERLED beam angle: 15°. Colour temperature: 6000K; to be used with a power supply 12V-20W dc cod. 90838 to power max. 5 spotlights.

Adjustable recessed small spotlight is ideal for internal modern design illumination.

**Housing:** printed steel.

**Lampholder:** Ceramic with silver-plated contacts.

**Electric gear:** Transformer to be purchased separately.

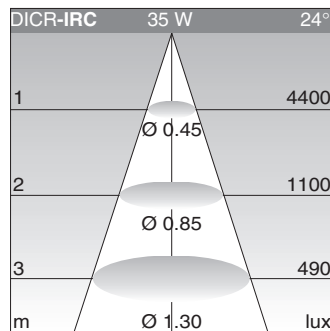
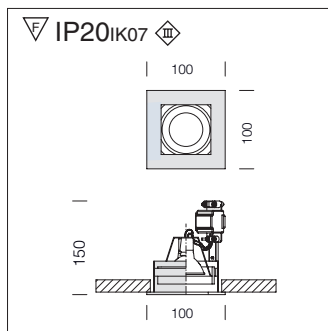
**Regulations:** Manufactured in accordance with EN 60598-1-CEI 34.21 standards. Degree of protection in accordance with EN60529 standards.



In particular: the lamp and its light beam can be directed, thanks to double tilting ring mounted on two axis.

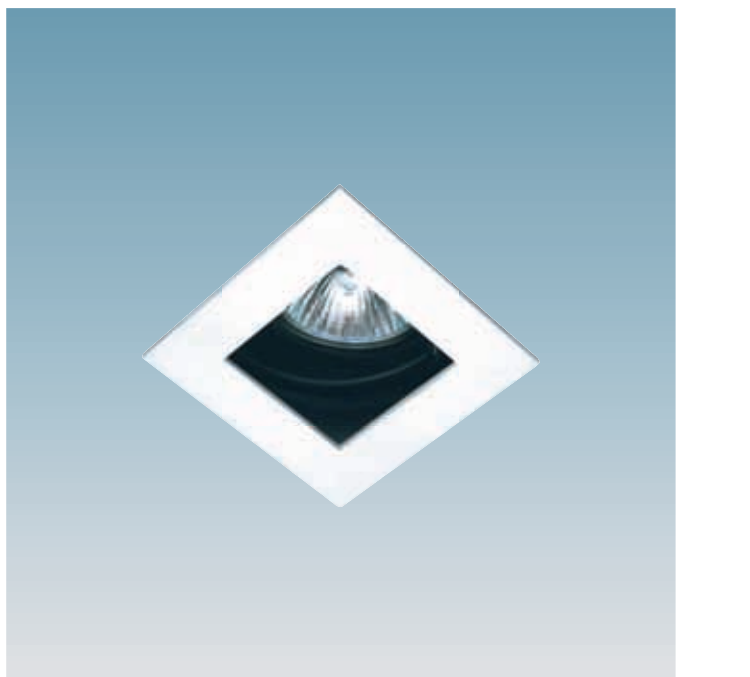
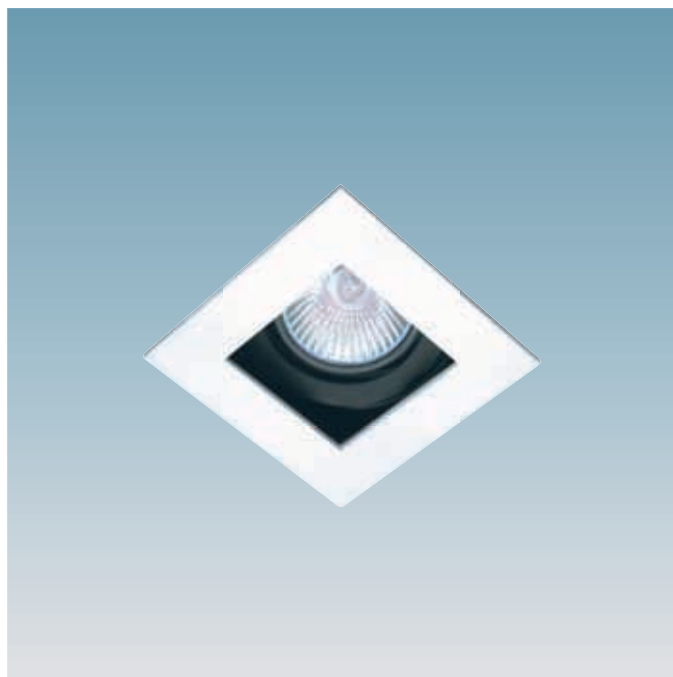
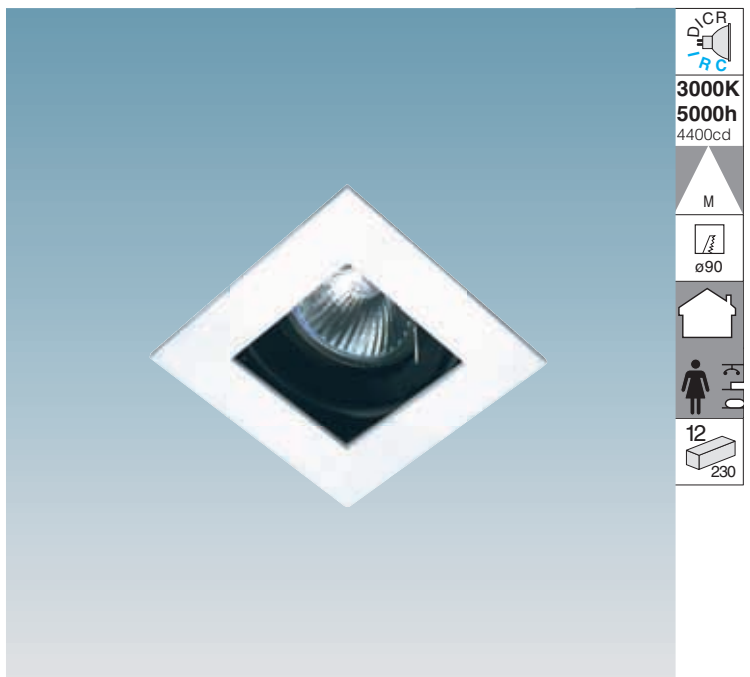


base	Watt	lamp	weight kg	colour	Code Fosnova
------	------	------	--------------	--------	-----------------



<b>Fenix Q</b>					<b>S+L</b>
GX5,3	35	DICR-IRC	0,3	white	<b>60914</b>

Light beam can be directed from -30° to + 30°.



RECESSED DOWN LIGHTS