



Series of vertically and horizontally adjustable recessed spotlights. Easy to replace lamp; after inspecting the removable parts, the transformer can be replaced through the outer ring hole. DICR-IRC lamps help save energy with a 30% increase in luminous efficiency over traditional DICR lamps - in a word: more light, less energy!

**Housing:** Die-cast zamak, with a steel bracket holding the terminal block. Supplied with springs for recessed mounting.

**Lampholder:** Ceramic with silver-plated contacts.

**Coating:** Power-coated with a UV-resistant polyester epoxy paint. A different galvanic finishing process is used for chromium-plated and polished brass versions.

**Electric gear:** Transformer to be purchased separately.

**Equipment:** With springs for false ceilings (max. 30mm).



**DICR-IRC**  
RC

**3000K**  
**5000h**  
4400cd

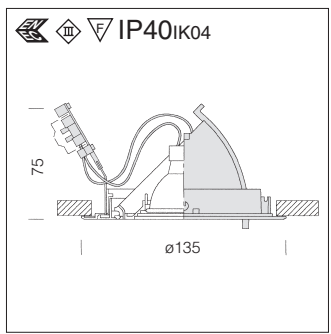
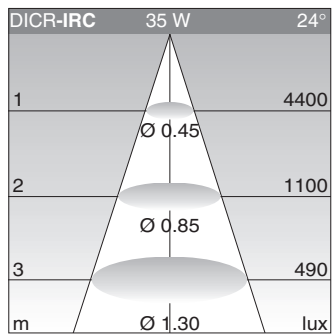
24°

Ø 118

UV STOP

12  
230

base	Watt	lamp	weight kg	colour	Code Fosnova
------	------	------	-----------	--------	--------------



**Sylon IRC-12 Volt with lamp+glass** **S+L**

GX5,3	35	DICR-IRC	0,5	white	<b>86211</b>
GX5,3	35	DICR-IRC	0,5	chrome	<b>86264</b>
GX5,3	35	DICR-IRC	0,5	m. silver	<b>86273</b>
GX5,3	35	DICR-IRC	0,5	pol. brass	<b>86295</b>

Complete with dichroic lamp IRC without transformer code 90818. Use one 70W transformer for 2 spotlights. Efficiency + 30%. Longer duration.

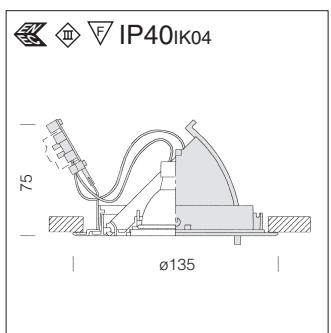
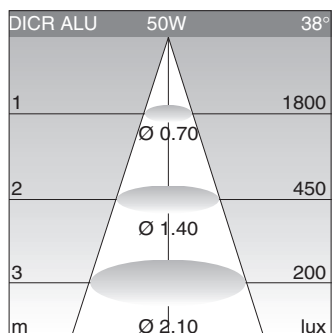
**ALU**

**3000K**  
**3000h**  
1800cd

M

Ø 118

12  
230



**Sylon 12 volt with aluminised lamp** **S+L**

GX5,3	50	ALU	0,5	white	<b>87016</b>
GX5,3	50	ALU	0,5	chrome	<b>87064</b>
GX5,3	50	ALU	0,5	m. silver	<b>87077</b>
GX5,3	50	ALU	0,5	pol. brass	<b>87091</b>

Includes ILCOS HAG/LP50 lamp – GU 5.3 – 51/38-10 reduces heat transmitted through the back of the lamp in the back.

**ALU**

No emission of light at the back of the reflector. The heat is always directed down towards the ground.

**Regulations:** Manufactured in accordance with EN 60598-1-CEI 34.21 standards. Degree of protection in accordance with EN60529 standards.

**Lamps:** Version supplied with DICR-IRC, ALU or AR70, LED lamps.



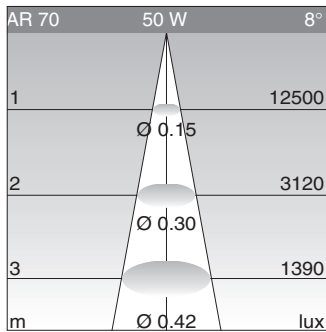
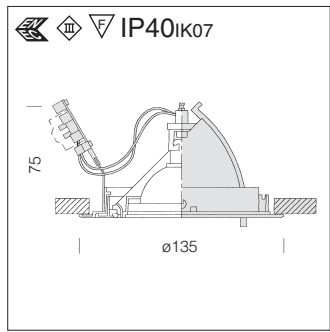
The housing rotates from 0° to 60°.



The housing rotates from 0° to 355°.



base	Watt	lamp	weight kg	colour	Code ifosnova
------	------	------	--------------	--------	------------------

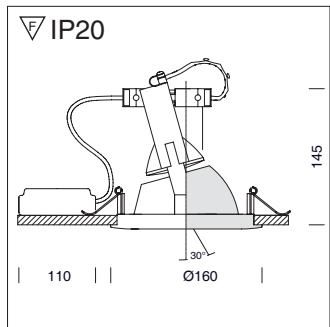


<b>Sylon 12 Volt with lamp</b>					<b>S+L</b>
BA15-d	50	AR70	0,4	white	<b>86913</b>
BA15-d	50	AR70	0,4	chrome	<b>86960</b>
BA15-d	50	AR70	0,4	pol. brass	<b>86996</b>

Complete with lamp without transformer.



- AR 70
- 3000K
- 3000h
- 12500cd
- S
- Ø 118
- 12
- 230



<b>Lotus 9</b>				<b>CELL</b>
E27	35	CDM-R-PAR20 0,8	white	<b>88619</b>



- CDM-R
- 3000K
- 2000lm
- Ø 150
- 30°

RECESSED DOWN LIGHTS



**TRIPLE MONOCHROMATIC POWERLED OPTICS:**

Circular LED module consisting of led lights with inbuilt optic unit. Use is recommended in decorative architectural lighting, detail-enhancing lighting for shops and displays (shop windows, etc.) and directional lighting for interiors and exteriors (corridors, halls, façades, etc.).

LED module with three lens incorporated with three LEDs with a power rating of 1W at 350mA; to be used with 350mA constant current electronic power supply. The working temperature range lies between -30°C to 75°C. Available in three monochromatic versions with light beam width from 6°, 30°, 45°. A powerled has a useful working life of approximately 50,000 hours at the maximum permitted working temperature. Use in less demanding conditions compared with the maximum conditions will extend the POWERLED's useful working life.

**Connections and accessories**

Use a 17W-350mA ballast included in IP65 box, code 90837, to power up to 4 products with triple monochromatic led lights. Light can be adjusted using an open push-button or a 0-10V signal with dimmable ballast.



**6000K**  
125lm  
30°

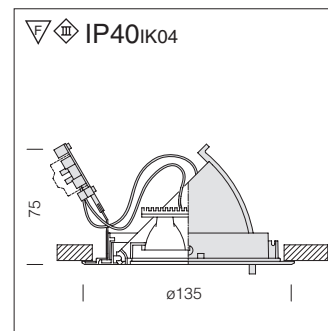
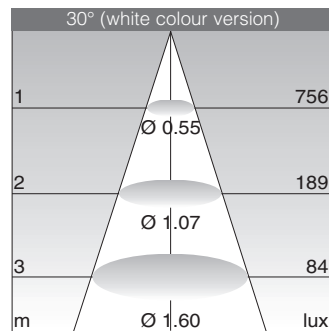
Ø 118

12  
230

LED



base	Watt	lamp	weight kg	colour	Code Fosnova
------	------	------	--------------	--------	-----------------



Sylon POWERLED White 6000K					S+L
3x1,4W	LED white	0,5	white		<b>86415</b>
3x1,4W	LED white	0,5	m. silver		<b>86475</b>
3x1,4W	LED white	0,5	chrome		<b>86465</b>
3x1,4W	LED white	0,5	brass		<b>86491</b>

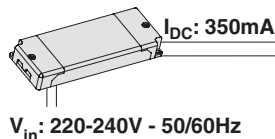
Sylon POWERLED White 3000K					S+L
3x3W	LED white	0,5	white		<b>86416</b>
3x3W	LED white	0,5	m. silver		<b>86472</b>
3x3W	LED white	0,5	chrome		<b>86463</b>
3x3W	LED white	0,5	brass		<b>86494</b>

Completed with 3 led module, powered 1,4W or 3W each, beam angle: 30° (on request 6°-45°). Power supply is to be bought separately cod. 90835-90837.

**COD. 90837**  
Power supply LED

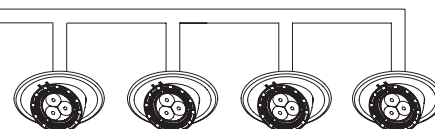
To power Sylon POWERLED white 3x1,4W in series max 4 spotlights utilize LED power supply cod 90837. To power Sylon POWERLED white 3x3W utilize LED power supply cod 90835 (one for a spotlight).

**cod. 90837**

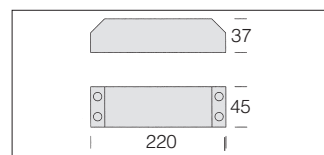
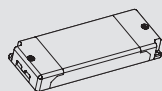


**N.B:** Observe the connec. in series  
**MIN 1W - MAX 17W** (max 4 spotlights)

1mm<sup>2</sup> up to 150 m -  
1,5 mm<sup>2</sup> up to 240 m



**COD. 90835**  
Power supply LED  
(for led 3W)



**LED Power supply**

220-240V 350mA 17W	<b>90837</b>
220-240V 700mA	<b>90835</b>

Supplies up to max 4 spotlights. (led 1,4W). Connections in series.

POWERLED CONNECTIONS

**POWERLED TRIPLE LENS RGB:**

Round LED module consisting of led lights with in-built lens. The purity of the light emitted is the main feature of these led lights; particularly suitable for detail-enhancing and decorative lighting and for the creation of luminous colour effects.

LED with three built-in lenses and three LED lights, 4W, 350mA (red, green, blue).

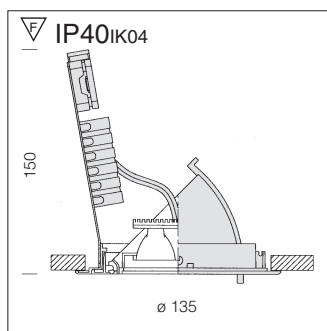
All three LED lights emit white light when switched on together. Different colours can be obtained by regulating the power supply of each single LED. Working temperature: -30°C to 75°C. Available in three RGB versions, beam angle: 6°, 30°, 45°.

**Connections and accessories**

High efficiency independent d.c. power generator, with reduced weight and size. 350/700mA is the direct current output of high-power LEDs, according to the type of use.

Professional three-channel LED RGB colour control module, separate dimmable function available for each channel through a special potentiometer (or button), or IR remote control. Three colour changing programmes can be selected using a special button. The colour/programme selected is stored in the memory when the luminaire is switched off, also in case of a power cut. Loading of the colour changing programme. ON/OFF button, also operates with a synchronized MASTER and SLAVE system.

base	Watt	lamp	weight kg	colour	Code ifosnova
------	------	------	--------------	--------	------------------



R=28lm
G=48lm
B=12lm
Ø 118
12 230
LED

Sylon POWERLED RGB					S+L
4W	LED RGB	0,5	white		<b>86413</b>
4W	LED RGB	0,5	m. silver		<b>86476</b>
4W	LED RGB	0,5	chrome		<b>86466</b>
4W	LED RGB	0,5	brass		<b>86492</b>

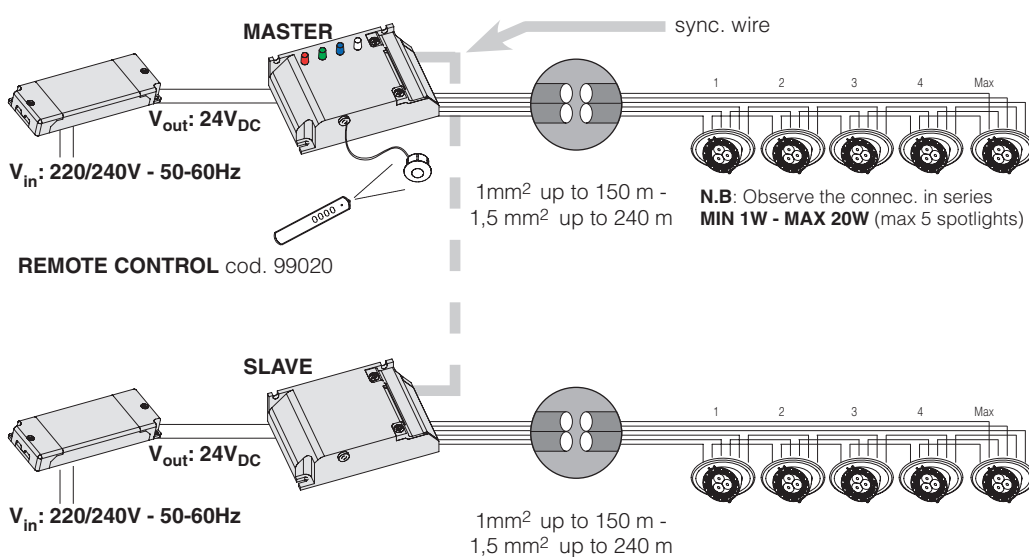
Use power supply code 90870, to power up to 5 RGB spotlights.  
 To supply other 5 spotlights RGB in sync with MASTER, acquire SLAVE cod. 90871.  
 In case of installation in a control board, the following are supplied separately:  
 - KIT1, code 90872, powers up to 5 spotlights in synchronised mode;  
 - KIT2, code 90873, powers up to 10 spotlights in synchronised mode.  
 For 98070/71 and KIT1-2 Remote control code 99020 is supplied separately.  
 Otherwise acquire PLUS MASTER/SLAVE System cod. 90875;  
 For PLUS System Remote control code 99020 is supplied separately.  
 Possibility of DMX System cod. 90876.

**CODE 90870**  
 Power supply + Master  
 + IRE Receiver

Three-channel professional colour control module for LED RGB. Dimmable option supplied separately for each channel through a special potentiometer (or push-button). IRE remote control (code 99020) sold separately.

**CODE 90871**  
 Power supply + Slave  
 (to be inserted in IP65 box)

A SLAVE and power supply should be purchased to use 5 more spotlights in sync with the MASTER, up to 5 spotlights (code 90871). Can be operated using 1 MASTER and 99 SLAVES.



FOR THE FURTHER INFORMATION AND RGB CONNECTION SEE PAG. 268-269



Series of recessed adjustable angle floodlights. Designed to address the growing need for lighting solutions in shopping centres and shop windows, where the luminous flux has to be directed according to the products displayed.

**Housing:** Die-cast aluminium.

**Reflector:** High-efficiency polished anodised aluminium.

**Diffuser:** Tempered glass protective shield.

**Lampholder:** Ceramic with silver-plated or phosphorous bronze contacts.

**Electric gear:** 230V/50Hz electronic supply. Flexible wire terminated with admiralty brass clamps, silicone insulation with fibreglass braid; cross section: 1.5 mm<sup>2</sup>. 2P+T terminal block (with plug-socket connector).

**Regulations:** Manufactured in accordance with EN 60598-1-CEI 34.21 standards. Degree of protection in accordance with EN60529 standards.

**Lamps:** Complete with discharge lamps (SHOP-LIGHT) (ELITE).

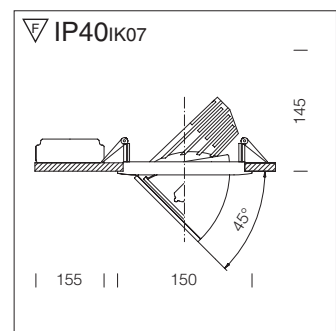
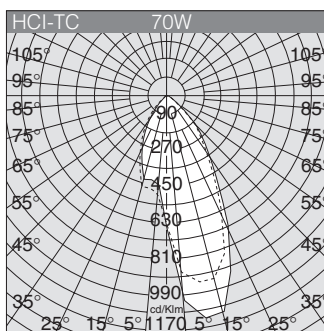


HCI-TC  
**3000K**  
Ra=1b  
35W=3300lm  
70W=7000lm

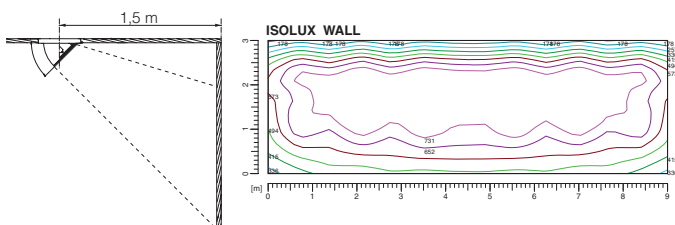
Ø 140

**new**

base	Watt	lamp	weight kg	colour	Code Fosnova
------	------	------	--------------	--------	-----------------



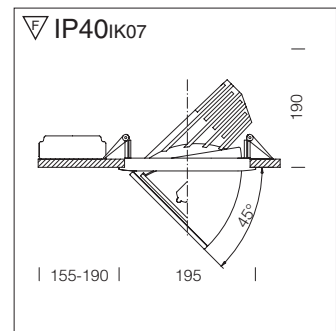
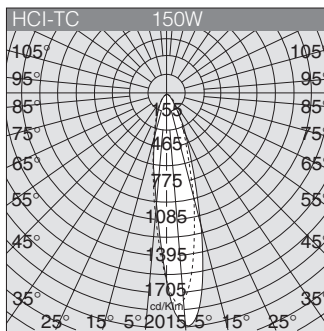
Eta 1					CELL
G8,5	35	HCI-TC	white		<b>176013</b>
G8,5	70	HCI-TC	white		<b>176017</b>



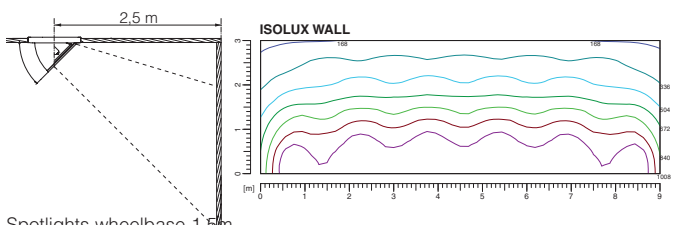
CDM-T  
**3000K**  
Ra=1b  
70W=6600lm  
150W=14000lm

Ø 180

**new**



Eta 2					CELL
G12	150	CDM-T	white		<b>176116</b>



Spotlights wheelbase 1,5m

**Housing:** Die-cast zamak, with a steel bracket holding the terminal block. Supplied with springs for recessed mounting.

**Lampholder:** Ceramic with silver-plated contacts.

**Coating:** Power-coated with a UV-resistant polyester epoxy paint. A different galvanic finishing process is used for chromium-plated and polished brass versions.

**Electric gear:** Transformer to be purchased separately.

**Equipment:** With springs for false ceilings (max. 30mm).

**Regulations:** Manufactured in accordance with EN 60598-1-CEI 34.21 standards. Degree of protection in accordance with EN60529 standards.

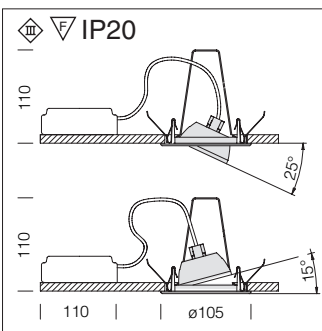
**Lamps:** Completed with DICR-IRC, LED lamps.



Housing can be adjusted from +15, -25



base	Watt	lamp	weight kg	colour	Code ifosnova
------	------	------	--------------	--------	------------------



DICR	50W	38°
1	1450	Ø 0.70
2	362	Ø 1.40
3	161	Ø 2.10
m	lux	



DICR	3000K
3000h	1800cd
Ø 95	12
230	6000K
135lm	15°
LED	

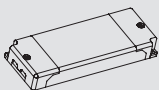
Beta with lamp + glass + DIMM transformer					S+L+T
Gx5,3	50	DICR	0,2	white	86610
Gx5,3	50	DICR	0,2	m. silver	86670

Adjustable spots completed with lamp with glass and dimmable transformer. Supplied in individual bags, packed in boxes of 5.

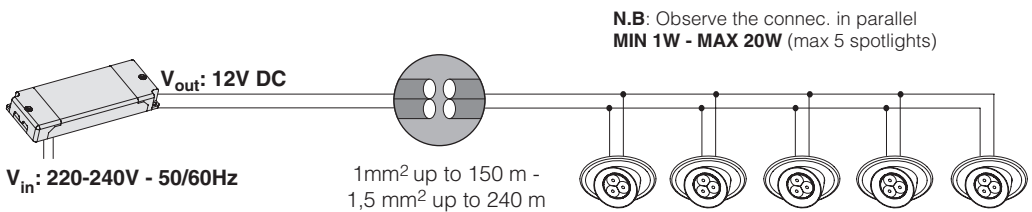
Beta POWERLED White					S+L
Gx5,3	3x1,4W	LED white	0,2	white.	86611
Gx5,3	3x1,4W	LED white	0,2	m. silver	86671

Completed with dichro-Powered beam angle: 15°. Colour temperature: 6000K; to be used with a power supply 12V-20W dc cod. 90838 to power max. 5 spotlights.

**COD. 90838**  
Power supply LED



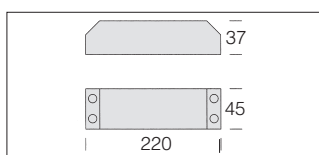
To power in parallel max 5 spotlights utilize LED power supply cod 90838



**N.B:** Observe the connec. in parallel  
**MIN 1W - MAX 20W** (max 5 spotlights)

LED Power supply			
230V/12V	20W	0.10	90838

Supplies up to max 5 spotlights. Connections in parallel.



POWERLED CONNECTIONS