



Housing: die-cast aluminium. Optic box with tempered clear glass.

Reflector: High-efficiency prismatic and polished aluminium.

Lampholder: Ceramic with silver-plated contacts.

Electric gear: 230V/50Hz power supply 50/60Hz or electronic transformer 220-240V/12V-50Hz.

Coating: Fluid-coated with a humidity resistant, UV-stabilised acrylic-resin paint, after a chromate treatment

Equipment: With separate electric gear box. Supplied with flush springs from 1mm up to 20mm.

Regulations: Manufactured in accordance with EN 60598-1-CEI 34.21 standards. Degree of protection in accordance with EN60529 standards.

Lamps: version supplied with DICR-IRC, ALO/ALO-IRC, AR70 or HCI-T lamps.



base	Watt	lamp	weight kg	colour	Code Fosnova
------	------	------	--------------	--------	-----------------

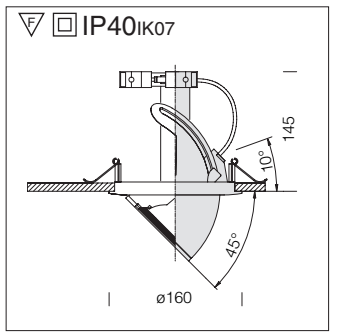
ALO

2900K
2000h
950lm

M

ø150

ALO	50 W	25°
1		1158
	Ø 0.44	
2		290
	Ø 1.89	
3		129
	Ø 1.33	
4		72
	Ø 1.77	
m		lux



Corner 160 - A **S+L**
8970
 GU10 50 ALO 0,6 m. silver
 With lamp. The housing adjusts from -10° to 45°.

CR
RC

3000K
5000h
4400cd

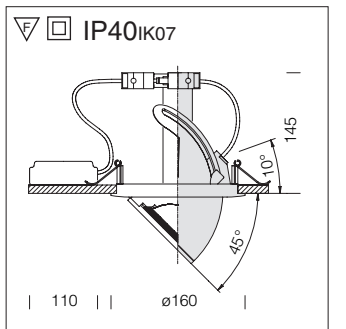
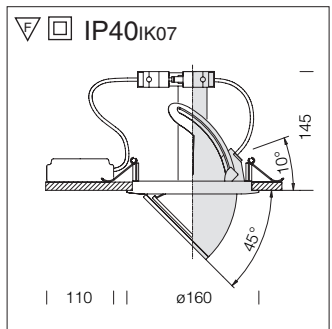
0
RC

3000K
4000h
1250lm

M

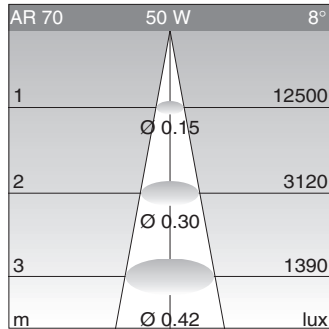
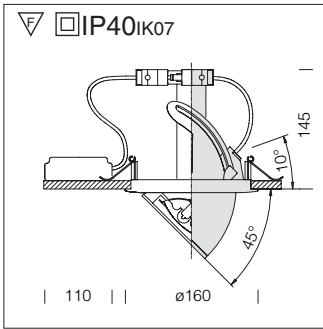
ø150

12
230



Corner 160 - B **CTL**
88011
 GY6,35 35 ALO-IRC 0,8 white
 GY6,35 35 ALO-IRC 0,8 m. silver **88071**
 With lamp. The housing adjusts from -10° to 45°. (fig. 1)

Corner 160 - D **CTL**
88073
 GU5,3 35 DICR-IRC 0,7 m. silver
 With lamp. The housing adjusts from -10° to 45°. (fig. 2)



Corner 160 - C

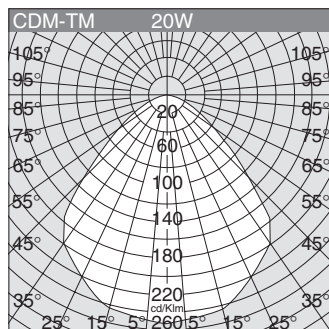
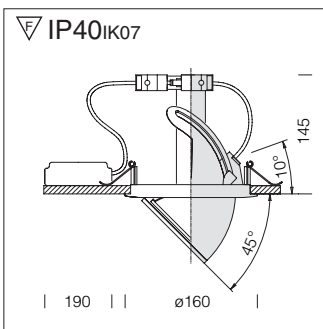
CTL

BA15-d	50	AR70	0,8	white	88012
BA15-d	50	AR70	0,8	m. silver	88072

With lamp. The housing adjusts from -10° to 45°.



AR 70
3000K
3000h
 12500cd
 S
 Ø 150
 UV STOP
 K10
 K15



Corner 160 - E

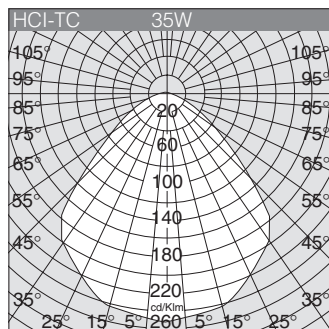
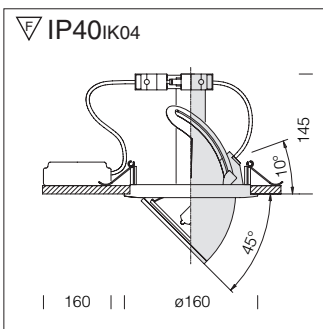
CELL

PGJ5	20	CDM-TM	0,8	white	88110
PGJ5	20	CDM-TM	0,8	m. silver	88170

With lamp. The housing adjusts from -10° to 45°. Power of the lamp: 20W, 1650lm, 3000K



CDM
3000K
 20W=
 1650lm
 M
 Ø 150
 K10
 K15



Corner 160 - F

CELL

G8,5	35	HCI-TC	0,9	white	88211
G8,5	70	HCI-TC	0,9	white	88212
G8,5	35	HCI-TC	0,9	m. silver	88271
G8,5	70	HCI-TC	0,9	m. silver	88272

With lamp. The housing adjusts from -10° to 45°. Power saving lamps provide a luminous efficiency 11% more than traditional ones.

Kit con 2 Corner 160 - F and power supply

CELL

G8,5	2x35	HCI-TC	1,8	white	88213
G8,5	2x70	HCI-TC	1,8	white	88214
G8,5	2x35	HCI-TC	1,8	m. silver	88273
G8,5	2x70	HCI-TC	1,8	m. silver	88274

With lamp and power supply. The housing rotates from -10° to 45°. Power saving lamps provide a luminous efficiency 11% more than traditional ones.



HCI-TC
3000K
 35W=
 3300lm
 70W=
 6400lm
 M
 Ø 150
 K10
 K15

RECESSED
DOWN LIGHTS



Housing: in die cast aluminium. Optic box with tempered clear glass.

Reflector: High-efficiency prismatic and polished aluminium

Lampholder: Ceramic with silver-plated contacts.

Electric gear: 230V/50Hz power supply 50/60Hz of electronic transformer 220-240V/12V-50Hz.

Coating: Fluid-coated with a humidity resistant, UV-stabilised acrylic-resin paint, after a chromate treatment.

Equipment: With separate electric gear box. Supplied with flush springs from 1mm up to 20mm.

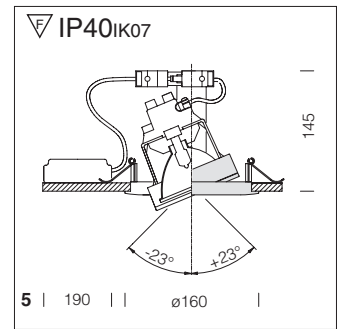
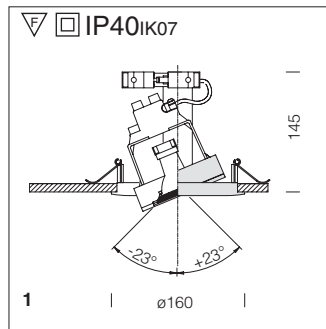
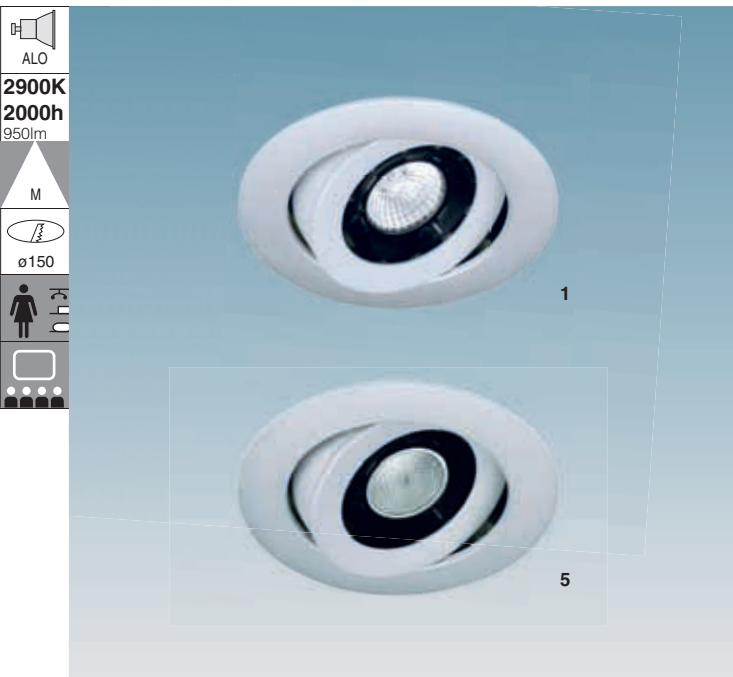
Regulations: Manufactured in accordance with EN 60598-1-CEI 34.21 standards. Degree of protection in accordance with EN60529 standards.

Lamps: version supplied with DICR-IRC, ALO/ALO-IRC, AR70 or HCI-T lamps.

Version IP54 with lamp CDM-TM 20W or ALO-IRC 35W

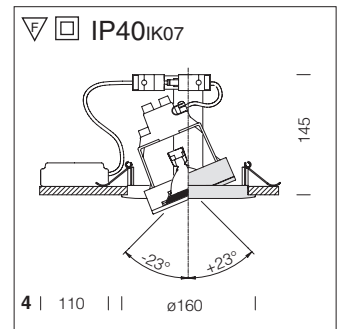
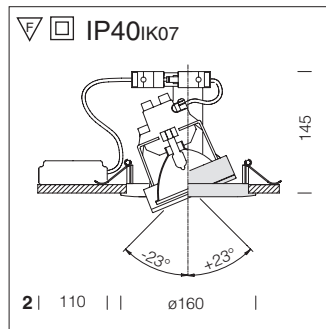


base	Watt	lamp	weight kg	colour	Code Fosnova
------	------	------	--------------	--------	-----------------



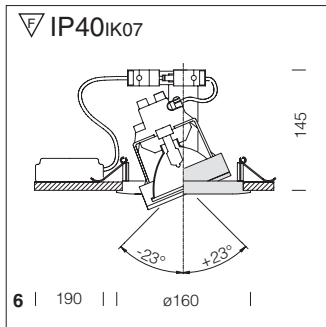
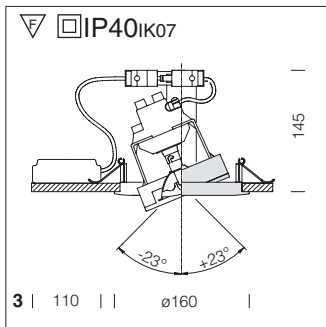
Lotus 1					S+L
GU10	50	ALO	0,5	m. silver	88370
Complete with lamp. Adjustability: from +23° to -23°.					

Lotus 5					CELL
GX10	35	BRITE-SPOT	0,7	m. silver	88573
Complete with lamp. Adjustability: from +23° to -23°. (fig. 5)					



Lotus 2					CTL
GY6,35	35	ALO-IRC	0,7	white	88411
GY6,35	35	ALO-IRC	0,7	m. silver	88471
Complete with lamp. Adjustability: from +23° to -23° (fig. 2)					

Lotus 4					CTL
GU5,3	35	DICR-IRC	0,6	m. silver	88473
Complete with lamp. Adjustability: from +23° to -23° (fig. 4)					



Lotus 3

CTL

BA15-d	50	AR70	0,7	white	88412
BA15-d	50	AR70	0,7	m. silver	88472

Completed with lamp. Cardan version, the housing rotates from +23° to -23°.

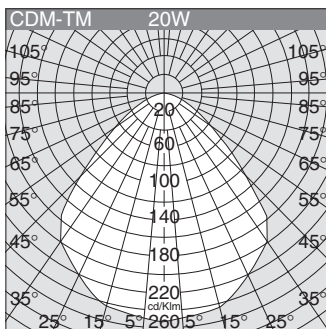
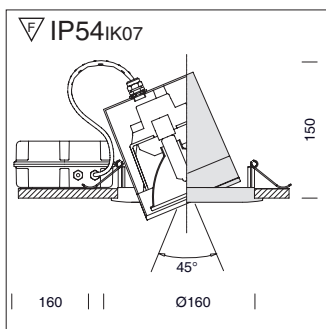
Lotus 6

CELL

PGJ5	20	CDM-TM	0,7	m. silver	88670
------	----	--------	-----	-----------	--------------

Complete with lamp. Adjustability: from +23° to -23°.

Lamp power: 20W, 1650lm, 3000K. (fig. 6)



Lotus 8

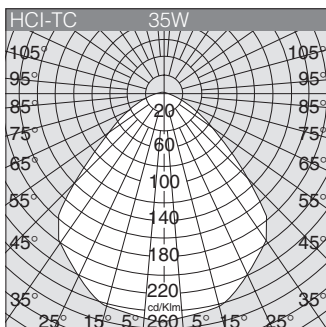
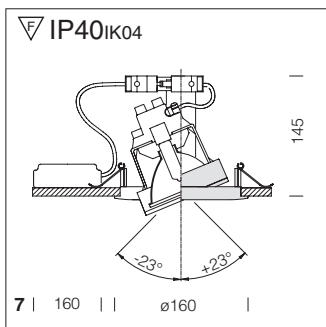
CELL

PGJ5	20	CDM-TM	0,5	m. silver.	88678
------	----	--------	-----	------------	--------------

CTL

GY6.35	35	ALO-IRC	0,5	m. silver	88676
--------	----	---------	-----	-----------	--------------

Perfect for fitness and swimming-pools areas



Lotus 7

CELL

G8,5	35	HCI-TC	0,8	white	88711
G8,5	70	HCI-TC	0,8	white	88712
G8,5	35	HCI-TC	0,8	m. silver	88771
G8,5	70	HCI-TC	0,8	m. silver	88772

Complete with lamp. Adjustability: from +23° to -23°.

Power saving lamps provide a luminous efficiency 11% more than traditional ones.

Kit with 2 Lotus 7 and power supply

CELL

G8,5	2x35	HCI-TC	0,8	white	88713
G8,5	2x70	HCI-TC	0,8	white	88714
G8,5	2x35	HCI-TC	0,8	m. silver	88773
G8,5	2x70	HCI-TC	0,8	m. silver	88774

Complete with lamp. Adjustability: from +23° to -23°.

Power saving lamps provide a luminous efficiency 11% more than traditional ones.



AR 70
3000K
3000h
 12500cd
 CDM
3000K
 20W=
 1650lm
 S
 Ø 150
 uv
 STOP
 ♀



CDM
3000K
 20W=
 1650lm
 0
 FC
3000K
4000h
 1250lm
 M
 Ø 150
 ♀
 ♂
 ♂
 ♂



HCI-TC
3000K
 35W=
 3300lm
 70W=
 6400lm
 M
 ø150
 ♀
 ♂
 ♂

RECESSED
DOWN LIGHTS