



A line of recessed spotlights made of die-cast zamak. Equipped with internal housing allowing installers to choose to mount the fixture flush with the ceiling or protruding, for greater control of the beam's direction (0° - 20°). Optionally these fixtures can be installed on shooks (pitch 100).

**Housing:** Die-cast zamak, with a steel bracket holding the terminal block. Supplied with springs for recessed mounting.

**Lampholder:** Ceramic with silver-plated contacts.

**Coating:** Fluid-coated with a humidity resistant, UV-stabilised acrylic-resin paint. A different galvanic finishing process is used for chromium-plated and polished brass versions.

**Electric gear:** Transformer to be purchased separately.

**Equipment:** With springs for false ceilings (max. 40mm).

**Regulations:** Manufactured in accordance with EN 60598-1-CEI 34.21 standards. Degree of protection in accordance with EN60529 standards.

**Lamps:** Version supplied with DICR-IRC or ALU lamp.



base	Watt	lamp	weight kg	colour	Code Fosnova
------	------	------	--------------	--------	-----------------

DICR

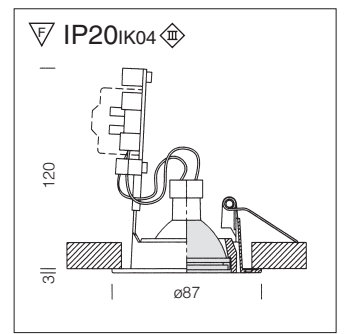
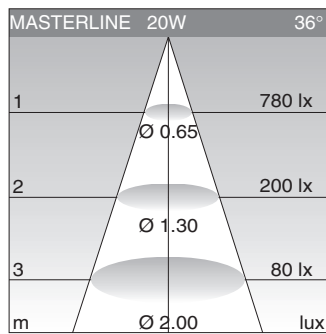
3000K  
3000h  
1800cd

36°

Ø 76

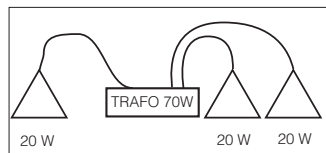
?

12  
230



<b>Mac</b>					<b>S+L</b>
GX5,3	20	DICR	0,2	white	<b>61010</b>
GX5,3	20	DICR	0,2	chrome	<b>61060</b>
GX5,3	20	DICR	0,2	m. silver	<b>61070</b>
GX5,3	20	DICR	0,2	pol. brass	<b>61090</b>

Supplied with lamp without transformer. Use one 70W transformer cod. 90818 for 3 spotlights. Efficiency + 30%. Longer duration.



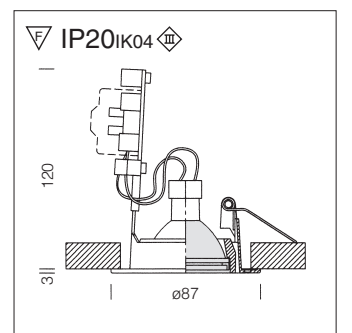
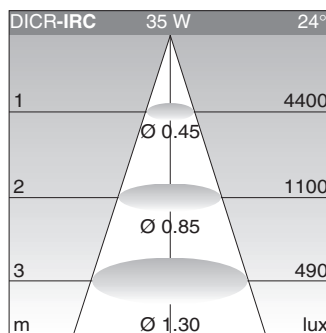
DICR-IRC

3000K  
5000h  
4400cd

M

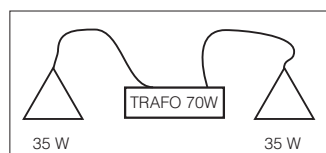
Ø 76

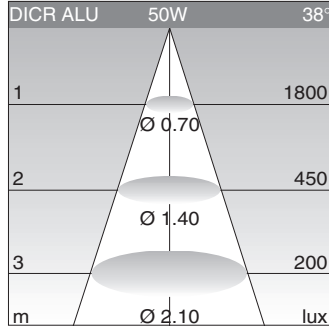
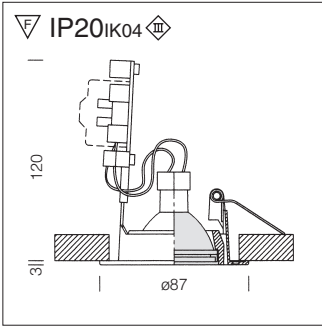
12  
230



<b>Mac 12 Volt-IRC with lamp</b>					<b>S+L</b>
GX5,3	35	DICR-IRC	0,3	white	<b>61111</b>
GX5,3	35	DICR-IRC	0,3	chrome	<b>61169</b>
GX5,3	35	DICR-IRC	0,3	m. silver	<b>61174</b>
GX5,3	35	DICR-IRC	0,3	pol. brass	<b>61192</b>

Supplied with lamp without transformer. Use one 70W transformer cod. 90818 for 2 spotlights. Efficiency + 30%. Longer duration.





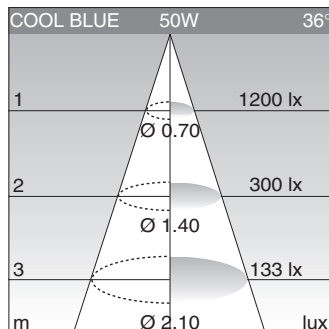
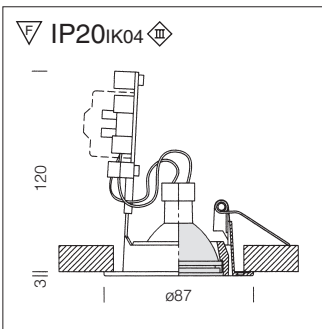
**Mac 12 Volt with aluminised lamp**

					S+L
GX5,3	50	ALU	0,3	white	<b>61416</b>
GX5,3	50	ALU	0,3	chrome	<b>61463</b>
GX5,3	50	ALU	0,3	m. silver	<b>61478</b>
GX5,3	50	ALU	0,3	pol. brass	<b>61497</b>

Complete with lamp+glass ILCOS HAG/LP50 - GU5,3 - 51/38-10 without transformer.



**3000K**
  
**3000h**
  
 1800cd
   
  
 M
   
  
 12
   
 230
   
  
  
  
 Ø 76



**Mac 12 Volt cool blue**

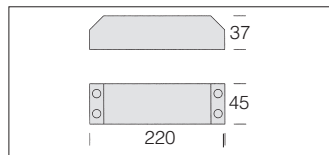
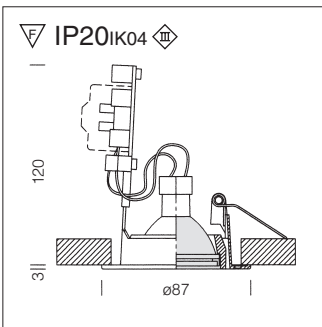
					S+L
GX5,3	50	DICR	0,3	white	<b>61210</b>
GX5,3	50	DICR	0,3	chrome	<b>61262</b>
GX5,3	50	DICR	0,3	m. silver	<b>61273</b>
GX5,3	50	DICR	0,3	pol. brass	<b>61294</b>

**- 4500 K cold light**

- average life 4000 h. Ideal for: crystal, silver, ceramics.



**4500K**
  
**4000h**
  
 1200cd
   
  
 36°
   
  
 Ø 76
   
  
  
  
 12
   
 230



**Power supply dc**

230V/12V 20W 0.10 **90838**  
 Powers up to 5 spotlights. Parallel connection.

**Mac with LED**

					S+L
GX5,3	1W	<b>LED white</b>	0,3	m. silver	<b>61371</b>
GX5,3	1W	<b>LED red</b>	0,3	m. silver	<b>61372</b>
GX5,3	1W	<b>LED green</b>	0,3	m. silver	<b>61374</b>
GX5,3	1W	<b>LED yellow</b>	0,3	m. silver	<b>61375</b>
GX5,3	1W	<b>LED blue</b>	0,3	m. silver	<b>61378</b>

Supplied with springs for recessed mounting. Use with power supply 12V-20W dc cod. 90838 (supplies 10 Mac).



**6000K**
  
 11lm
   
 1W
   
  
 Ø 76
   
  
  
  
 12
   
 230
   
**LED**