



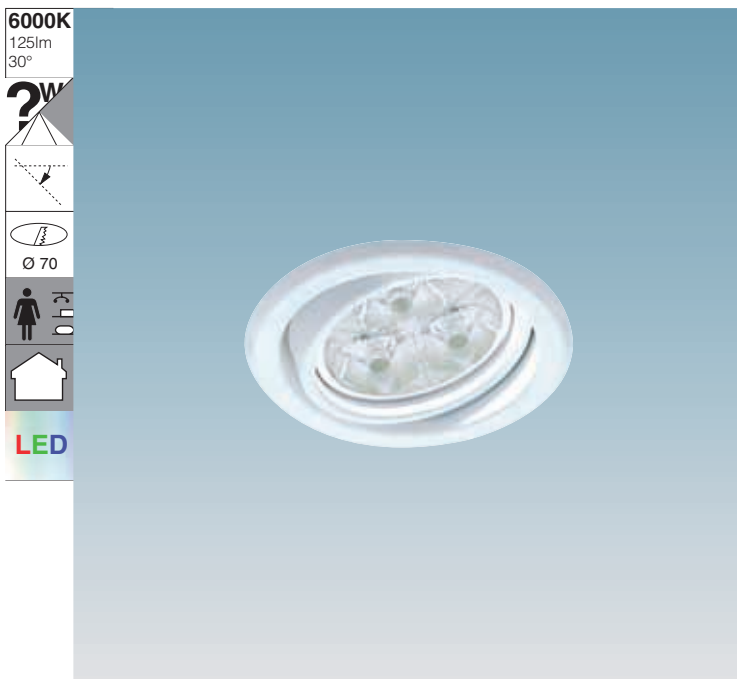
TRIPLE MONOCHROMATIC POWERLED OPTICS:

Circular LED module consisting of led lights with inbuilt optic unit. Use is recommended in decorative architectural lighting, detail-enhancing lighting for shops and displays (shop windows, etc.) and directional lighting for interiors and exteriors (corridors, halls, façades, etc.).

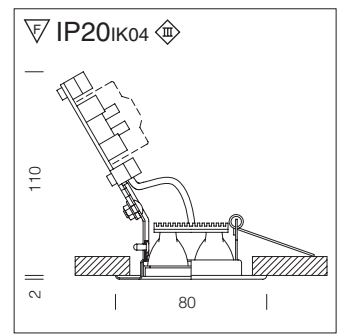
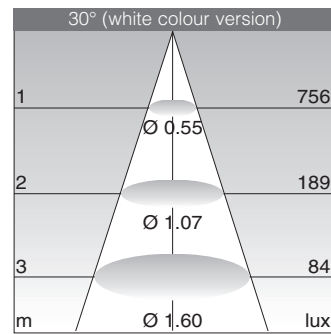
LED module with three lens incorporated with three LEDs with a power rating of 1W at 350mA; to be used with 350mA constant current electronic power supply. The working temperature range lies between -30°C to 75°C. Available in three monochromatic versions with light beam width from 6°, 30°, 45°. A POWERLED has a useful working life of approximately 50,000 hours at the maximum permitted working temperature. Use in less demanding conditions compared with the maximum conditions will extend the POWERLED's useful working life.

Connections and accessories

Use a 17W-350mA ballast included in IP65 box, code 90837, to power up to 4 products with triple monochromatic led lights. Light can be adjusted using an open push-button or a 0-10V signal with dimmable ballast.



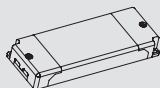
base	Watt	lamp	weight kg	colour	Code Fosnova
------	------	------	--------------	--------	-----------------



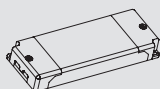
Janus POWERLED White 6000K					S+L
3x1,4W	LED white	0,3	white		62115
3x1,4W	LED white	0,3	black		62132
3x1,4W	LED white	0,3	m. silver.		62173
3x1,4W	LED white	0,3	chrome		62165
3x1,4W	LED white	0,3	brass		62196
Janus POWERLED White 3000K					S+L
3x3W	LED white	0,3	white		62111
3x3W	LED white	0,3	black		62134
3x3W	LED white	0,3	m. silver.		62172
3x3W	LED white	0,3	chrome		62167
3x3W	LED white	0,3	brass		62193

Completed with 3 LED module, powered 1,4W or 3W each, beam angle: 30° (on request 6°-45°). Power supply is to be bought separately cod. 90835-90837.

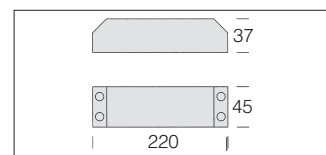
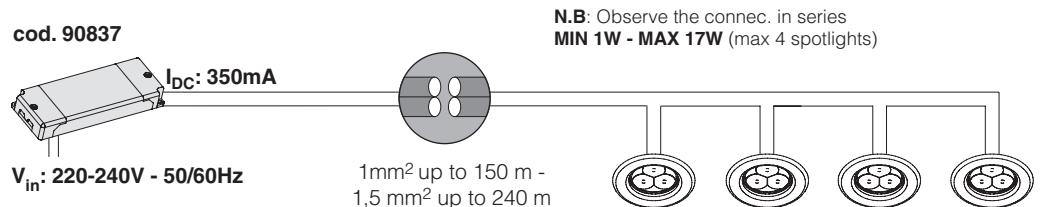
COD. 90837
Power supply LED
(for LED 1,4W)



COD. 90835
Power supply LED
(for LED 3W)



To power Janus POWERLED white 3x1,4W in series max 4 spotlights utilize LED power supply cod 90837. To power Janus POWERLED white 3x3W utilize LED power supply cod 90835 (one for a spotlight).



LED Power supply		
220-240V 350mA 17W		90837
220-240V 700mA		90835
Supplies up to max 4 spotlights. Connections in series.		

POWERLED CONNECTIONS

POWERLED TRIPLE LENS RGB:

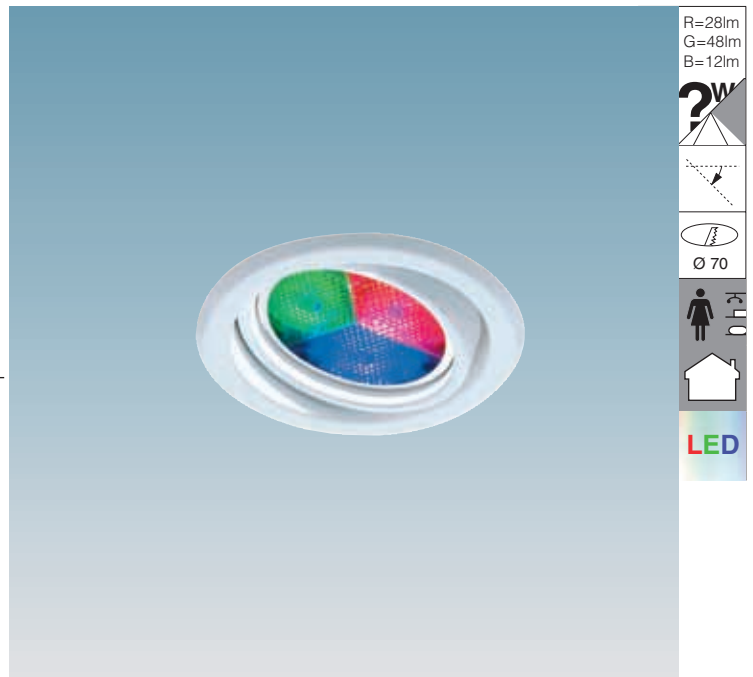
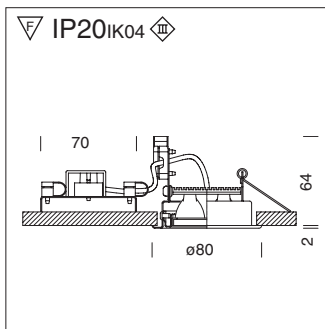
Round LED module consisting of led lights with in-built lens. The purity of the light emitted is the main feature of these led lights; particularly suitable for detail-enhancing and decorative lighting and for the creation of luminous colour effects.

LED with three built-in lenses and three LED lights, 4W, 350mA (red, green, blue). All three LED lights emit white light when switched on together. Different colours can be obtained by regulating the power supply of each single LED. Working temperature: -30°C to 75°C. Available in three RGB versions, beam angle: 6°, 30°, 45°.

Connections and accessories

High efficiency independent d.c. power generator, with reduced weight and size. 350/700mA is the direct current output of high-power LEDs, according to the type of use. Professional three-channel LED RGB colour control module, separate dimmable function available for each channel through a special potentiometer (or button), or IR remote control. Three colour changing programmes can be selected using a special button. The colour/programme selected is stored in the memory when the luminaire is switched off, also in case of a power cut. Loading of the colour changing programme. ON/OFF button, also operates with a synchronized MASTER and SLAVE system.

base	Watt	lamp	weight kg	colour	Code iFosnova
------	------	------	--------------	--------	------------------



Janus POWERLED RGB					S+L
4W	LED RGB	0,3	white		62116
4W	LED RGB	0,3	black		62133
4W	LED RGB	0,3	m. silver		62174
4W	LED RGB	0,3	chrome		62166
4W	LED RGB	0,3	brass		62197

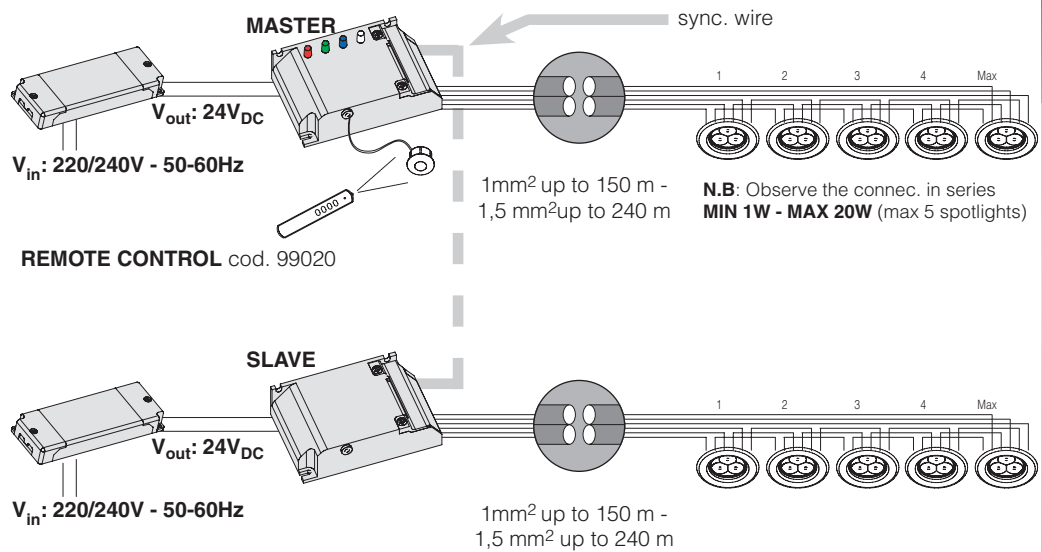
Use power supply code 90870, to power up to 5 RGB spotlights. To supply other 5 spotlights RGB in sync with MASTER, acquire SLAVE cod 90871. In case of installation in a control board, the following are supplied separately:
 - KIT1, code 90872, powers up to 5 spotlights in synchronised mode;
 - KIT2, code 90873, powers up to 10 spotlights in synchronised mode.
 For 98070/71 and KIT1-2 Remote control code 99020 is supplied separately. Otherwise acquire PLUS MASTER/SLAVE System cod. 90875;
 For PLUS System Remote control code 99020 is supplied separately. Possibility of DMX System cod. 90876.

CODE 90870
 Power supply + Master + IRE Receiver

Three-channel professional colour control module for LED RGB. Dimmable option supplied separately for each channel through a special potentiometer (or push-button). IRE remote control (code 99020) sold separately.

CODE 90871
 Power supply + Slave (to be inserted in IP65 box)

A SLAVE and power supply should be purchased to use 5 more spotlights in sync with the MASTER, up to 5 spotlights (code 90871). Can be operated using 1 MASTER and 99 SLAVES.



FOR THE FURTHER INFORMATION AND RGB CONNECTION SEE PAG. 268-269