



CDM-T

3000K
Ra=1b

35W=3300lm
70W=6600lm
150W=14000lm

CDM-R

3000K
Ra=1b

15000cd

SDW

XL

AR111

FC

24°

3000K

24°=2500cd
10°=14000cd

Ø 195

LED

Thanks to its extreme versatility, Compendio includes recessed mounting among its installation options. Multi-recessed version also available.

Housing: Die-cast aluminium, with gear box encased inside the structure.

Reflector: For Mastercolour lamp, made of oxidised and polished aluminium 99.85.

Diffuser: Clear tempered glass.

Coating: Fluid-coated with a UV-stabilised acrylic-resin paint.

Lampholder: Ceramic with silver-plated contacts.

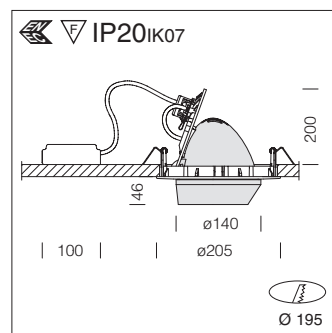
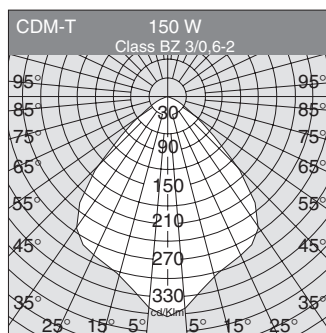
Electric gear: A230V/50Hz supply with traditional ballast or 230/12V transformer. Silicone wire with fibreglass braid, cross-section: 1.5 mm².

Power supply: With separate electric gear box equipped with plug socket connector. When the optic unit compartment rotates, the port is closed by a plate that dissipates the heat.

Regulations: Manufactured in accordance with EN 60598-1-CEI 34.21 standards. Degree of protection in accordance with EN60529 standards.

Lamps: Supplied with AR111 Mastercolour or halogen lamps. This version requires no additional accessories to be installed individually or SDW for warm colours; SPOTLED and LED RGB.

base	Watt	lamp	weight kg	colour	Code Fosnova
------	------	------	--------------	--------	-----------------

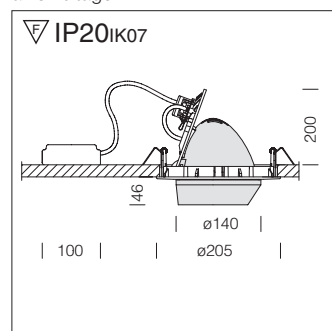


Compendio 1					CELL
G12	35	CDM-T	2,5	m. silver	89570-08
G12	70	CDM-T	2,5	m. silver	89571-08
G12	150	CDM-T	2,5	m. silver	89572-08
G12	35	CDM-T	2,5	white	89510-08
G12	70	CDM-T	2,5	white	89511-08
G12	150	CDM-T	2,5	white	89512-08

Compendio 2					CTL
GX8,5	70	CDM-R111	2,5	white	89514
GX8,5	70	CDM-R111	2,5	m. silver	89574
GX12-1	50	SDW	2,5	m. silver	89573

Compendio 2					CTL
G53	50	AR111-IRC	2,0	m. silver	89673
G53	65	AR111-IRC	2,0	m. silver	89674

Complete with gear box with transformer. Version upon request with lamp ALO25 dimmable G9 connection. Operation to mains voltage.



Compendio LED					CTL
18W	SPOTLED111 24°	2,5	m. silver		89575
18W	SPOTLED111 10°	2,5	m. silver		89576

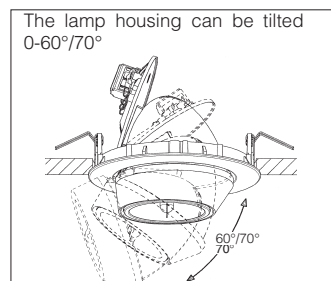
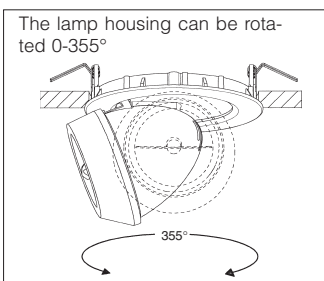
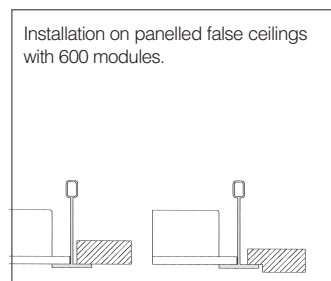
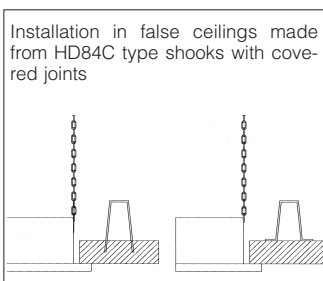
Complete with lamp of SpotLED111 type composed of 9 LED, power: 18 W and an electromech. transformer. The lamp can be orientated in any direction at 360°. The LED light is without ultraviolet and infrared components.

Version with RGB LED are available on request.

INSTALLATION ON SHOOKS								
power W	A	B	H	C	D	100	100	200
2 holes	294	596	35	271	573	•	•	•
3 holes	294	1196	35	271	1173	•	•	•
4 holes	596	596	35	573	573	•	•	•

INSTALLATION ON PANELS							
power W	A	B	H	C	D	600x600	600x1200
2 holes	294	596	35	271	573	•	
3 holes	294	1196	35	271	1173		•
4 holes	596	596	35	573	573	•	

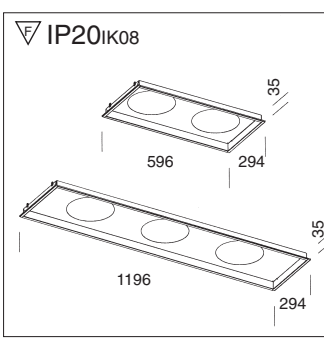
Multi-recessed ceiling fixture to be completed with Compendio floodlight. Features attachments for the use of chains, steel cable and tension rods for installation. The gear box included in the supply can be positioned onto the false ceiling or the fixture's housing.



2-fixture multi-recessed

2-hole ceiling fixture	m. silver	5490
2-hole ceiling fixture	white	5495

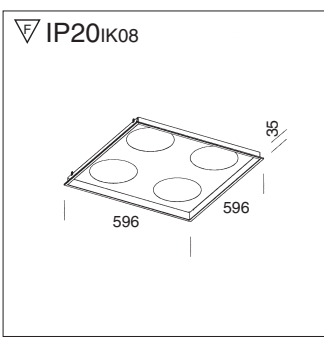
To be used together with Compendio recessed spotlight.



3-fixture multi-recessed

3-hole ceiling fixture	m. silver	5491
3-hole ceiling fixture	white	5496

To be used together with Compendio recessed spotlight.



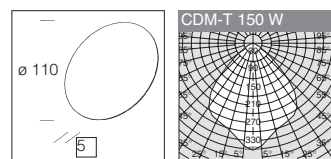
4-fixture multi-recessed

4-hole ceiling fixture	m. silver	5492
4-hole ceiling fixture	white	5497

To be used together with Compendio recessed spotlight.

Filter

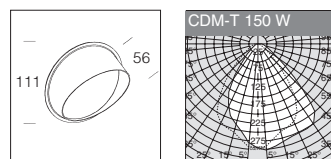
red	5480
yellow	5481
blue	5482



Conveyor

	5477
--	-------------

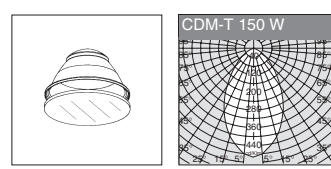
To convey the light beam in one direction.



Medium reflector

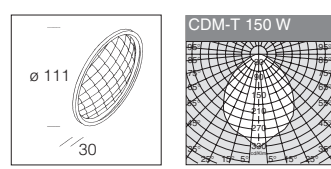
	5487
--	-------------

Medium optical system. Equipped with clear glass. Replaces standard optic unit if required.



Printed glass

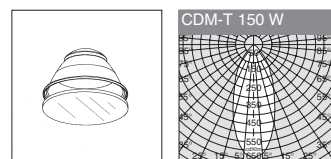
	5486
--	-------------



Narrow-beam reflector

	5488
--	-------------

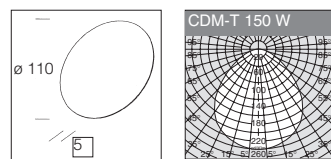
Narrow-beam optical system. Equipped with clear glass. Replaces standard optic unit if required.



Matt glass

	5489
--	-------------

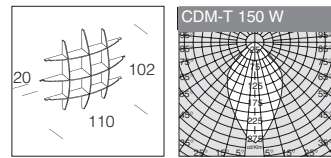
Anti-glare wide-beam matt glass.



Baffle louvre

	5478
--	-------------

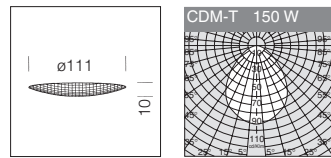
Made of steel. To reduce glare effects and direct the light beam.



Mesh to dissipate heat

	5493
--	-------------

According to regulations, the use of a mesh, at a distance of 0.80 metres, produces a temperature decrease of 20°C.



RECESSED DOWN LIGHTS