



King is a recessed or wall mounted floodlight designed to provide a solution to the lighting of environments requiring a high degree of protection.

**Housing:** Adjustable angle, made of die-cast aluminium.

**Reflector:** High-efficiency polished anodised aluminium.

**Diffuser:** Tempered glass protective shield.

**Coating:** Fluid-coated with a humidity resistant, UV-stabilised acrylic-resin paint, after a phosphochromate treatment.

**Electric gear:** 230V/50Hz power supply: Flexible wire terminated with admiralty brass clamps, silicone insulation with fibreglass braid; cross section: 1.5 mm<sup>2</sup>. 2P+T terminal block (with plug-socket connector).

**Regulations:** Manufactured in accordance with EN 60598-1-CEI 34.21 standards. Degree of protection in accordance with EN60529 standards.

**Lamps:** Supplied with discharge, halogen, compact fluorescent energy-saving lamps and LED.



base	Watt	lamp	weight kg	colour	Code Fosnova
------	------	------	--------------	--------	-----------------

ALO

**3000K**

4000h

950lm

---

FLC-D

**3000K**

Ra=1b

900lm

---

M

---

ALO

**2900K**

4000h

1100lm

---

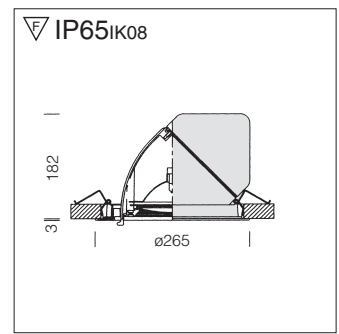
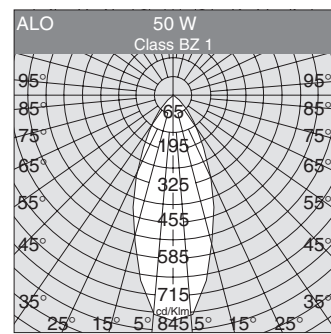
L

---

Consump.  
CNL=B2  
CNRL=B2

---

Ø 245



King					CTL
GY6,35	50	ALO	4,2	white	<b>85111</b>
GY6,35	50	ALO	4,2	m. silver	<b>85179</b>
					CNL
E27	75	ALO	3,6	white	<b>85212</b>
E27	75	ALO	3,6	m. silver	<b>85278</b>
					CNRL
G24d-1	13	FLC-D	3,8	white	<b>85414</b>
G24d-1	13	FLC-D	3,8	m. silver	<b>85476</b>

HCI-T

**3000K**

Ra=1b

70W=

7000lm

150w=

15500lm

---

Consump.  
CNL=B2

---

L

---

Ø 245

---

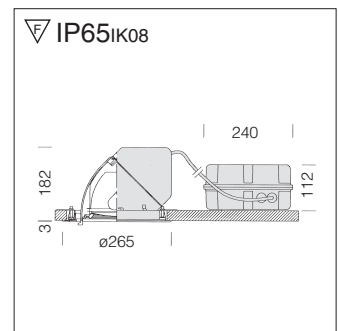
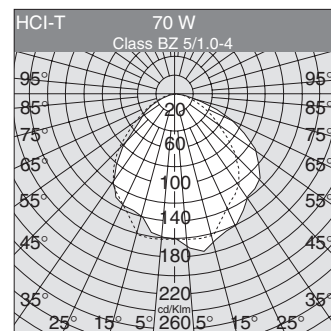
House icon

---

Leaf icon

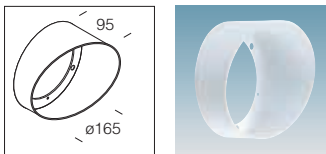
---

Wheel icon



King HCI-T					CNL
G12	70	HCI-T	6,5	white	<b>85313</b>
G12	70	HCI-T	6,5	black	<b>85337</b>
G12	70	HCI-T	6,5	m. silver	<b>85377</b>
G12	150	HCI-T	7,5	white	<b>85314</b>
G12	150	HCI-T	7,5	black	<b>85338</b>
G12	150	HCI-T	7,5	m. silver	<b>85379</b>

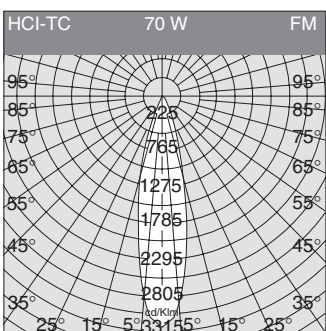
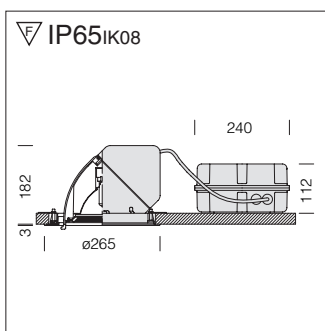
**Conveyor** ø mm 165  
 white **5321**  
 black **5331**  
 Made of steel. Conveys the light beam in a single direction.



**Frame**  
 white **91017**  
 black **91002**



base	Watt	lamp	weight kg	colour	Code iFosnova
------	------	------	--------------	--------	------------------



<b>King HCl-TC</b>					<b>CELL</b>
G8,5	70	HCl-TC - <b>FS</b>	4,2	white	<b>85510</b>
G8,5	70	HCl-TC - <b>FM</b>	4,2	white	<b>85511</b>
G8,5	70	HCl-TC - <b>FL</b>	4,2	white	<b>85512</b>

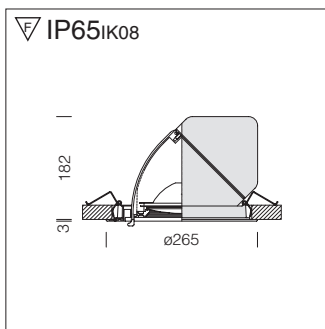


HCl-TC  
**3000K**  
**Ra=1b**  
 6400lm

S  
 M  
 L

Ø 245

new



**King POWERLED**  
 Versions with POWERLED wide, medium and narrow beam are available on request.



S  
 M  
 L

Ø 245

LED

new