



Delta housing : tilting design, in die-cast aluminium.

Delta reflector: oxidised and polished aluminium.

Delta diffusor: Protective, heat treated glass.

Lampholder: ceramic and with silver-plated contacts.

Painting: dust painted, using polyester epoxy paint resistant to UV rays.

Wiring: In separate box with socket-plug. 230/50Hz power supply. Flexible wire, terminated with tin-plated brass caps, insulated with silicon with 1.5 sq.mm cross-section glass yarn sheath. 2P terminal strip with socket-plug connection.

Standards: Products in compliance with EN 60598-1-CEI 34.21 standards, with a degree of protection complying with EN 60529 standards.

Delta lamps: Complete with discharged lamps.

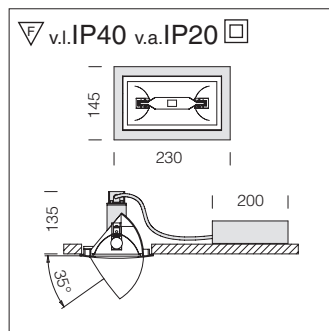
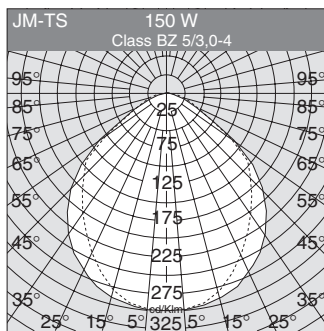


base	Watt	lamp	weight kg	colour	Code "Fosnova
------	------	------	--------------	--------	------------------

JM-TS
3000K
Ra=2a
5100lm

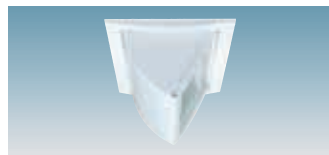
CDM-TS
3000K
Ra=1b
13250lm

225x125



Delta					CNRL
RX7s	70	JM-TS	4,60	white	68810
RX7s	150	JM-TS	4,60	white	68811
RX7s	70	CDM-TS	4,60	white	68810-85
RX7s	150	CDM-TS	4,60	white	68811-85

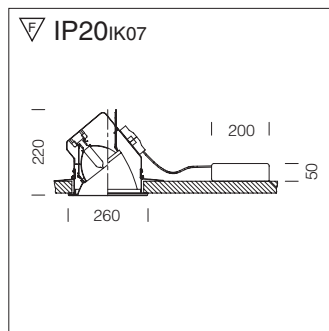
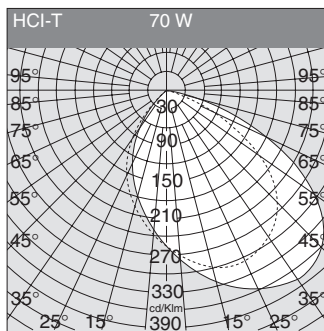
An adjustable spotlight particularly suitable for the illumination of vertical surfaces.



HCI-T
2900K
Ra=1b
700lm

ø255

new



Rond 3					CELL
G12	70	HCI-T	3,00	white	174018

Housing: steel.

Reflector: High-efficiency plated anodised and polished aluminium.

These fixtures are ideal for areas with a small amount of space between the false ceiling and the ceiling.

Housing: Die-cast aluminium with cooling equipment.

Reflector: Asymmetric; high-performance hammered aluminium

Diffusor: Protective, heat treated glass.

Coating: Power-coated with a UV-resistant polyester epoxy paint.

Electric gear: Wall mounted gear box with plug-socket. 230V/50Hz power supply: Flexible wire terminated with admiralty brass clamps, silicone insulation with fibreglass braid; cross section: 1.5 mm². 2P terminal block (with plug-socket connector).

Equipment: Supplied with adjustable brackets for recessed installation.

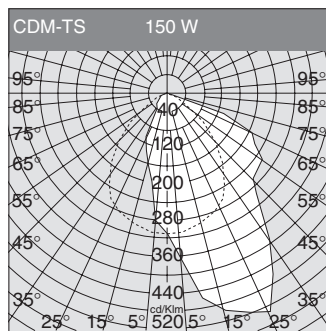
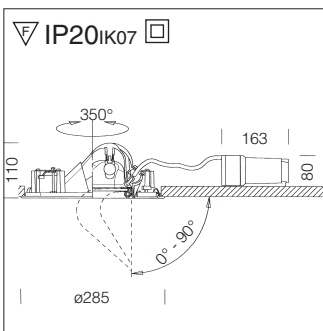
Regulations: Manufactured in accordance with EN 60598-1-CEI 34.21 standards. Degree of protection in accordance with EN60529 standards.

Lamps: Supplied with discharge, compact fluorescent energy-saving lamps.



David Jason - Scunthorpe - England

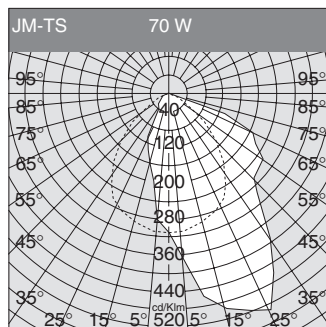
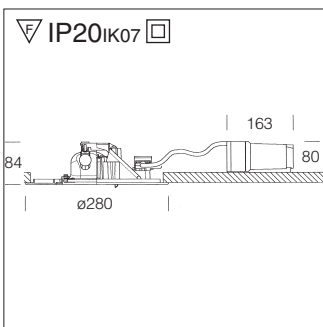
base	Watt	lamp	weight kg	colour	Code fosnova
------	------	------	--------------	--------	-----------------



CDM-TS
3000K
Ra=1b
13250lm
Consump. CNRL=B2
ASYM.
270x270
45°
UV
ASIM.

Fix 2 Q adjustable					CNRL
RX7s	70	CDM-TS	4,00	m. silver	68975-85
RX7s	150	CDM-TS	5,00	m. silver	68977-85

Complete with a protective glass front cover. Baffle louvre cod 91071 not included.



CDM-TS
3000K
Ra=1b
13250lm
JM-TS
3000K
Ra=2a
5100lm
Consump. CNRL=B2
ASIM.
Ø 255
UV
ASIM.

Fix 2 TS					CNRL
RX7s	70	JM-TS	4,00	m. silver	69976
RX7s	70	CDM-TS	4,00	m. silver	69976-85

Complete with a protective glass front cover. Baffle louvre cod 91071 not included.