

CDM-R

3000K

Ra=1b

5000cd

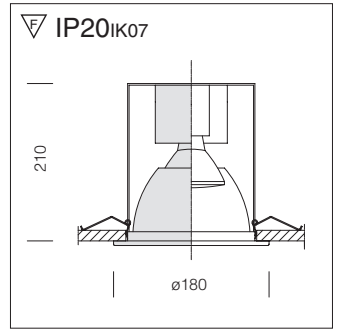
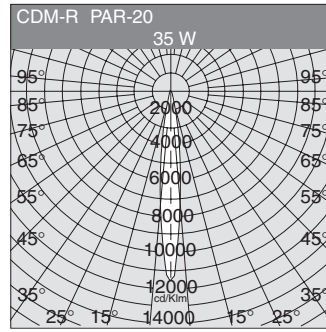
ø170

15°

335°

new





Euroma 1 - adjustable				CELL
E27	35	CDMR-PAR-20	white	173910

Housing: die-cast aluminium.
Reflector: High-efficiency plated anodised and polished aluminium.
 Possibility of beam angle directioning: 15°.

CDM-R

3000K

Ra=1b

13500cd

ø185

30°

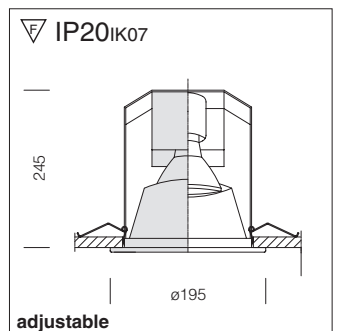
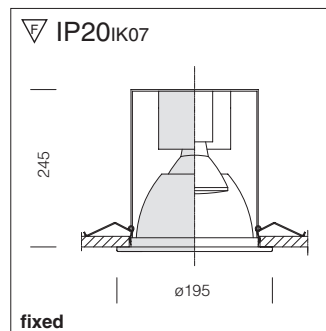
335°

new



1

2



Euroma 2 - fixed				CELL
E27	70	CDMR-PAR-30	white	173911

Housing: die-cast aluminium.
Reflector: High-efficiency plated anodised and polished aluminium. Version with beam 30°. **fig.1**

Euroma 2 - adjustable				CELL
E27	70	CDMR-PAR-30 30°	white	173811
E27	70	CDMR-PAR-30 10°	white	173811-22

Housing: die-cast aluminium with the possibility to adjust the bracket at 30°.
Reflector: High-efficiency plated anodised and polished aluminium. Version with undercode 22 with beam 10°. **fig.2**

FLC-D/E

4000K

Ra=1b

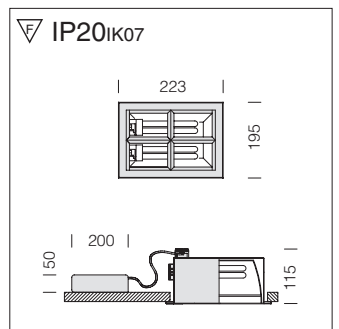
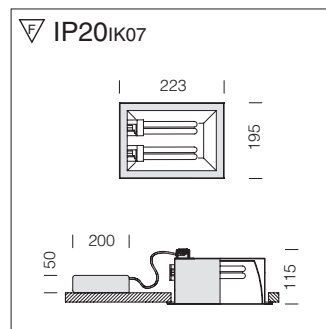
1800lm

Consump. CELL=A2

175x210

new





Kent 2				CELL
G24q-3	2x26	FLC-D/E	1,00 white	174310

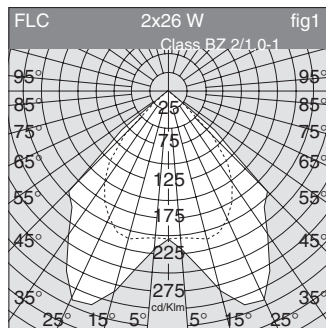
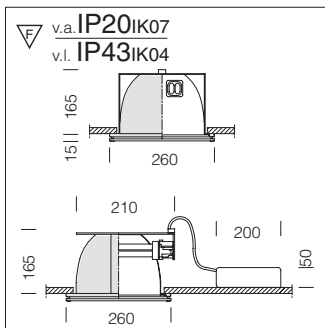
CELL-E				174310-09
G24q-3	2x26	FLC-D/E	1,00 white	174310-09

Housing: die-cast aluminium.
Reflector: High-efficiency plated anodised and polished aluminium.

Kent 3				CELL
G24q3	2x26	FLC-D/E	1,00 white	174315

CELL-E				174315-09
G24q3	2x26	FLC-D/E	1,00 white	174315-09

Housing: die-cast aluminium.
Reflector: High-efficiency plated anodised and polished aluminium.



Carré 2 with clear glass

CELL

G24q-3	2x26	FLC-D	3,00	white	174112-08
GX24q-4	2x42	FLC-T/E	3,00	white	174114

Housing: steel.

Reflector: High-efficiency plated anodised and polished aluminium.

fig.1

Carré 3 with printed glass

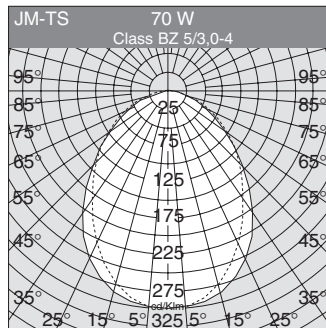
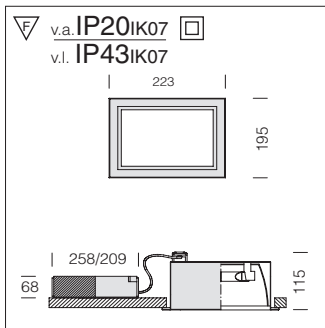
CELL

G24q-3	2x26	FLC-D	3,00	white	174115-08
GX24q-4	2x42	FLC-T/E	3,00	white	174117

Housing: steel.

Reflector: High-efficiency plated anodised and polished aluminium.

fig.2



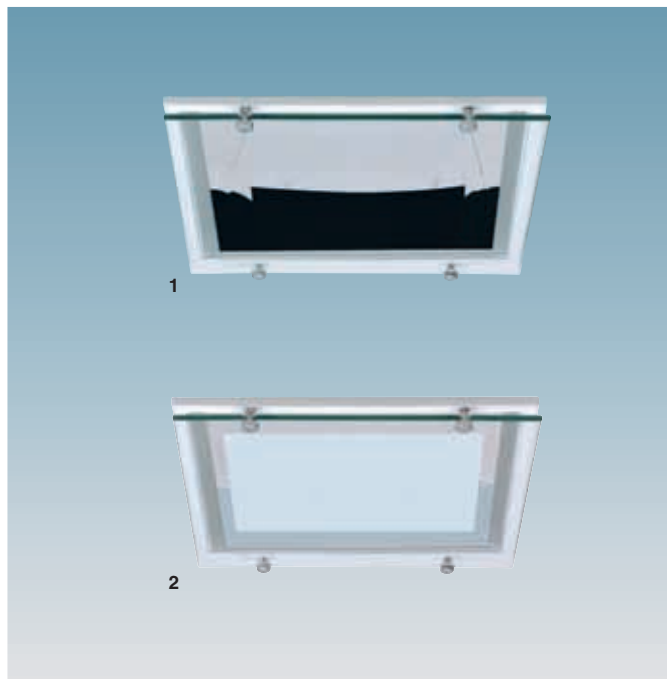
Kent 1

CNRL

RX7s	70	JM-TS	1,00	white	174210
RX7s	70	CDM-TS	1,00	white	174210-85

Housing: die-cast aluminium.

Reflector: High-efficiency plated anodised and polished aluminium.



FLC-D
3000K
Ra=1b
1200lm
Consump.
CELL=A2

230x230



JM-TS
3000K
Ra=2a
5100lm
CDM-TS
3000K
Ra=1b
13250lm
Consump.
CNRL=B2

175x210