



Housing: Made of sheet steel.

Lampholder: Ceramic with silver-plated contacts.

Coating: Fluid-coated with a humidity resistant, UV-stabilised acrylic-resin paint, after a phosphochromate treatment. A different galvanic finishing process is used for chromium-plated and polished brass versions.

Electric gear: Transformer to be purchased separately.

Equipment: With springs for false ceilings (max. 25mm).

Regulations: Manufactured in accordance with EN 60598-1-CEI 34.21 standards. Degree of protection in accordance with EN60529 standards.

Lamps: Version is supplied with DICR-IRC or ALO 230V lamps, warm colour. LED 230V base GU10 version is ideal for passageways and POWERLED White version 3x1,4W (beam angle 6°-30°-45°) is ideal for luminous effects for energy saving; it's also available in RGB version.



3000K

5000h

 4400cd

24°

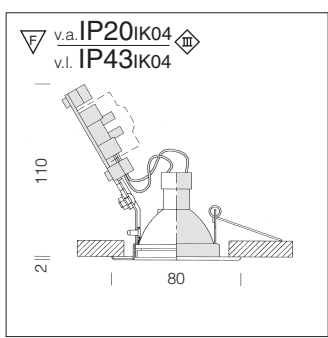
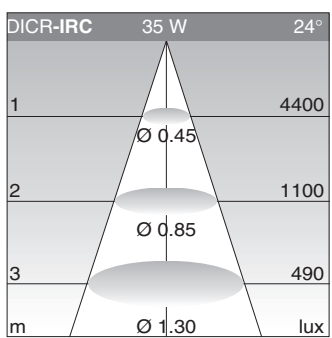
Ø 60

12

 230



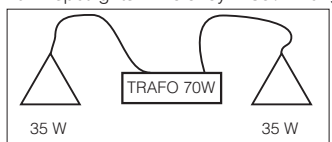
base	Watt	lamp	weight kg	colour	Code Fosnova
------	------	------	-----------	--------	--------------



Deimos 12 volt

					S+L
GX5,3	35	DICR-IRC	0,3	white	64016
GX5,3	35	DICR-IRC	0,3	black	64036
GX5,3	35	DICR-IRC	0,3	m. silver	64070
GX5,3	35	DICR-IRC	0,3	chrome	64066
GX5,3	35	DICR-IRC	0,3	brass	64096

Complete with lamp without transformer cod. 90818. Use one 70W transformer for 2 spotlights. Efficiency + 30%. Longer duration.



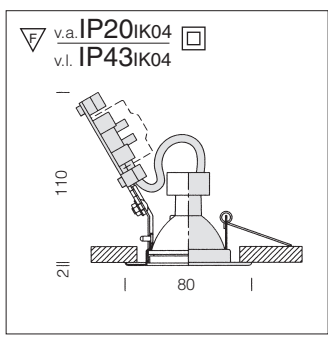
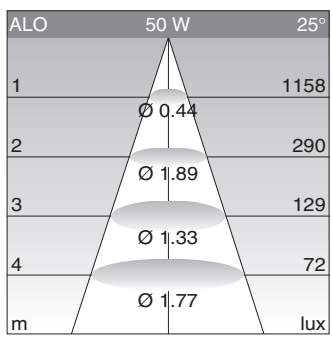
2900K

2000h

 950lm

M

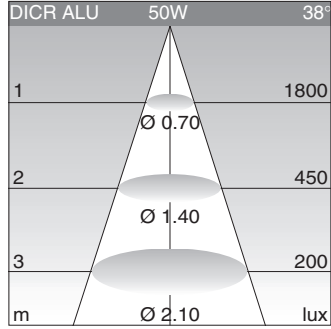
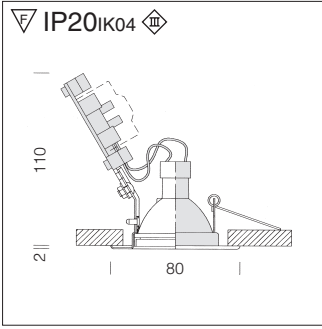
Ø 60



Deimos 230v

					S+L
GU10	50	ALO	0,3	white	64018
GU10	50	ALO	0,3	black	64038
GU10	50	ALO	0,3	m. silver	64078
GU10	50	ALO	0,3	chrome	64068
GU10	50	ALO	0,3	brass	64098

Complete with 230V lamps, mains voltage operation without transformer.



Deimos with aluminised lamp

S+L

GX5,3	50	ALU	0,3	white	63917
GX5,3	50	ALU	0,3	black	63937
GX5,3	50	ALU	0,3	m. silver	63977
GX5,3	50	ALU	0,3	chrome	63967
GX5,3	50	ALU	0,3	brass	63997

Includes ILCOS HAG/LP50 lamp – GU 5.3 – 51/38-10 transmits reduced heat from the rear of the fixture.



3000K

3000h

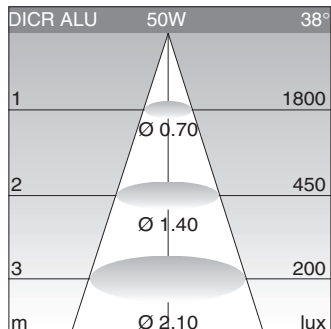
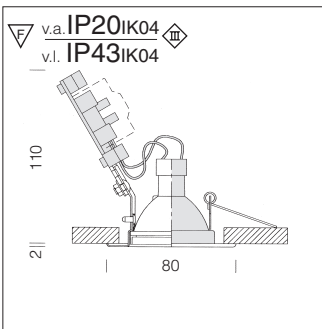
 1800cd

 M

 Ø 60

 12

 230



Deimos with a lamp+glass

S+L

GX5,3	50	DICR	0,3	white	63919
GX5,3	50	DICR	0,3	black	63939
GX5,3	50	DICR	0,3	m. silver	63979
GX5,3	50	DICR	0,3	chrome	63969
GX5,3	50	DICR	0,3	brass	63999

With lamp and glass.

Supplied in individual bags, packaged in 10-piece boxes.



3000K

3000h

 1800cd

 38°

 Ø 60

 12

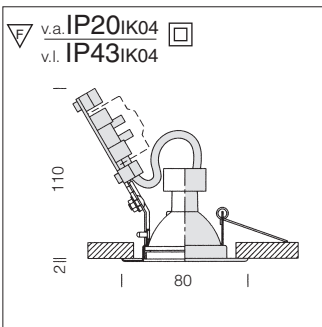
 230

Deimos with a lamp+glass+ballast DIMM

S+L+T

GX5,3	50	DICR	0,3	white	63918
GX5,3	50	DICR	0,3	m. silver	63978

Complete with lamp, glass and dimmable transformer. Supplied in individual bags, packaged in 5-piece boxes.



Deimos LED - 230V

S+L

GU10	1,5W	LED white	0,3	white	63510
GU10	1,5W	LED white	0,3	black	63531
GU10	1,5W	LED white	0,3	m. silver	63575
GU10	1,5W	LED white	0,3	chrome	63562
GU10	1,5W	LED white	0,3	brass	63593

Complete with LED of 1,5W white, mains voltage operation 220-240V/50-60hz.



3000K

 51lm

 30°

 Ø 60



TRIPLE MONOCHROMATIC POWERLED OPTICS:

Circular LED module consisting of LED lights with inbuilt optic unit. Use is recommended in decorative architectural lighting, detail-enhancing lighting for shops and displays (shop windows, etc.) and directional lighting for interiors and exteriors (corridors, halls, façades, etc.).

LED module with three lens incorporated with three LEDs with a power rating of 1W at 350mA; to be used with 350mA constant current electronic power supply. The working temperature range lies between -30°C to 75°C. Available in three monochromatic versions with light beam width from 6°, 30°, 45°. A POWERLED has a useful working life of approximately 50,000 hours at the maximum permitted working temperature. Use in less demanding conditions compared with the maximum conditions will extend the POWERLED's useful working life.

Connections and accessories

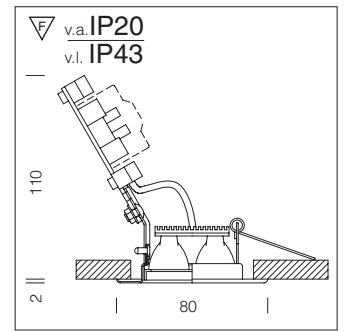
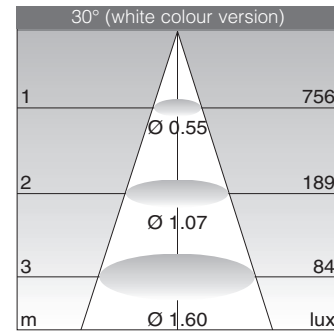
Use a 17W-350mA ballast included in IP65 box, code 90837, to power up to 4 products with triple monochromatic LED lights. Light can be adjusted using an open push-button or a 0-10V signal with dimmable ballast.



base	Watt	lamp	weight kg	colour	Code Fosnova
------	------	------	--------------	--------	-----------------

6000K
125lm
30°

LED



Deimos POWERLED White 6000K

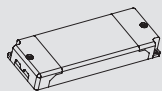
	S+L
3x1,4W LED white	0,3 white 63914
3x1,4W LED white	0,3 black 63936
3x1,4W LED white	0,3 m. silver 63974
3x1,4W LED white	0,3 chrome 63963
3x1,4W LED white	0,3 brass 63991

Deimos POWERLED White 3000K

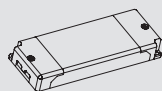
	S+L
3x3W LED white	0,3 white 63913
3x3W LED white	0,3 black 63931
3x3W LED white	0,3 m. silver 63971
3x3W LED white	0,3 chrome 63966
3x3W LED white	0,3 brass 63993

Complete with three LED module of 1,4W or 3W each, beam angle: 30° (on request 6°-45°). Acquire power supply cod. 90835-90837 separately.

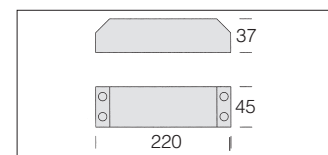
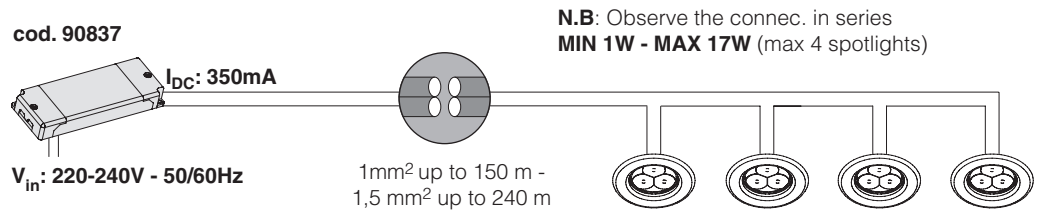
COD. 90837
Power supply LED



COD. 90835
Power supply LED
(for led 3W)



To power Deimos Poweredled white 3x1,4W in series max 4 spotlights utilize power supply LED cod 90837.
To power Deimos Poweredled white 3x3W utilize LED power supply cod 90835 (one for a spotlight).



LED Power supply
220-240V 350mA 17W **90837**
220-240V 700mA **90835**
Supplies up to max 4 spotlights.
Connections in series.

POWERLED TRIPLE LENS RGB:

Round LED module consisting of LED lights with in-built lens. The purity of the light emitted is the main feature of these LED lights; particularly suitable for detail-enhancing and decorative lighting and for the creation of luminous colour effects.

LED with three built-in lenses and three LED lights, 4W, 350mA (red, green, blue).

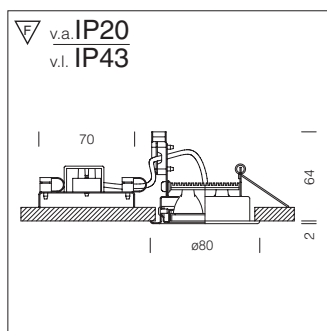
All three LED lights emit white light when switched on together. Different colours can be obtained by regulating the power supply of each single LED. Working temperature: -30°C to 75°C. Available in three RGB versions, beam angle: 6°, 30°, 45°.

Connections and accessories

High efficiency independent d.c. power generator, with reduced weight and size. 350/700mA is the direct current output of high-power LEDs, according to the type of use.

Professional three-channel LED RGB colour control module, separate dimmable function available for each channel through a special potentiometer (or button), or IR remote control. Three colour changing programmes can be selected using a special button. The colour/programme selected is stored in the memory when the luminaire is switched off, also in case of a power cut. Loading of the colour changing programme. ON/OFF button, also operates with a synchronized MASTER and SLAVE system.

base	Watt	lamp	weight kg	colour	Code ifosnova
------	------	------	--------------	--------	------------------



R=28lm
G=48lm
B=12lm

Ø 60

12
230

LED

Deimos POWERLED RGB

				S+L
4W	LED RGB	0,3	white	63916
4W	LED RGB	0,3	black	63932
4W	LED RGB	0,3	m. silver.	63973
4W	LED RGB	0,3	chrome	63964
4W	LED RGB	0,3	brass	63992

Use power supply code 90870, to power up to 5 RGB spotlights.
To supply other 5 spotlights RGB in sync with MASTER, acquire SLAVE cod 90871.
In case of installation in a control board, the following are supplied separately:
- KIT1, code 90872, powers up to 5 spotlights in synchronised mode;
- KIT2, code 90873, powers up to 10 spotlights in synchronised mode.
For 98070/71 and KIT1-2 Remote control code 99020 is supplied separately.
Otherwise acquire PLUS MASTER/SLAVE System cod. 90875;
For PLUS System Remote control code 99020 is supplied separately.
Possibility of DMX System cod. 90876.

CODE 90870

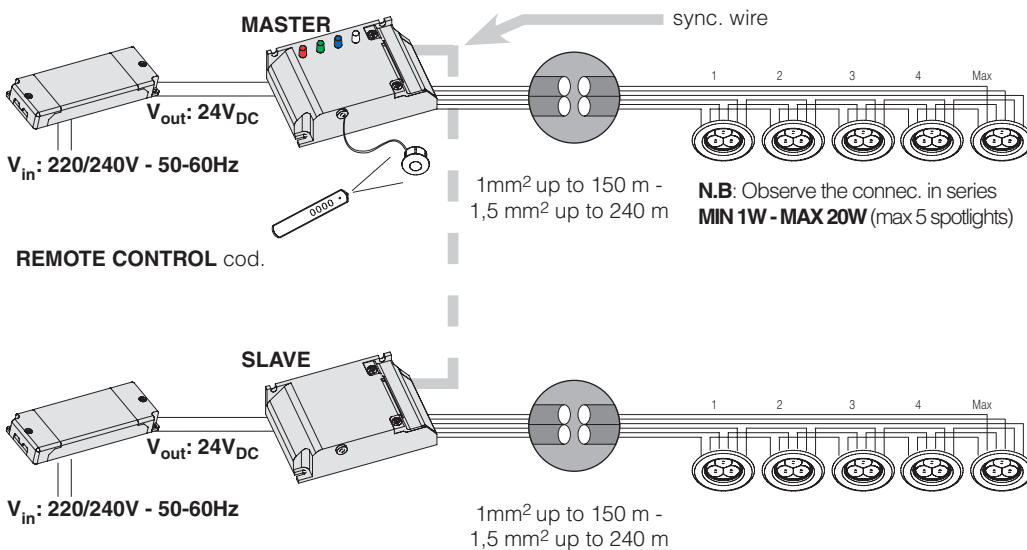
Power supply + Master + IRE Receiver

Three-channel professional colour control module for LED RGB. Dimmable option supplied separately for each channel through a special potentiometer (or push-button). IRE remote control (code 99020) sold separately.

CODE 90871

Power supply + Slave (to be inserted in IP65 box)

A SLAVE and power supply should be purchased to use 5 more spotlights in sync with the MASTER, up to 5 spotlights (code 90871). Can be operated using 1 MASTER and 99 SLAVES.



FOR THE FURTHER INFORMATION AND RGB CONNECTION SEE PAG. 268-269