



Recessed spotlights ideal for modern surroundings.

Housing: Die-cast zamak.

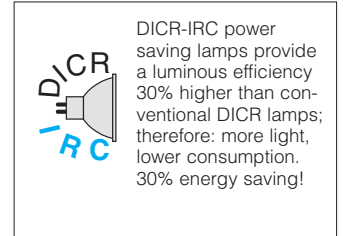
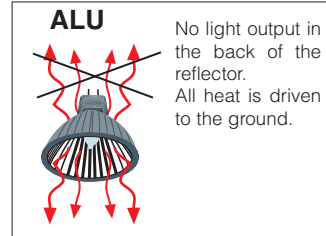
Lampholder: Ceramic with silver-plated contacts.

Coating: Fluid-coated with a humidity resistant, UV-stabilised acrylic-resin paint. A different galvanic finishing process is used for chromium-plated and polished brass versions.

Electric gear: Transformer to be purchased separately.

Equipment: With springs for false ceilings (max. 20mm).

Regulations: Manufactured in accordance with EN 60598-1-CEI 34.21 standards. Degree of protection in accordance with EN60529 standards.



base	Watt	lamp	weight kg	colour	Code Fosnova
------	------	------	-----------	--------	--------------

DICR-IRC
3000K
5000h
4400cd

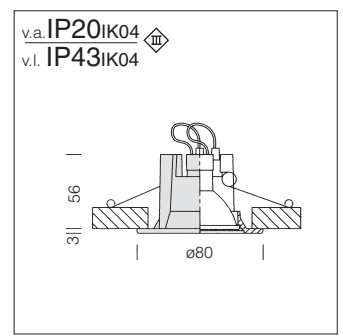
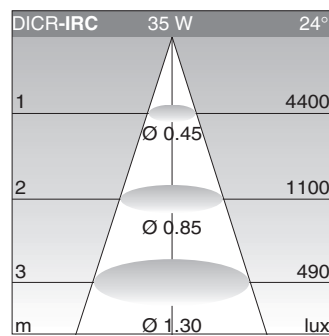
24°

UV STOP

Ø 66

12
230

Person icon, House icon



Sirio 12 Volt with lamp IRC

					S+L
GX5,3	35	DICR-IRC	0,3	white	63615
GX5,3	35	DICR-IRC	0,3	black	63609
GX5,3	35	DICR-IRC	0,3	chrome	63663
GX5,3	35	DICR-IRC	0,3	pol. brass	63699
GX5,3	35	DICR-IRC	0,3	gold	63684

Supplied with lamp without transformer. Use one 70W transformer code 90818 for 2 spotlights. Efficiency + 30%. Longer duration.

ALO

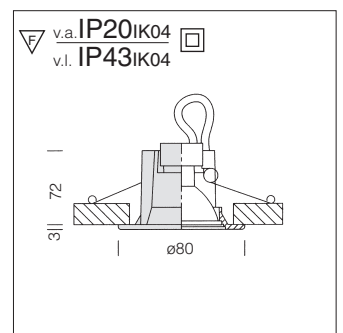
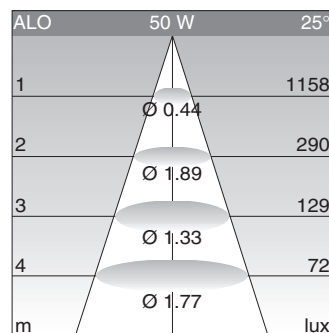
2900K
2000h
950lm

M

UV STOP

Ø 66

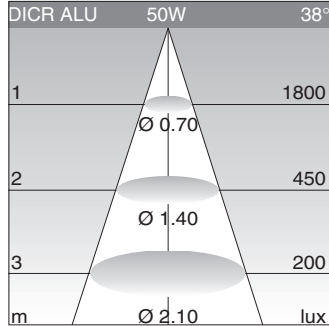
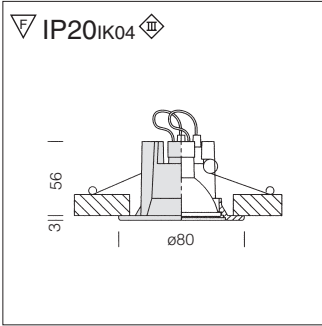
Person icon, House icon



Sirio 230V with lamp

					CNL
GU10	50	ALO	0,4	white	63618
GU10	50	ALO	0,4	black	63608
GU10	50	ALO	0,4	chrome	63668
GU10	50	ALO	0,4	pol. brass.	63698
GU10	50	ALO	0,4	gold	63688

Supplied with 230V lamps, mains voltage operated without transformer. Supplied in individual bags, packaged in 10-piece boxes.



Sirio 12 Volt with aluminised lamp

S+L

GX5,3	50	ALU	0,3	white	64618
GX5,3	50	ALU	0,3	black	64603
GX5,3	50	ALU	0,3	chrome	64666
GX5,3	50	ALU	0,3	pol. brass	64693
GX5,3	50	ALU	0,3	gold	64687

Brand ▽ only with lamps, code ILCOS HAG/LP50-12-GU5,3-51/38



ALU

3000K
3000h
1800cd

38

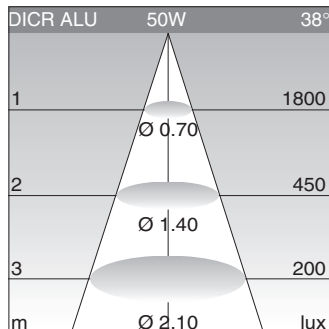
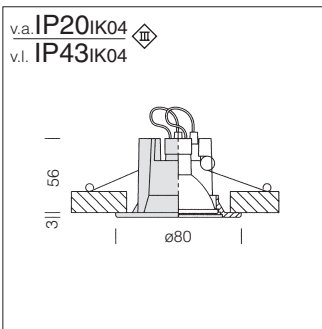
UV STOP

Ø 66

12
230

Person icon

House icon



Sirio 12 Volt with lamp + glass

S+L

GX5,3	50	DICR	0,3	white	63719
GX5,3	50	DICR	0,3	black	63707
GX5,3	50	DICR	0,3	chrome	63767
GX5,3	50	DICR	0,3	pol. brass	63794
GX5,3	50	DICR	0,3	gold	63788

Supplied with lamp without transformer.
Supplied in individual bags, packaged in 5-piece boxes.



DICR

3000K
3000h
1800cd

38

?W

Ø 66

12
230

Person icon

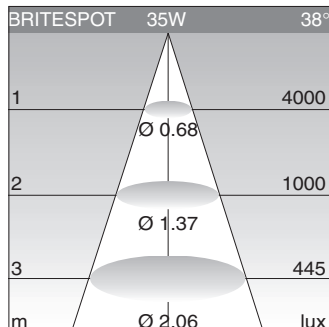
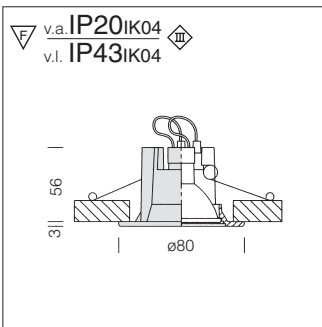
House icon

Sirio 12 Volt with lamp + glass + transformer DIMM

S+L+T

GX5,3	50	DICR	0,3	white	63718
GX5,3	50	DICR	0,3	m. silver	63778

Supplied with lamp with glass and transformer. Supplied in individual bags, packaged in 5-piece boxes.



Sirio BRITESPOT 35W

CELL

GX10	35	BRITESPOT	0,3	white	63311
GX10	35	BRITESPOT	0,3	m. silver	63372

Complete with lamp and electronic ballast to be used for panel ceilings only.

Sirio CDM-R MINI

CELL

Gx10	20	CDM-R MINI	0,3	white	63312
Gx10	20	CDM-R MINI	0,3	m. silver	63373

Complete with lamp and electronic ballast to be used for panel ceilings only.



BRITE

3000K
Ra=1a
4000cd

38°

CDM-R MINI

3000K
Ra=1a
3300cd

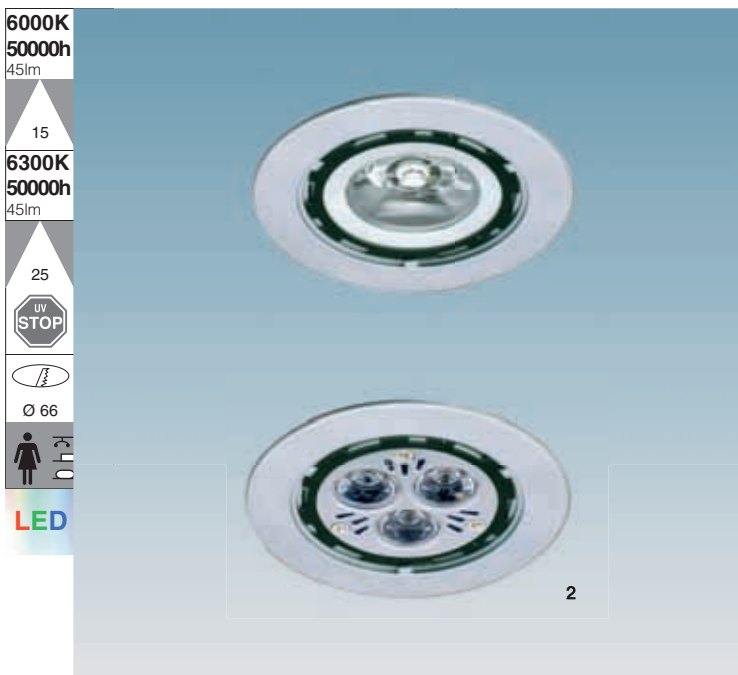
25°

?W

Ø 66

12
230

RECESSED
DOWN LIGHTS

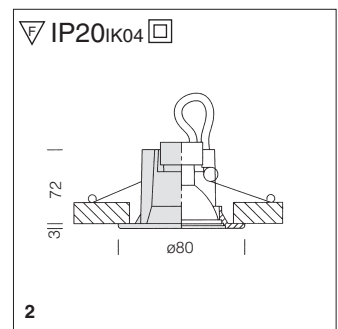
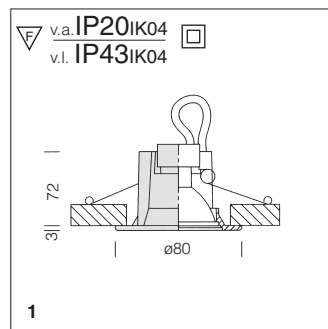


Technical information:

LED module with inbuilt lenses and power LED. Suitable for architectural lighting (tangential, niche, detail-enhancing light), display lighting (shop windows) and directional lighting.

Modules equipped with high-power **LEDs** rated at 1.2W/350 mA. Use at room temperature (30°±50°C) is recommended. Supply power at 350 mA with electronic d.c. transformers. Available in two monochromatic versions with light beam width from 15°, 30°. A POWERLED has a useful working life of approximately **50,000** at the maximum permitted operating temperature. Use in less demanding conditions will increase the POWERLED's useful working life.

base	Watt	lamp	weight kg	colour	Code Fosnova
------	------	------	-----------	--------	--------------



Sirio POWERLED - 230V

				S+L
3W	LED white	0,3	white	63410
3W	LED white	0,3	black	63432
3W	LED white	0,3	m. silver.	63471
3W	LED white	0,3	chrome	63463
3W	LED white	0,3	brass	63494

Complete with POWERLED of 3W, beam angle 25°, COOL WHITE, 220-240V/50-60Hz, without transformer.

Sirio POWERLED - 230V

				S+L
3x1W	LED white	0,3	white	64910
3x1W	LED white	0,3	black	64931
3x1W	LED white	0,3	m. silver.	64972
3x1W	LED white	0,3	chrome	64964
3x1W	LED white	0,3	brass	64995

Complete with LED 3x1W, beam angle 15°, mains voltage operation 220-240V/50-60Hz. On request the version with LED 3x3W is also available.

KIT Sirio

				CTL
3x1,4W	LED white	0,3	white	64312
3x1,4W	LED white	0,3	silver	64373

The box complete with power supply of 350 mA

TRIPLE MONOCHROMATIC POWERLED OPTICS:

Circular LED module consisting of LED lights with inbuilt optic unit. Use is recommended in decorative architectural lighting, detail-enhancing lighting for shops and displays (shop windows, etc.) and directional lighting for interiors and exteriors (corridors, halls, façades, etc.).

LED module with three lens incorporated with three LEDs with a power rating of 1W at 350mA; to be used with 350mA constant current electronic power supply. The working temperature range lies between -30°C to 75°C. Available in three monochromatic versions with light beam width from 6°, 30°, 45°. A POWERLED has a useful working life of approximately 50,000 hours at the maximum permitted working temperature. Use in less demanding conditions compared with the maximum conditions will extend the POWERLED's useful working life.

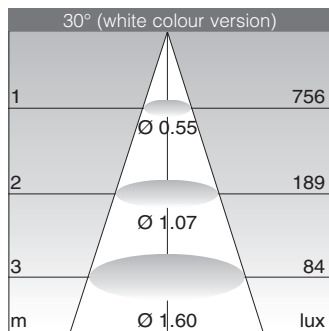
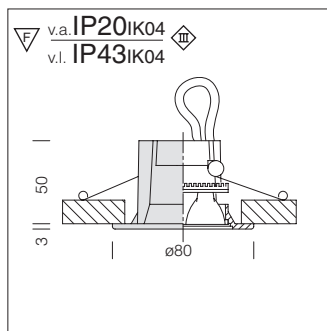
Connections and accessories

Use a 17W-350mA ballast included in IP65 box, code 90837, to power up to 4 products with triple monochromatic LED lights. Light can be adjusted using an open push-button or a 0-10V signal with dimmable ballast.

Sirio in POWERLED RGB version is available on request



base	Watt	lamp	weight kg	colour	Code ifosnova
------	------	------	--------------	--------	------------------



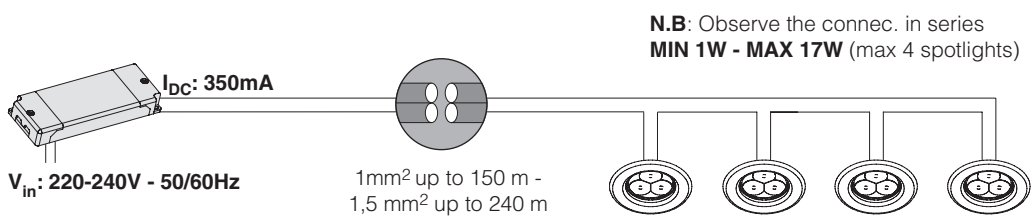
6000K
125lm
30°
30
UV STOP
Ø 66
LED

Sirio POWERLED White					S+L
3x1,4W LED white	0,3	white			64310
3x1,4W LED white	0,3	black			64330
3x1,4W LED white	0,3	m. silver.			64371
3x1,4W LED white	0,3	chrome			64362
3x1,4W LED white	0,3	brass			64395

Complete with 3 LED module of 1,4W each, beam angle 30° (on request 6°-45°).
On request: the version with LED in warm-white colour.
Electronic power supply is to be bought separately cod 90837.

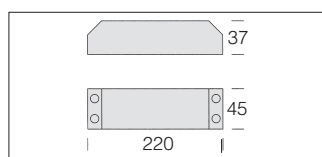
CODE 90837
Power supply LED

To supply in series max 4 spotlights utilize power supply LED code 90837



N.B: Observe the connec. in series
MIN 1W - MAX 17W (max 4 spotlights)

Power supply LED
220-240V 350mA 17W **90837**
Supplies up to 4 spotlights. Connection in series.



RECESSED DOWN LIGHTS

POWERLED CONNECTION



6300K
45lm

UV STOP

Ø 38

LED

M60 Housing: Turned aluminium.

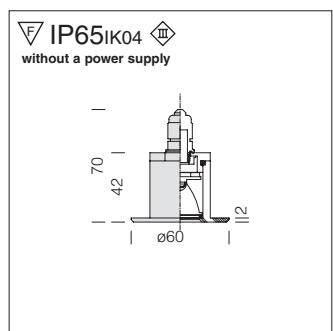
Electric gear: Separate 350/700mA dc transformer; RGB version can be used with a MASTER and SLAVE control module.

M60 Equipment: Standard version is supplied with screws and anchoring brackets for ø 60mm circular profile section for installation on brick walls, 4m outer wire fitted.

Standards: Products comply with EN 60598-1-CEI 34.21 standards, with a level of protection complying with EN 60529 standards.

Lamps: On request LED in coloured versions (blue, red, yellow, green).

base	Watt	lamp	weight kg	colour	Code Fosnova
------	------	------	--------------	--------	-----------------

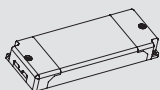


M60 LED white	S+L
1x1,4W LED white 0,2 white	61511
1x1,4W LED white 0,2 m. silver	61570
1x1,4W LED white 0,2 chrome	61562
1x3W LED white 0,2 white	61512
1x3W LED white 0,2 m. silver	61571
1x3W LED white 0,2 chrome	61563

Possibility of choice of beam lens angle (10°-25°-40°).
 Complete with LED white. On request: the version with LED in warm-white colour.
 - Electronic power supply is to be bought separately dc 350mA cod 90832 to supply up to max 3 spotlights; or utilize power supply cod 90837 to supply max 12 spotlights.
 - For LED white version of 3W acquire power supply dc 700mA cod 90835, to supply max 3 spotlights.

COD. 90832 - 350mA - 4W
 Power supply LED 1x1,4W
 (to be inserted in IP65 box)

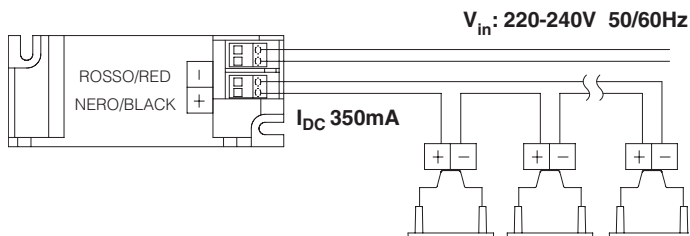
COD. 90837 - 350mA - 17W
 Power supply LED 1x1,4W
 (to be inserted in IP65 box)



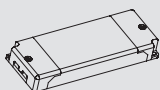
Acquire separately a power supply dc 350mA cod 90832 to be inserted in IP65 box to supply up to max 3 spotlights; or utilize power supply cod 90837 to supply max 12 spotlights.

Power supply LED

220-240V 4W 350mA **90832**
 220-240V 17W 350mA **90837**
 90832 Supplies up to max 3 spotlights.
 90837 Supplies up to max 12 spotlights. Connections in series.



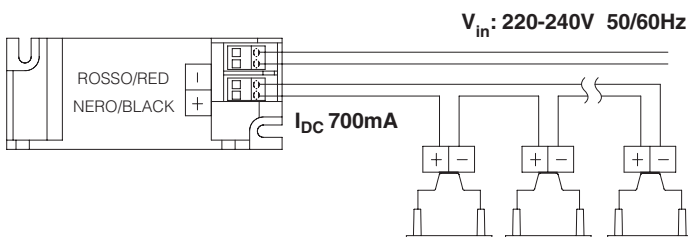
COD. 90835 - 700mA - 10W
 Power supply LED 1x3W
 (to be inserted in IP65 box)



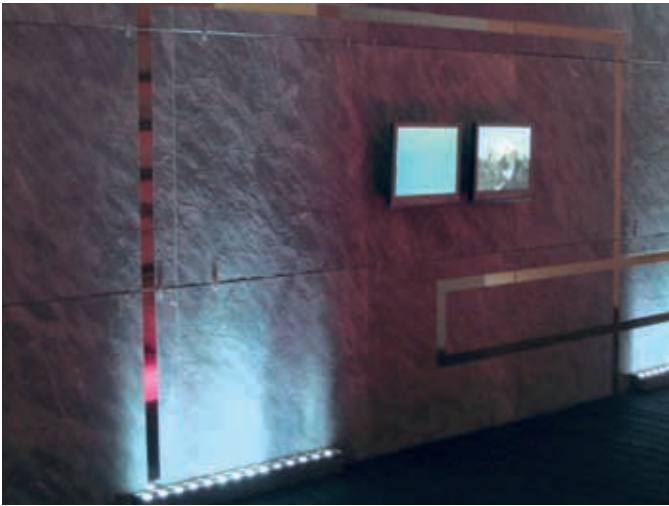
Acquire separately a power supply dc 700mA cod 90835 to be inserted in IP65 box to supply up to max 3 spotlights.

Power supply LED

220-240V 10W 700mA **90835**
 Supplies up to max 3 spotlights.
 Connections in series.



POWERLED CONNECTIONS



Connection IP65

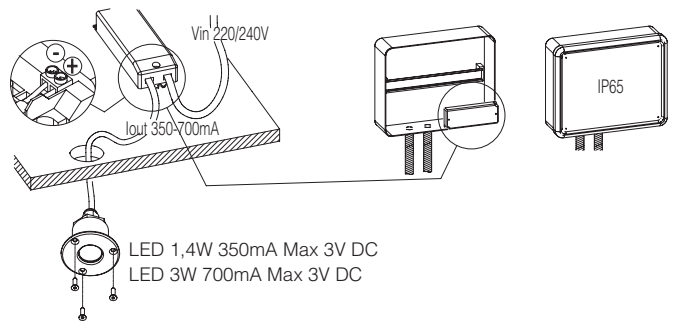
COD. 90832 - 350mA - 4W
Power supply LED 1x1,4W
(to be inserted in IP65 box)

COD. 90837 - 350mA - 17W
Power supply LED 1x1,4W
(to be inserted in IP65 box)

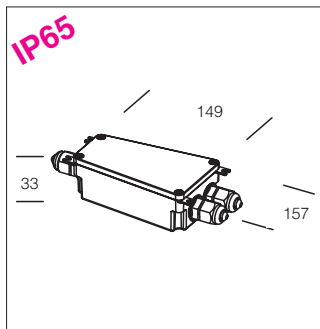
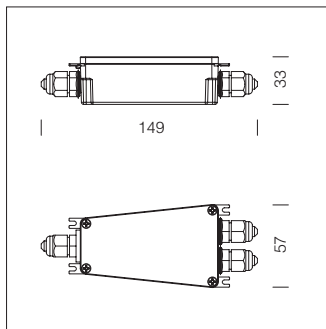
COD. 90835 - 700mA - 10W
Power supply LED 1x3W
(to be inserted in IP65 box)

CONNECTION IP65

To realize M60 connection with LED monochromatic 1,4W-350mA/3W-700mA it's necessary to insert LED power supply (cod. 90832-90837-90835) In a IP65 box as indicated in the figure.

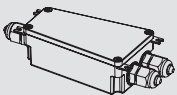


Gear box IP65 x M60
LED 1W-350mA **92031**
LED 3W-700mA **92033**
Complete with series with 3 cable gland IP65 for wire with section Max. 7mm and LED power supply. Allows electrical monochromatic M60.



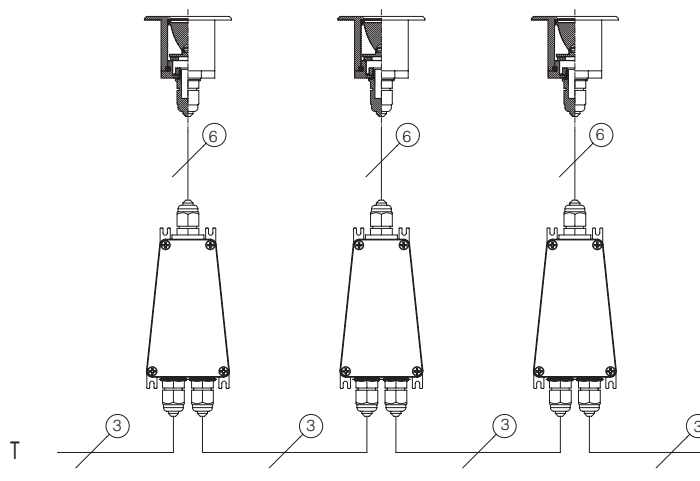
COD. 92031
Gear box IP65
LED 1x1,4W - 350mA

COD. 92033
Gear box IP65
LED 1x3W - 700mA

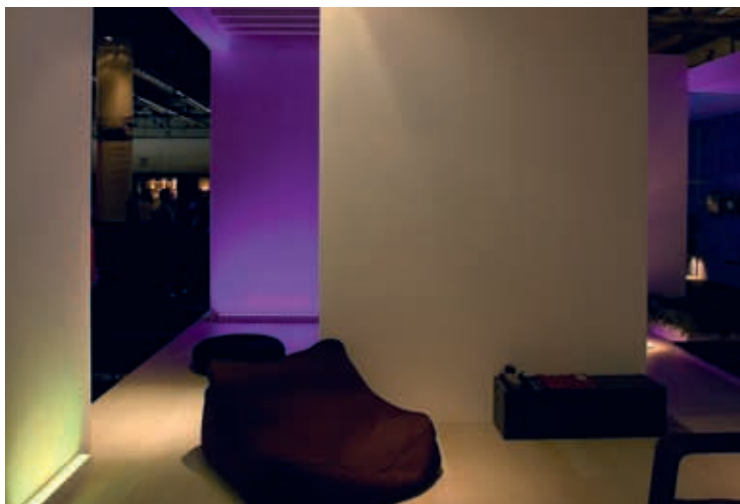


Using acc. 92031 it's possible to perform an electric connection IP65 in parallel to M60 1x1,4W -350mA with monochromatic LED, inserting POWERLED supply inside the derivating box.

Using acc. 92033 it's possible to perform an electric connection IP65 in parallel to M60 1x3W -700mA with monochromatic LED, inserting POWERLED supply inside the derivating box.



POWERLED CONNECTIONS



M60 Housing: Turned aluminium.

Electric gear: Separate 350/700mA dc ballast; RGB version can be used with a MASTER and SLAVE control module

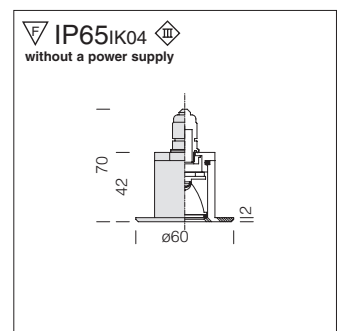
M60 Equipment: Standard version supplied complete with self-tapping screws for installation on wooden, plasterboard or sheet metal panels; 4m outer wire fitted.

Standards: Products comply with EN 60598-1-CEI 34.21 standards, with a level of protection complying with EN 60529 standards.

Lamps: On request LED in coloured versions (blue, red, yellow, green).



base	Watt	lamp	weight kg	colour	Code Fosnova
------	------	------	--------------	--------	-----------------



M60 LED RGB					S+L
3,2W	LED RGB	0,2	white		61516
3,2W	LED RGB	0,2	m. silver		61575
3,2W	LED RGB	0,2	chrome		61566

Use power supply code 90870, to power up to 5 RGB spotlights. To supply other 5 spotlights RGB in sync with MASTER, acquire SLAVE cod 90871.

In case of installation in a control board, the following are supplied separately:

- KIT1, code 90872, powers up to 5 spotlights in synchronised mode;
- KIT2, code 90873, powers up to 10 spotlights in synchronised mode.

For 98070/71 and KIT1-2 Remote control code 99020 is supplied separately.

Otherwise acquire PLUS MASTER/SLAVE System cod. 90875;

For PLUS System Remote control code 99020 is supplied separately.

Possibility of DMX System cod. 90876.

POWERLED RGB CONNECTIONS

**BASE SYSTEM
CODE 90870**

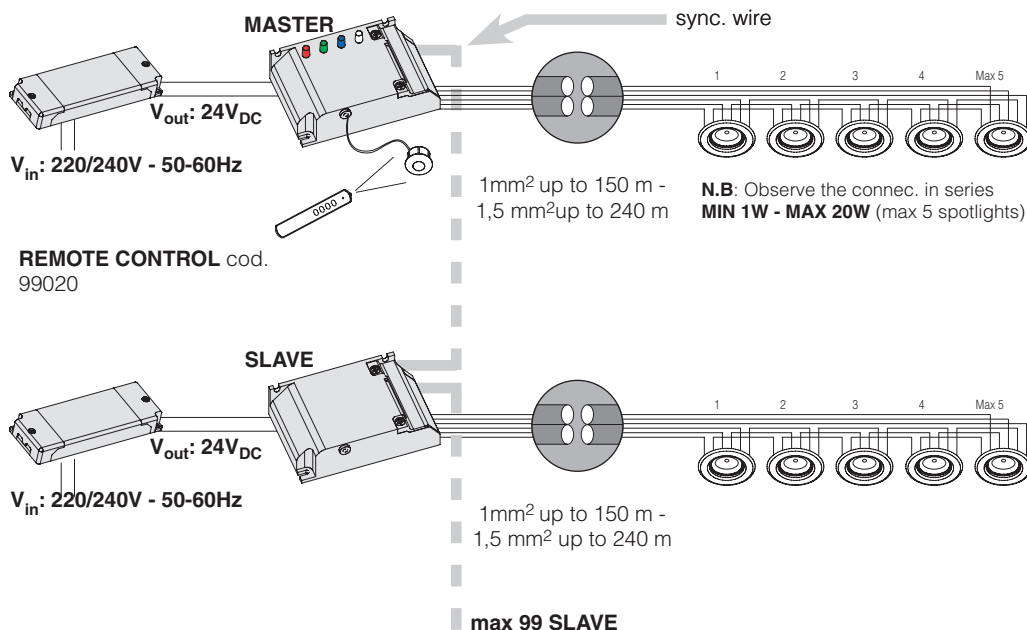
Power supply + Master + IRE Receiver

Three-channel professional colour control module for LED RGB. Dimmable option supplied separately for each channel through a special potentiometer (or push-button). IRE remote control (code 99020) sold separately.

CODE 90871

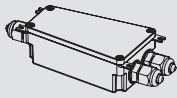
Power supply + Slave to be bought to use other 5 spotlights sinchr. with MASTER

A SLAVE and power supply should be purchased to use 5 more spotlights in sync with the MASTER, up to 5 spotlights (code 90871). Can be operated using 1 MASTER and 99 SLAVES.



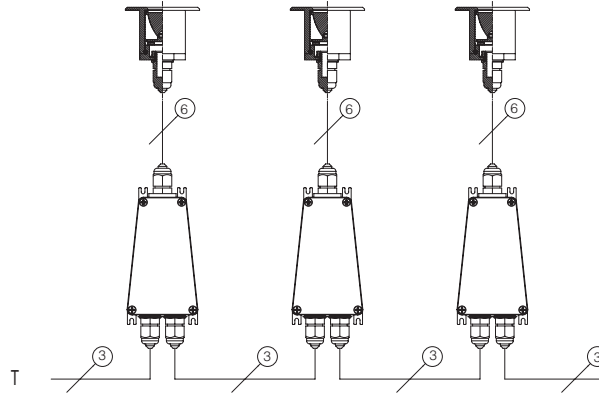
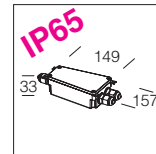
FOR THE FOLLOWING INFORMATIONS AND RGB CONNECTION SEE PAG. 268-269

COD. 92034
GEAR BOX IP65
LED 3,2W RGB



Using acc. 92034 it's possible to perform electric connection IP65 of M60 with LED RGB.

Gear box IP65 x M60
LED 3,2W RGB **92034**
 Complete with series with terminal block of 6 poles for connections IP65 for wire with section Max. 7mm Allows electrical connection in series of M60 RGB.



POWERLED RGB CONNECTIONS

RECESSED DOWN LIGHTS

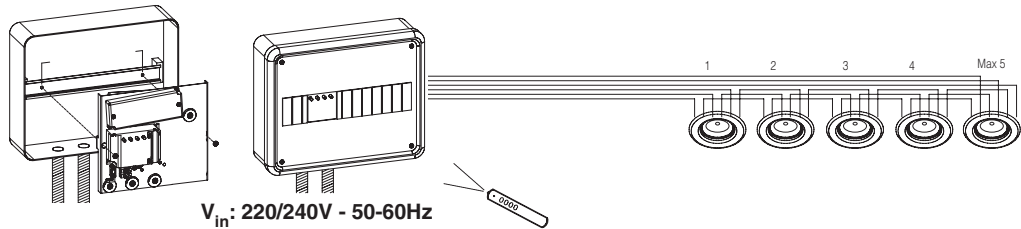
POWERLED RGB CONNECTIONS

POWERLED RGB CONNECTIONS

KIT1 COD. 90872

1 Master, 1 power supply, 1 receiver IRE and terminal block

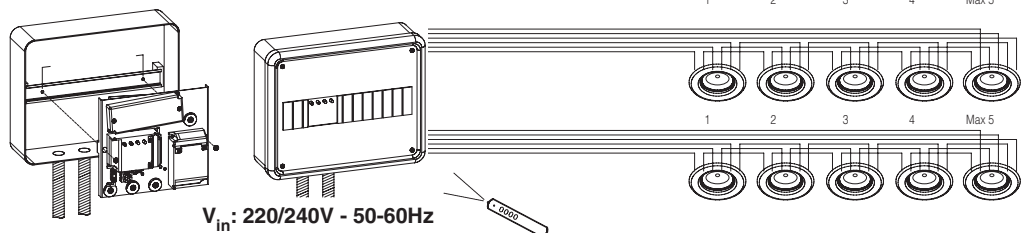
1 pre-wired plate to fit into an IP65 box that includes 1 Master, 1 ballast, 1 IRE receiver and one terminal block for network connection to power in sync 5 spotlights IRE remote control (code 99020) sold separately.



KIT2 COD. 90873

1 Master, 1 Slave 2 power supply, 1 receiver IRE and terminal block

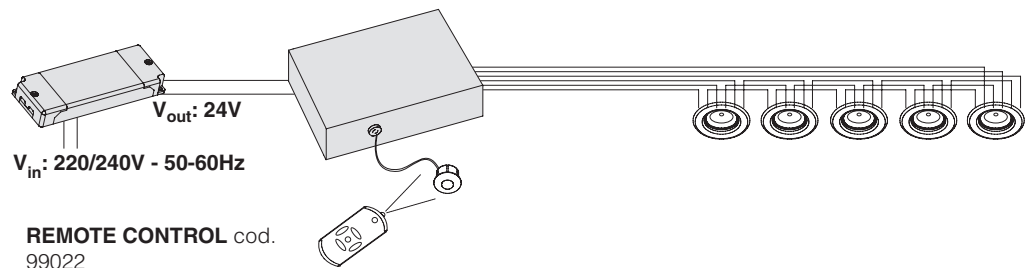
1 pre-wired plate to fit into an IP65 box that includes 1 Master, 1 Slave, 2 ballasts, 1 IRE receiver and one terminal block for network connection to power in sync 10 spotlights. IRE remote control (code 99020) sold separately.



PROFESSIONAL SYSTEM PLUS MASTER/SLAVE
COD. 90875

1 Master/Slave, 1 power supply, 1 receiver IRE

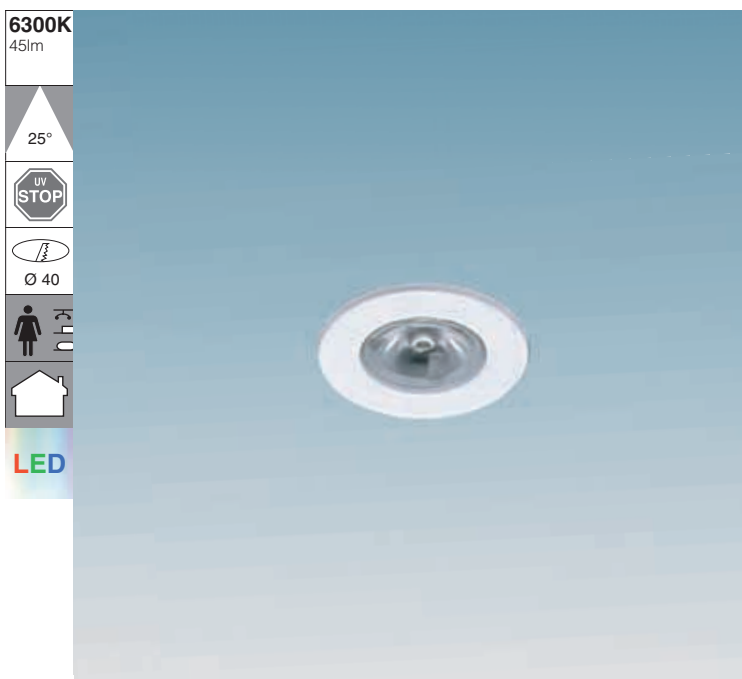
Should be used to supply up to max 5 RGB spotlight spotlights in sync as MASTER; in case when it is used as Slave up to max. 5 RGB spotlights more.



DMX IP65 SYSTEM
COD. 90876

Should be used to supply up to max 10 RGB spotlight spotlights in sync, using controller D.O.P or software management DMX.

FOR THE FURTHER INFORMATION AND RGB CONNECTION SEE PAG. 268-269



Housing M45: Die-cast zamak.

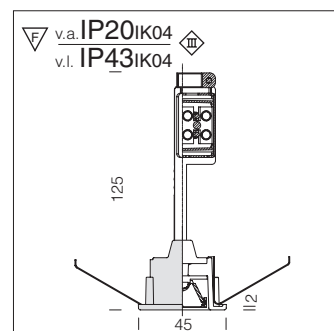
Electric gear: Separate dc 350/700mA ballast; for RGB version possibility to utilize with a control module MASTER and SLAVE.

Equipment M45: Standard version supplied with band springs for suspended ceilings more than 5 mm thick; for suspended ceilings from 1 to 5 mm thick use flush-finish springs.

Standards: Products comply with EN 60598-1-CEI 34.21 standards, with a level of protection complying with EN 60529 standards.

Lamps: The version is completed with white LED lamps of 1,4/3W, LED RGB, Ministar 20W lamp. On request LED in coloured versions (blue, red, yellow, green)

base	Watt	lamp	weight kg	colour	Code Fosnova
------	------	------	--------------	--------	-----------------

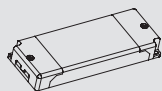


M45 LED white					S+L
1x1,4W	LED white	0,2	white		62613
1x1,4W	LED white	0,2	m. silver		62672
1x1,4W	LED white	0,2	chrome		62664
1x3W	LED white	0,2	white		62612
1x3W	LED white	0,2	m. silver		62673
1x3W	LED white	0,2	chrome		62665

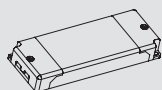
Possibility of choice of beam lens angle (10°-25°-40°).
 Complete with LED white. On request: the version with LED in warm-white colour.
 - Electronic power supply is to be bought separately dc 350mA cod 90832 to supply up to max 3 spotlights; or utilize power supply cod 90837 to supply max 12 spotlights.
 - For LED white version of 3W acquire power supply dc 700mA cod 90835, to supply max 3 spotlights.

COD. 90832 - 350mA - 4W
 Power supply LED 1x1,4W
 (to be inserted in IP65 box)

COD. 90837 - 350mA - 17W
 Power supply LED 1x1,4W
 (to be inserted in IP65 box)



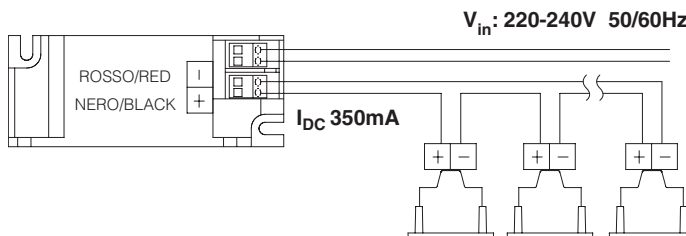
COD. 90835 - 700mA - 10W
 Power supply LED 1x3W
 (to be inserted in IP65 box)



Acquire separately a power supply dc 350mA cod 90832 to be inserted in IP65 box to supply up to max 3 spotlights; or utilize power supply cod 90837 to supply max 12 spotlights.

LED Power supply

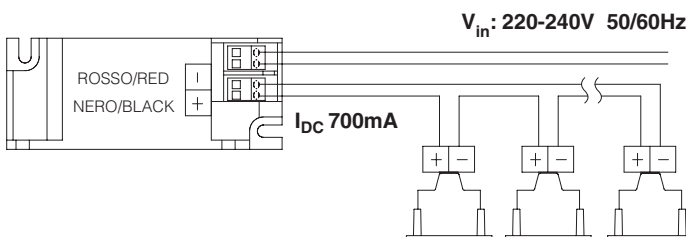
220-240V 4W 350mA **90832**
 220-240V 17W 350mA **90837**
 90832 Supplies up to max 3 spotlights.
 90837 Supplies up to max 12 spotlights. Connections in series.



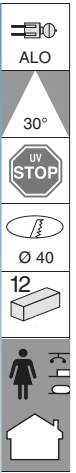
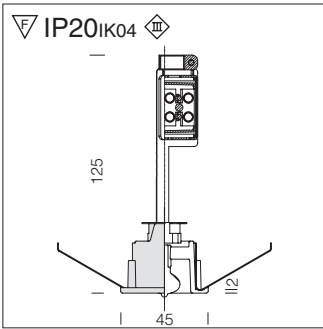
Acquire separately a power supply dc 700mA cod 90835 to be inserted in IP65 box to supply up to max 3 spotlights.

LED Power supply

220-240V 10W 700mA **90835**
 Supplies up to max 3 spotlights. Connections in series.



POWERLED CONNECTIONS

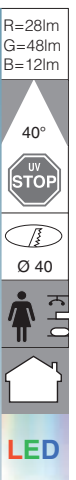
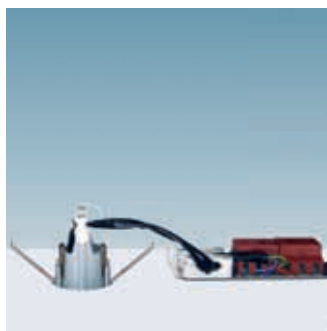
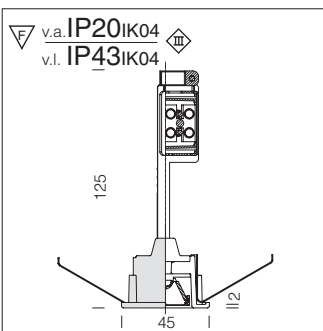


M45 -halogen Ministar 12V

S+L

GY6,35	20	ALO	0,2	white	62511
GY6,35	20	ALO	0,2	m. silver	62570
GY6,35	20	ALO	0,2	chrome	62562

Beam angle: 20°. Utilize electronic ballast 12V cod 90816 to power up to max 3 spotlights.



M45 LED RGB

S+L

3,2W	LED RGB	0,2	white	62616
3,2W	LED RGB	0,2	m. silver	62675
3,2W	LED RGB	0,2	chrome	62667

Use power supply code 90870, to power up to 5 RGB spotlights. To supply other 5 spotlights RGB in sync with MASTER, acquire SLAVE cod 90871.

In case of installation in a control board, the following are supplied separately:

- KIT1, code 90872, powers up to 5 spotlights in synchronised mode;
- KIT2, code 90873, powers up to 10 spotlights in synchronised mode.

For 90870/71 and KIT1-2 Remote control code 99020 is supplied separately.

Otherwise acquire PLUS MASTER/SLAVE System cod. 90875;

For PLUS System Remote control code 99020 is supplied separately.

Possibility of DMX System cod. 90876.

CODE 90870

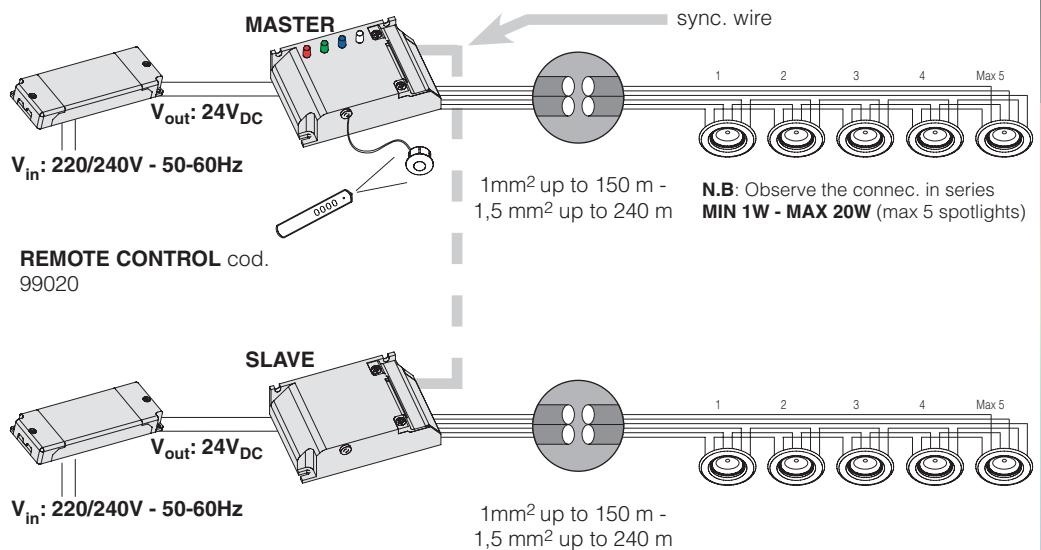
Power supply + Master + IRE Receiver

Three-channel professional colour control module for LED RGB. Dimmable option supplied separately for each channel through a special potentiometer (or push-button). IRE remote control (code 99020) sold separately.

CODE 90871

Power supply + Slave (to be inserted in IP65 box)

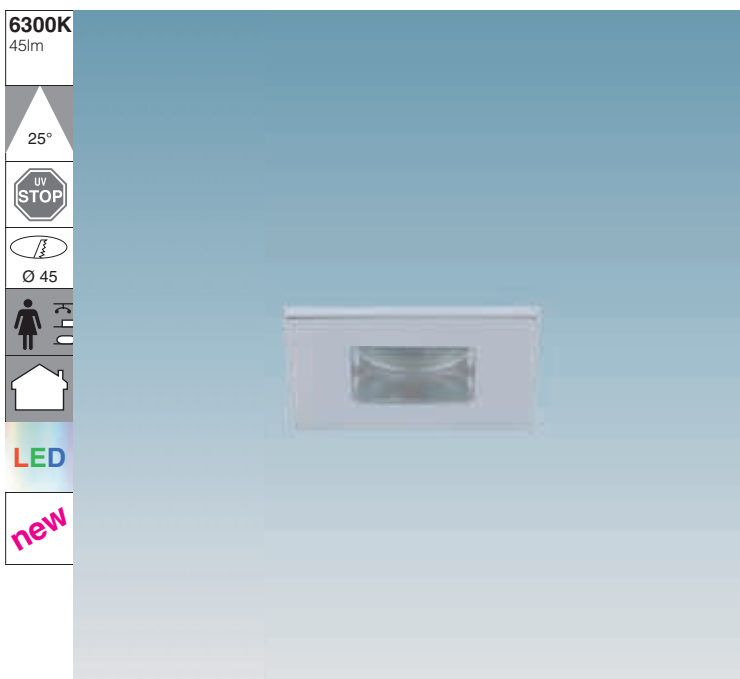
A SLAVE and power supply should be purchased to use 5 more spotlights in sync with the MASTER, up to 5 spotlights (code 90871). Can be operated using 1 MASTER and 99 SLAVES.



FOR THE FURTHER INFORMATION AND RGB CONNECTION SEE PAG. 268-269

POWERED RGB CONNECTIONS

RECESSED DOWN LIGHTS



Housing Q45: Die-cast zamak.

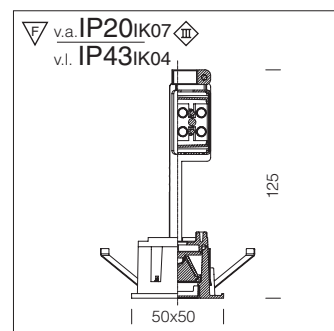
Diffuser: complete with polycarbonate transparent anti-glare and wide-beam diffuser.

Electric gear: Separate 350/700mA dc ballast; RGB version can be used with a MASTER and SLAVE control module

Equipment Q45: Standard version supplied with band springs for suspended ceilings more than 5 mm thick; for suspended ceilings from 1 to 5 mm thick use flush-finish springs.

Standards: Products comply with EN 60598-1-CEI 34.21 standards, with a level of protection complying with EN 60529 standards. possibility of IP44 or IP54 version.

base	Watt	lamp	colour	Code Fosnova
------	------	------	--------	--------------

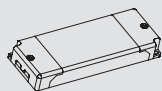


Q45 LED white				S+L
1x1,4W	LED white	0,2	white	64510
1x1,4W	LED white	0,2	m. silver	64571
1x1,4W	LED white	0,2	chrome	64562
1x3W	LED white	0,2	white	64511
1x3W	LED white	0,2	m. silver	64572
1x3W	LED white	0,2	chrome	64563

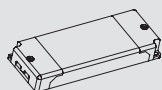
Possibility of choice of beam lens angle (10°-25°-40°).
 Complete with LED white. On request: the version with LED in warm-white colour.
 - Electronic power supply is to be bought separately dc 350mA cod 90832 to supply up to max 3 spotlights; or utilize power supply cod 90837 to supply max 12 spotlights.
 - For LED white version of 3W acquire power supply dc 700mA cod 90835, to supply max 3 spotlights.

COD. 90832 - 350mA - 4W
 Power supply LED 1x1,4W
 (to be inserted in IP65 box)

COD. 90837 - 350mA - 17W
 Power supply LED 1x1,4W
 (to be inserted in IP65 box)



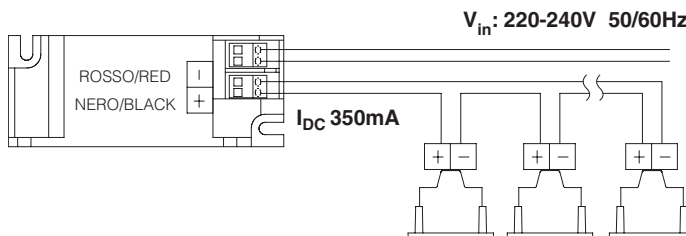
COD. 90835 - 700mA - 10W
 Power supply LED 1x3W
 (to be inserted in IP65 box)



Acquire separately a power supply dc 350mA cod 90832 to be inserted in IP65 box to supply up to max 3 spotlights; or utilize power supply cod 90837 to supply max 12 spotlights.

LED Power supply

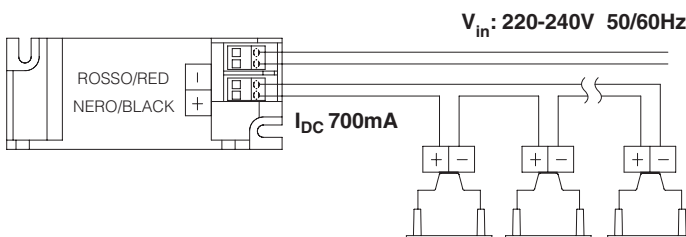
220-240V 4W 350mA **90832**
 220-240V 17W 350mA **90837**
 90832 Supplies up to max 3 spotlights.
 90837 Supplies up to max 12 spotlights. Connections in series.



Acquire separately a power supply dc 700mA cod 90835 to be inserted in IP65 box to supply up to max 3 spotlights.

LED Power supply

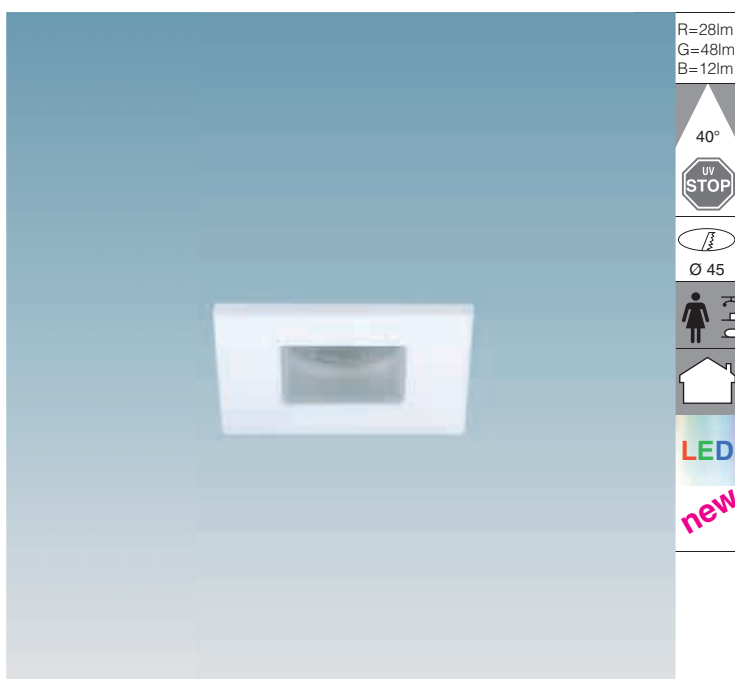
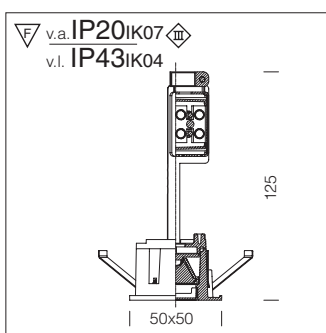
220-240V 10W 700mA **90835**
 Supplies up to max 3 spotlights. Connections in series.



POWERLED CONNECTIONS



base	Watt	lamp	colour	Code
				Fosnova



R=28lm
G=48lm
B=12lm

40°

UV STOP

Ø 45

new

Q45 LED RGB				S+L
3,2W	LED RGB	0,2	white	64512
3,2W	LED RGB	0,2	m. silver	64573
3,2W	LED RGB	0,2	chrome	64564

Use power supply code 90870, to power up to 5 RGB spotlights.
To supply other 5 spotlights RGB in sync with MASTER, acquire SLAVE cod 90871.

In case of installation in a control board, the following are supplied separately:

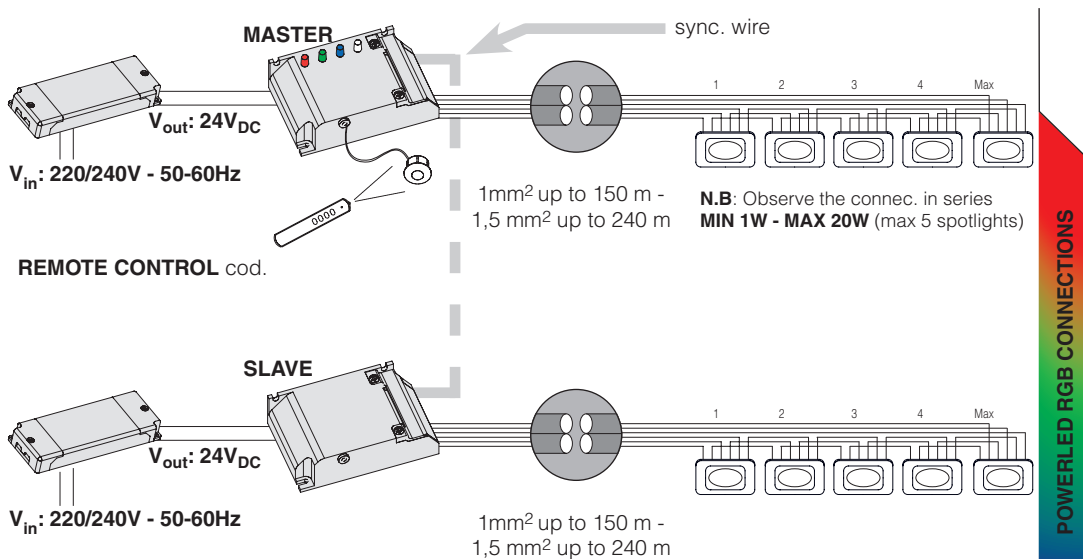
- KIT1, code 90872, powers up to 5 spotlights in synchronised mode;
 - KIT2, code 90873, powers up to 10 spotlights in synchronised mode.
- For 90870/71 and KIT1-2 Remote control code 99020 is supplied separately.
Otherwise acquire PLUS MASTER/SLAVE System cod. 90875;
For PLUS System Remote control code 99020 is supplied separately.
Possibility of DMX System cod. 90876.

CODE 90870
Power supply + Master
+ IRE Receiver

Three-channel professional colour control module for LED RGB. Dimmable option supplied separately for each channel through a special potentiometer (or push-button). IRE remote control (code 99020) sold separately.

CODE 90871
Power supply + Slave
(to be inserted in IP65 box)

A SLAVE and power supply should be purchased to use 5 more spotlights in sync with the MASTER, up to 5 spotlights (code 90871). Can be operated using 1 MASTER and 99 SLAVES.



POWERLED RGB CONNECTIONS