

Supermarket - Enna



Adequate lighting provides proper perception of the environment and a comfortable feeling with our surroundings. This is the concept underlying the creation of the Milano recessed floodlight, ideal for quick, low-cost installation in any exhibition setting and to fulfil interior decorators' artificial lighting requirements.

Housing: Made of steel sheet.

Reflector: Narrow- or wide-beam; oxidised and polished aluminium.

Diffuser: Tempered glass protective shield.

Lampholder: Ceramic with silver-plated contacts, or polycarbonate with phosphorous bronze contacts.

Electric gear: 230V/50Hz power supply, with heat protection for discharge lamps. Flexible wire terminated with admiralty brass clamps, silicone insulation with fibreglass braid; cross section: 1 mm² 2P+T terminal block (with plug-socket connector).

Equipment: Supplied with adjustable steel bracket. The glass holding ring opens on hinges for easier maintenance.

Regulations: Manufactured in accordance with EN 60598-1-CEI 34.21 standards. Degree of protection in accordance with EN60529 standards.

Lamps: Supplied with discharge, compact fluorescent energy-saving lamps.



base	Watt	lamp	weight kg	colour	Code Fosnova
------	------	------	--------------	--------	-----------------

FLC-T/E

3000K

Ra=1b

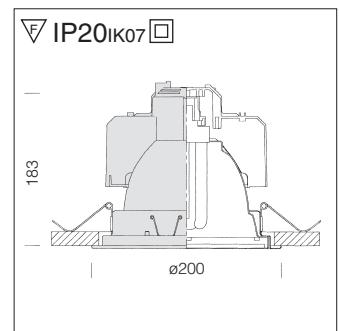
1800lm

Consump.

CELL=A2

L

Ø 185



Milano

					CELL
GX24q-3	1x26	FLC-T/E	0,80	white	81210-08
GX24q-3	1x26	FLC-T/E	0,80	m. silver	81272-08

					CELL-E
GX24q-3	1x26	FLC-T/E	0,80	white	81210-09
GX24q-3	1x26	FLC-T/E	0,80	m. silver	81272-09

Complete with matt glass. Version IP44 with additional gasket is available on request.

CDM-R

3000K

Ra=1b

15000cd

AR111

3000K

3000h

5300cd

24°

PAR30

3000K

2000h

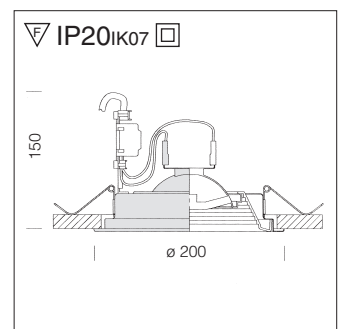
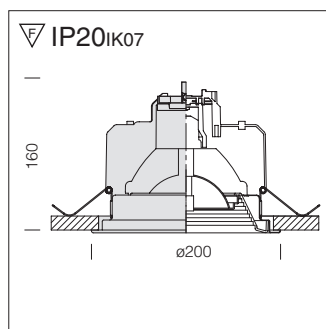
1750cd

M

Ø 185

12

230V



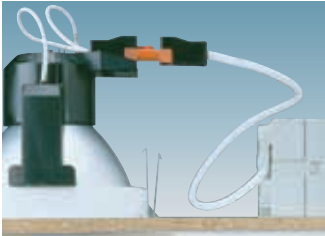
Milano

					CELL
Gx8,5	70	CDM-R111	0,80	white	81317

					CTL
G53	75	AR111	0,80	white	81312

					S+L
E27	75	PAR30	0,80	white	81213

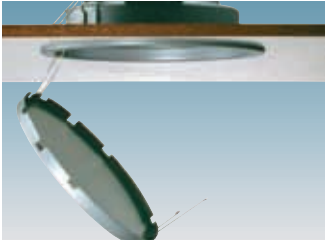




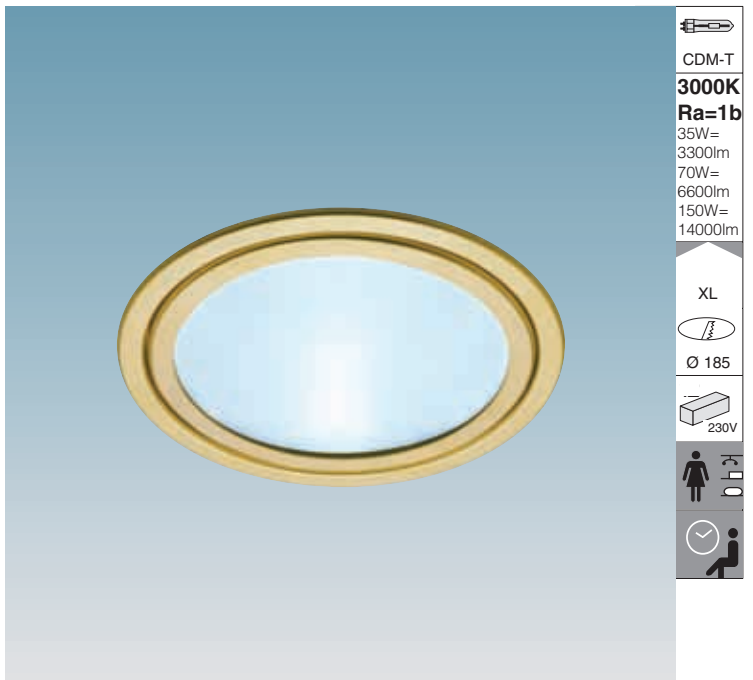
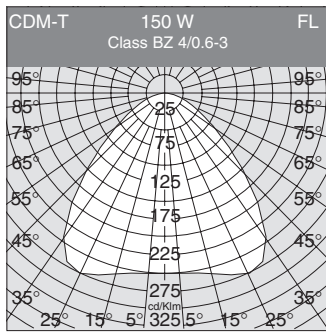
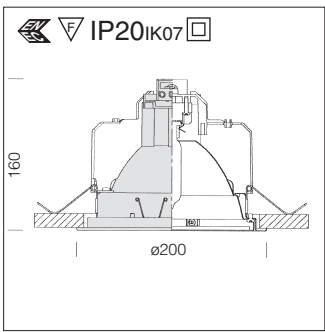
Spotlight to be purchased with box with plug-socket connection system for easier installation and maintenance

Frame safety springs for easier maintenance.

Version on request with external **IP44** rated housing



base	Watt	lamp	weight kg	colour	Code ifosnova
------	------	------	-----------	--------	---------------

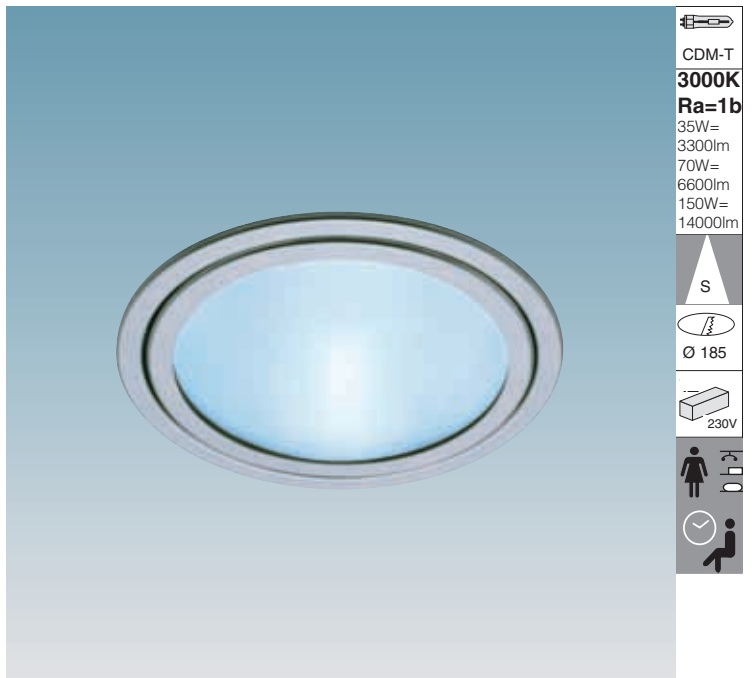
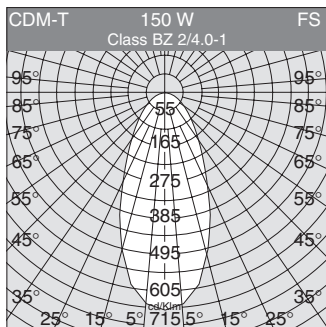
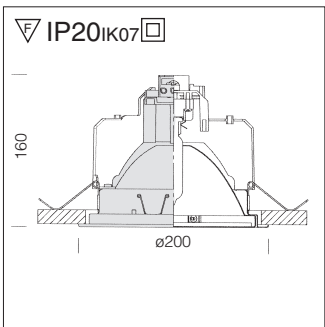


CDM-T	3000K	Ra=1b	35W=3300lm	70W=6600lm	150W=14000lm
XL	Ø 185	230V	Person icon	Chair icon	

Milano "T" wide beam

G12	Watt	lamp	weight kg	colour	S+L
G12	35	CDM-T	0,80	white	80613
G12	35	CDM-T	0,80	m. silver	80675
G12	35	CDM-T	0,80	brass	80694
G12	70	CDM-T	0,80	white	80612
G12	70	CDM-T	0,80	m. silver	80674
G12	70	CDM-T	0,80	brass	80696
G12	150	CDM-T	0,80	white	80711
G12	150	CDM-T	0,80	m. silver	80773
G12	150	CDM-T	0,80	brass	80795

To be used with box + control gear 92060/65 or 92001/11/21.

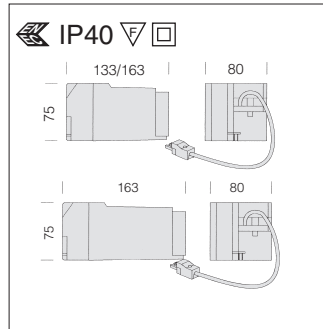


CDM-T	3000K	Ra=1b	35W=3300lm	70W=6600lm	150W=14000lm
S	Ø 185	230V	Person icon	Chair icon	

Milano "T" narrow beam

G12	Watt	lamp	weight kg	colour	S+L
G12	35	CDM-T	0,80	white	80517
G12	35	CDM-T	0,80	m. silver	80566
G12	70	CDM-T	0,80	white	80816
G12	70	CDM-T	0,80	m. silver	80878
G12	150	CDM-T	0,80	white	80912
G12	150	CDM-T	0,80	m. silver	80974

To be used with box + control gear 92060/65 or 92001/11/21.



Box				CNR
35W	JM/CDM	1.20	white	92001
70W	JM/CDM	1.70	white	92011
150W	JM/CDM	2.50	white	92021

V0 techno-polymer box. T≤95°C under normal operating conditions. T≤105 in malfunction conditions. Complete with starter, ballast, capacitor, 3-pole terminal block and thermal protection.

base	Watt	lamp	weight kg	colour	Code Fosnova
------	------	------	--------------	--------	-----------------

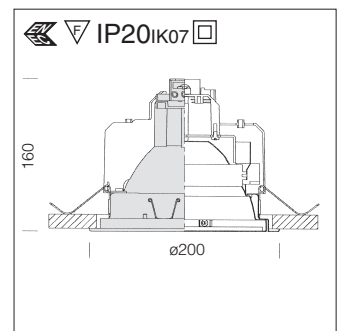
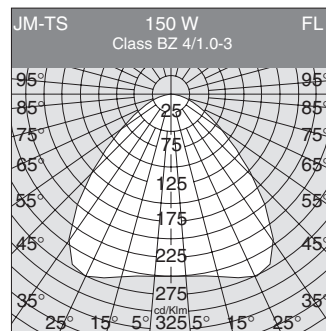


JM-TS
3000K
Ra=2a
70W=5100lm
150W=11700lm

XL

Ø 185

230V



Milano "TS" wide beam					S+L
RX7s	70	JM-TS	0,80	white	81011
RX7s	70	JM-TS	0,80	m. silver	81073
RX7s	70	JM-TS	0,80	brass	81095
RX7s	150	JM-TS	0,80	white	81115
RX7s	150	JM-TS	0,80	m. silver	81177
RX7s	150	JM-TS	0,80	brass	81199

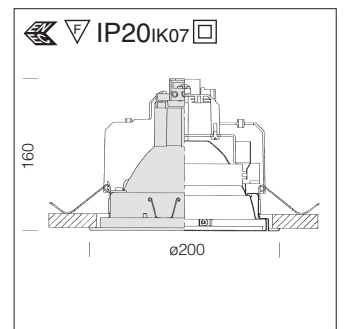
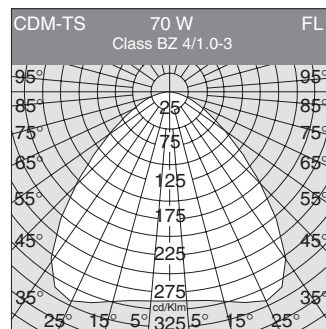
To be used with box + control gear code 92060/65 or 92011/21.

CDM-TS
3000K
Ra=1b
70W=6500lm
150W=13250lm

XL

Ø 185

230V

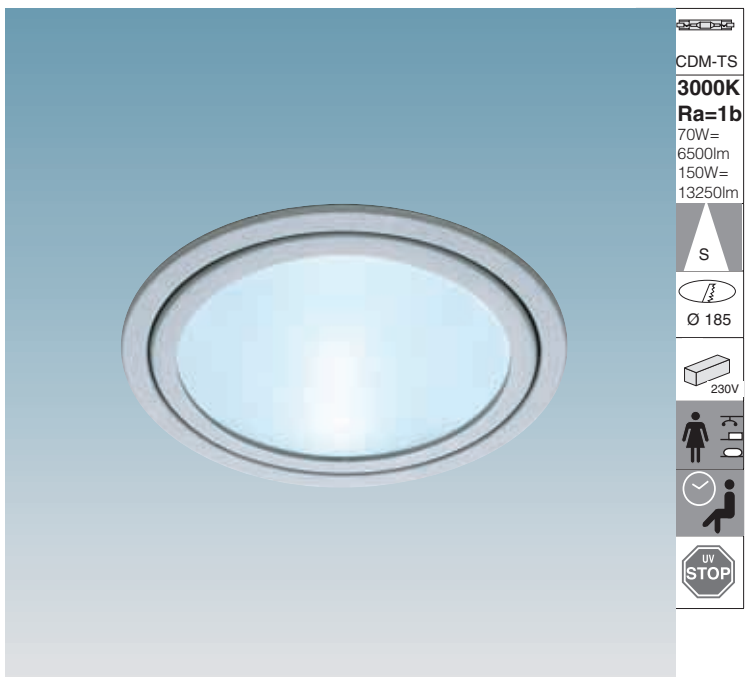
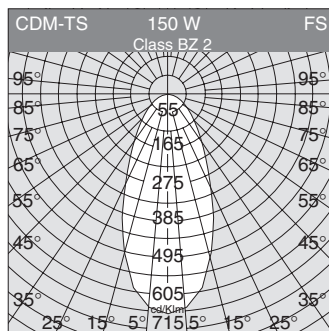
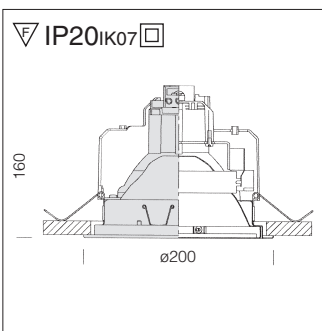


Milano "TS" wide beam with ceramic lamps					S+L
RX7s	70	CDM-TS	0,80	white	81011-85
RX7s	70	CDM-TS	0,80	m. silver	81073-85
RX7s	70	CDM-TS	0,80	brass	81095-85
RX7s	150	CDM-TS	0,80	white	81115-85
RX7s	150	CDM-TS	0,80	m. silver	81177-85
RX7s	150	CDM-TS	0,80	brass	81199-85

To be used with box + control gear code 92060/65 or 92011/21.



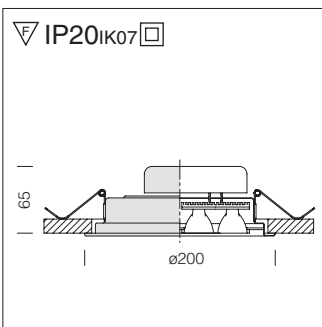
base Watt lamp weight colour Code
kg ifosnova



CDM-TS
3000K
Ra=1b
70W= 6500lm
150W= 13250lm
S
Ø 185
230V
UV STOP

Milano "TS" narrow beam with ceramic lamps					S+L
RX7s	70	CDM-TS	0,80	white	82012
RX7s	70	CDM-TS	0,80	m. silver	82074
RX7s	70	CDM-TS	0,80	brass	82096
RX7s	150	CDM-TS	0,80	white	82116
RX7s	150	CDM-TS	0,80	m. silver	82178
RX7s	150	CDM-TS	0,80	brass	82199

To be used with box + control gear code 92060/65 or 92011/21.



6000K
whi.=135lm
bl.=48lm
red.=81lm
yel.=75lm
gr.=159lm
Ø 185
220-240V
LED

Milano POWERLED					CELL
4x4,2W	LED white	0,80	white		81411
Milano coloured POWERLED					CELL
4x4,2W	LED blue	0,80	white		81411-71
4x3,6W	LED red	0,80	white		81411-72
4x3,6W	LED yellow	0,80	white		81411-73
4x4,2W	LED green	0,80	white		81411-74

Complete with power supply and 4 module LED tripole of 4,2W each, beam opening: 30°.

New light conception utilized for energy saving; ideal for passageways which always need to be illuminated and shop windows.