





FLC-D/E
4000K
Ra=1b
13W=
900lm
18W=
1200lm



FLC-T/E
4000K
Ra=1b
26W=
1800lm
32W=
2400lm

Consump.
CELL=A2








FLC-D/E
4000K
Ra=1b
1200lm



FLC-T/E
4000K
Ra=1b
1800lm

Consump.
CELL=A2







Metallized aluminium reflector Energy3-4: Polycarbonate, metallized with high grade aluminium powders through a C.V.D. hard-vacuum process for greater light control and efficiency. Prismatic faceting with flux recuperating system. Ideal for installation in open-plan offices and shopping centres. The reflector's special design and the lamp's vertical position enable Energy 3 to operate as a low luminance dark-light fixture.

Housing: In polycarbonate with steel frame.

Reflector: High-performance metallized polycarbonate.

Lampholder: Polycarbonate with phosphorous bronze contacts.

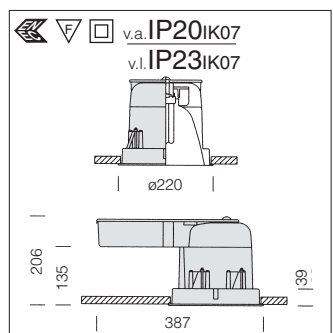
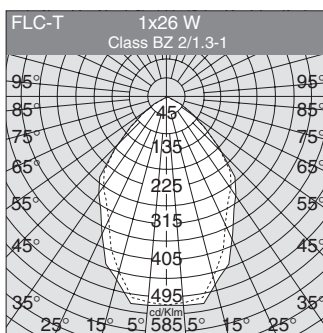
Electric gear: 230V/50Hz power supply: Hard wire, cross-section 0.50 sqmm, and high-temperature resistant (up to 90°C) PVC-HT sheath, in accordance with CEI 20-20 standards. 2P terminal block (maximum allowed lead cross-section 2 sqmm.)

Equipment: With a spring to ensure perfect adherence to the ceiling; hinge opening lamp compartment.

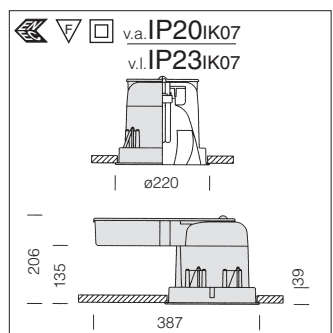
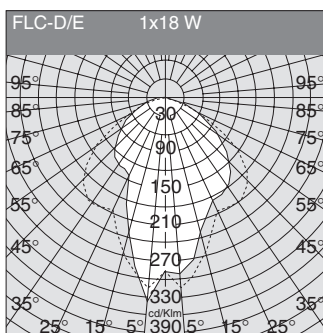
Regulations: Manufactured in accordance with EN605981-CEI34-21 standards. Degree of protection in accordance with EN60529 standards.

Lamp Lex: Complete with energy saving lamp.

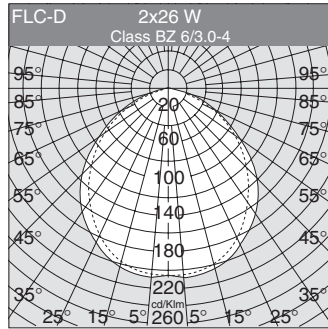
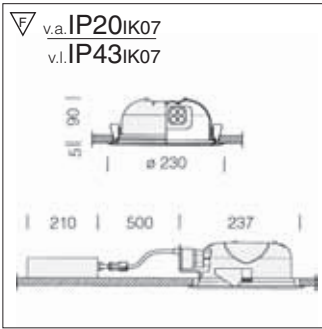
base	Watt	lamp	weight	colour	Code Fosnova
------	------	------	--------	--------	-----------------



Energy 3					CN
E27	Max23	FLC-EL	1,30	white	191213
					CELL
GX24q-3	1x32	FLC-T/E	1,70	white	191211
G24q-1	1x13	FLC-D/E	1,80	white	191214
G24q-2	1x18	FLC-D/E	1,80	white	191215
GX24q-3	1x26	FLC-T/E	2,00	white	191216
					CELL-E
G24q-2	1x18	FLC-D/E	2,00	white	191215-07



Energy 4 - wallwasher					CELL
G24q-2	1x18	FLC-D/E	1,70	white	191318-08
GX24q-3	1x26	FLC-T/E	1,70	white	191319-08

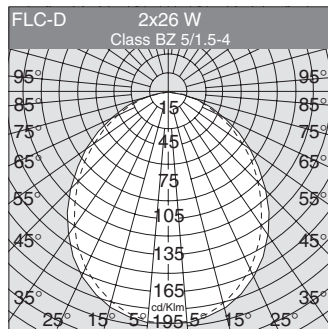
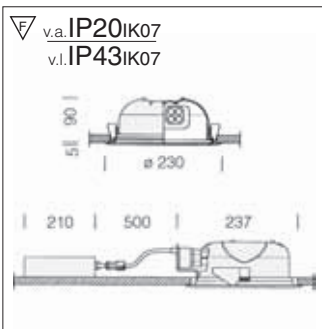


Lex with printed glass					CNL
G24d-3	2x26	FLC-D	2,00	white	173015
G24d-3	2x26	FLC-D	2,00	m. silver	173075
					CNRL
G24d-3	2x26	FLC-D	2,00	white	173015-89
G24d-3	2x26	FLC-D	2,00	m. silver	173075-89
					CELL-E
G24q-3	2x26	FLC-D/E	2,00	white	173015-09
G24q-3	2x26	FLC-D/E	2,00	m. silver	173075-09

Complete with printed glass.



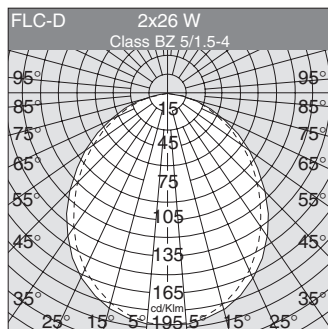
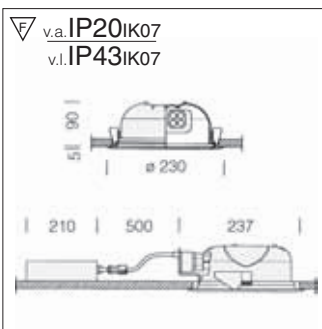
FLC-D
 FLC-D/E
4000K
Ra=1b
 1800lm
 Consump. CNL=B2
 CNRL=B2
 CELL=A2
 ø200



Lex					CNL
G24d-3	2x26	FLC-D	2,00	white	173011
G24d-2	2x18	FLC-D	2,00	white	173010
					CNRL
G24d-3	2x26	FLC-D	2,00	white	173011-89
G24d-2	2x18	FLC-D	2,00	white	173010-89
					CELL
G24q-3	2x26	FLC-D/E	2,00	white	173011-08
G24q-2	2x18	FLC-D/E	2,00	white	173010-08
					CELL-E
G24q-3	2x26	FLC-D/E	2,00	white	173011-09
G24q-2	2x18	FLC-D/E	2,00	white	173010-09



FLC-D
 FLC-D/E
4000K
Ra=1b
 18W= 1200lm
 26W= 1800lm
 Consump. CNL=B2
 CNRL=B2
 CELL=A2
 ø200



Lex					CNL
G24d-3	2x26	FLC-D	2,00	m. silver	173071
G24d-2	2x18	FLC-D	2,00	m. silver	173070
					CNRL
G24d-3	2x26	FLC-D	2,00	m. silver	173071-89
G24d-2	2x18	FLC-D	2,00	m. silver	173070-89
					CELL
G24q-3	2x26	FLC-D/E	2,00	m. silver	173071-08
G24q-2	2x18	FLC-D/E	2,00	m. silver	173070-08
					CELL-E
G24q-3	2x26	FLC-D/E	2,00	m. silver	173071-09
G24q-2	2x18	FLC-D/E	2,00	m. silver	173070-09



FLC-D
 FLC-D/E
4000K
Ra=1b
 18W= 1200lm
 26W= 1800lm
 Consump. CNL=B2
 CNRL=B2
 CELL=A2
 ø200

RECESSED DOWN LIGHTS