



Housing: Vandal-resistant, self-extinguishing polycarbonate, metallized with 100% aluminium powders through a C.V.D. hard-vacuum process; equipped with a flux recuperating closing port that also keeps out dust. With metallised outer rim.

Glass: silk-screen finishing, with a concentric circle pattern to control glare and improve light transmission. Ideal for installation in shop and commercial centre.



base	Watt	lamp	weight kg	colour	Code Fosnova
------	------	------	--------------	--------	-----------------

FLC-D/E

3000K

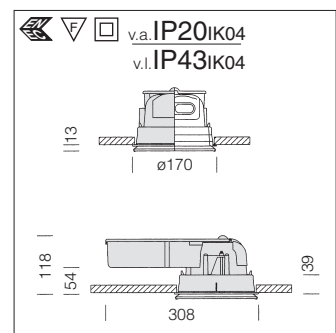
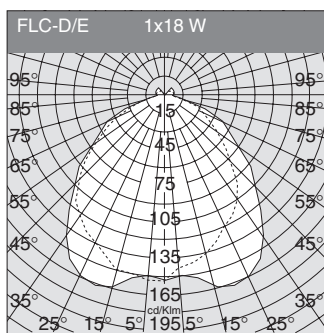
Ra=1b

13W= 900lm
18W= 1200lm

Consump.
CELL=A2

L

Ø 158



Energy 9 with glass					CELL
G24q-2	1x18	FLC-D/E	1,20	aluminium	190818-08
G24q-1	2x13	FLC-D/E	1,40	aluminium	190813-08
					CELL-E
G24q-1	2x13	FLC-D/E	3,40	aluminium	190813-09
					CELL-D
G24q-2	1x18	FLC-D/E	1,50	aluminium	190818-12

Version with printed glass.

FLC-D/E

3000K

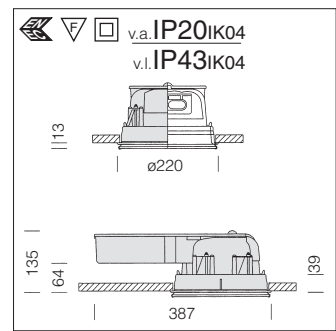
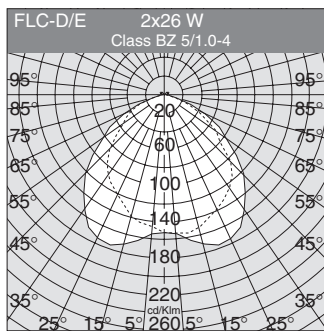
Ra=1b

18W= 1200lm
26W= 1800lm

Consump.
CELL=A2

L

Ø 208



Energy 10 with glass					CELL
G24q-3	2x26	FLC-D/E	2,70	aluminium	190916-08
G24q-2	2x18	FLC-D/E	2,70	aluminium	190919-08
					CELL-E
G24q-3	2x26	FLC-D/E	3,40	aluminium	190916-09
					CELL-D
G24q-3	2x26	FLC-D/E	3,70	aluminium	190916-12

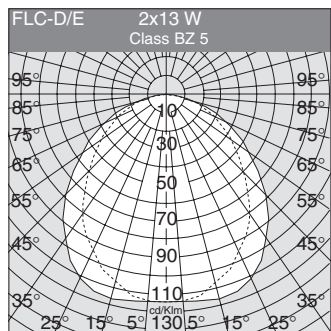
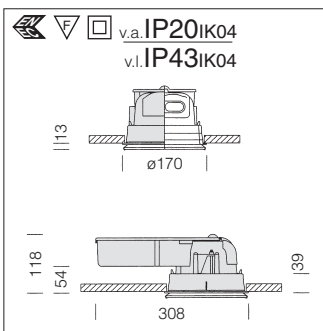
Diffuser in printed glass. Other colours on request.

Housing: Vandal-resistant, self-extinguishing polycarbonate, metallized with 100% aluminium powders through a C.V.D. hard-vacuum process; equipped with a flux recuperating closing port that also keeps out dust. With metallised outer rim.

Glass: anti-glare opal finish. Ideal for installation in passageways and halls.



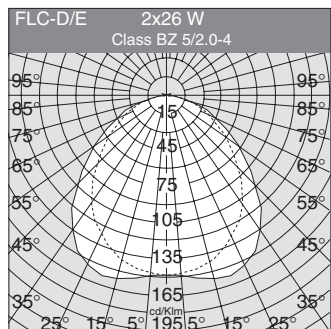
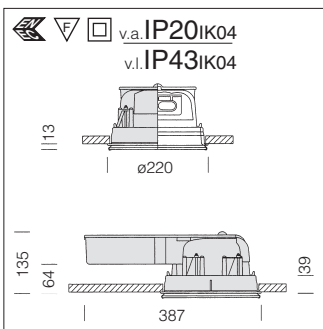
base	Watt	lamp	weight kg	colour	Code Fosnova
------	------	------	--------------	--------	-----------------



FLC-D/E
3000K
Ra=1b
13W=900lm
18W=1200lm
Consump. CELL=A2
L
Ø 158
Icons for accessibility and safety

Energy 9 SAB with glass					CELL
G24q-1	1x13	FLC-D/E	1,40	aluminium	190816-08
G24q-1	2x13	FLC-D/E	1,40	aluminium	190814-08
CELL-E					
G24q-1	2x13	FLC-D/E	3,40	aluminium	190814-09
CELL-D					
G24q-1	1x13	FLC-D/E	3,40	aluminium	190814-12

Version with opal glass.



FLC-D/E
3000K
Ra=1b
1800lm
Consump. CELL=A2
L
Ø 208
Icons for accessibility and safety

Energy 10 SAB with glass					CELL
G24q-3	2x26	FLC-D/E	2,70	aluminium	190915-08
G24q-3	2x26	FLC-D/E	3,20	aluminium	190915-09
CELL-E					
G24q-3	2x26	FLC-D/E	3,50	aluminium	190915-12

Version with opal glass.

RECESSED
DOWN LIGHTS

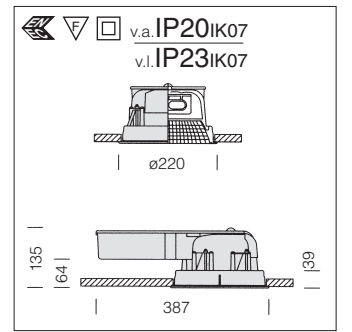
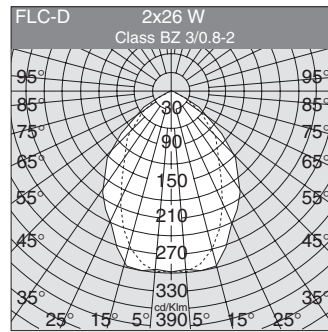


Metallized aluminium reflector: Polycarbonate, metallized with high grade aluminium powders through a C.V.D. hard-vacuum process for greater light control and efficiency. Prismatic faceting with flux recuperating system. Ideal for installation in open-plan offices and shopping centres. The reflector's special design with spokes ensures a high degree of glare prevention and brightness once lit, making the fixture suitable for any work environment. The use of the dark-light ring enables Energy 8 to operate as a low luminance dark-light fixture.

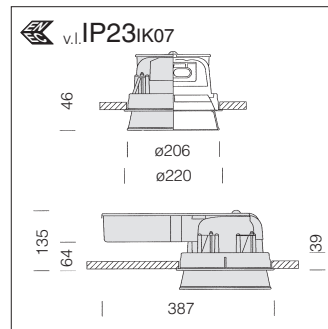
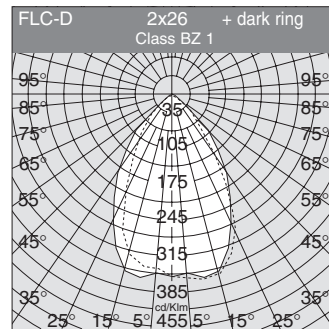


base	Watt	lamp	weight kg	colour	Code Fosnova
------	------	------	--------------	--------	-----------------

FLC-D/E
4000K
Ra=1b
 18W= 1200lm
 26W= 1800lm
 Consump. CELL=A2
 M
 Ø 208
 3 h



					CNRL
G24d-3	2x26	FLC-D	3,50	white	191416
					CELL
G24q-3	1x26	FLC-D/E	1,80	white	191417-08
G24q-2	2x18	FLC-D/E	1,85	white	191419-08
G24q-3	2x26	FLC-D/E	2,70	white	191416-08
					CELL-E
G24q-3	1x26	FLC-D/E	2,00	white	191417-09
G24q-2	2x18	FLC-D/E	4,70	white	191419-09
G24q-3	2x26	FLC-D/E	4,20	white	191416-09
					CELL-D
G24q-3	2x26	FLC-D	3,80	white	191416-12



Dark ring for Energy 8
 dark **91901**
 Dark-light ring, low-luminance optic. To be installed on art. Energy 8.



Colour ring for Energy 8

white	91916
red	91923
green	91945
yellow	91954
blue	91982

Coloured finishing ring to be fitted to the art. Energy 8.

Housing: V2 self-extinguishing, UV-stabilized, anti-yellowing polycarbonate.

Reflector: Polycarbonate, metallized with high grade aluminium powders through a C.V.D. hard-vacuum process for greater light control and efficiency. Prismatic faceting with flux recuperating system.

Diffuser: Supplied with an opal faceted polycarbonate cone diffuser. With clear coloured ring.

Lampholder: Ceramic with silver-plated contacts, or polycarbonate with phosphorous bronze contacts.

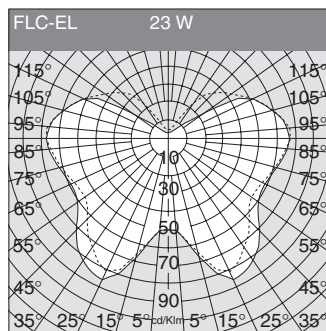
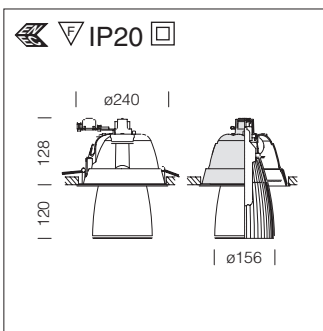
Electric gear: 230-240V/50-60Hz power supply: 2P wire, cross section 0.75 mm². Polycarbonate terminal block (maximum allowed lead cross section 2.5 mm²).

Equipment: Supplied with stainless steel springs ensuring perfect adherence to 5 to 37 mm. thick false ceilings.

Regulations: Manufactured in accordance with EN 60598-1-CEI 34.21 standards. Degree of protection in accordance with EN60529 standards.



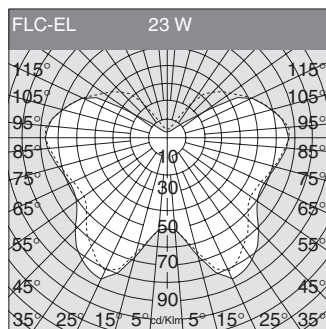
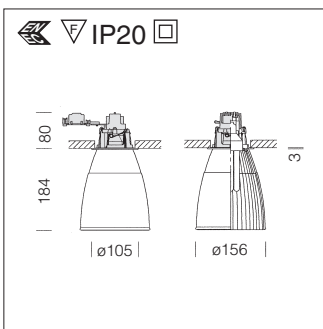
base	Watt	lamp	weight kg	colour	Code Fosnova
------	------	------	--------------	--------	-----------------



FLC
L
FLC-T
3000K
Ra=1b
2400lm
L
Consump. CELL=A2
Ø 226
Human icon
Light fixture icon

Argostar 1					S
E27	max23	FLC-EL	1,70	aluminium	171173
					CELL
GX24q-3	32	FLC-T/E	2,80	aluminium	171172

FLC32T/E version with lateral control gear box. Blue coloured ring accessory and opal cone included. Band springs for panel from 1mm to 20mm thick.



FLC
Ø 90
Human icon
Light fixture icon

Argostar 2					S
E27	max23	FLC-EL	1,00	black	171033

Standard supply includes cone; coloured ring not included.

Coloured ring	acc.
white	91811
red	91822
green	91843
yellow	91854
blue	91885

Coloured finishing ring to be fitted to the opal cone.

