

Hotel Sandals Royal Hicacos Resort - Cuba



A high degree of technological expertise achieved in designing and manufacturing, combined with an excellent integration between industrial and lighting design, have enabled the creation of a new line of recessed fixtures using compact fluorescent lamps.

**Housing:** Vandal-resistant, V2 self-extinguishing, UV-stabilized, anti-yellowing white polycarbonate, with flux recuperating closing port that also keeps out dust.

**Diffuser:** Vandal-resistant, V2 self-extinguishing, UV-stabilized, prismatic clear polycarbonate.

**Gold Reflector:** Polycarbonate, metallized with high grade aluminium powders through a C.V.D. hard-vacuum process for greater light control and efficiency. Prismatic faceting with flux recuperating system. Ideal for installation in open space offices and shopping centres. The reflector's special manufacturing process ensures a high degree of glare prevention and brightness once lit, making the fixture suitable for any work environment.

**Matt reflector:** Silver colour painted white polycarbonate with a prismatic faceting. Its diffused light makes it perfect for passageways not



base	Watt	lamp	weight kg	colour	Code Fosnova
------	------	------	--------------	--------	-----------------



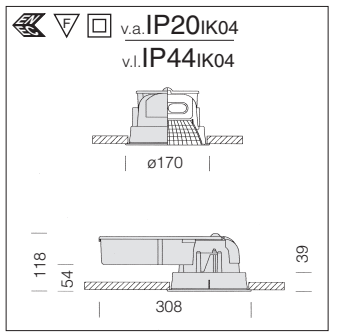
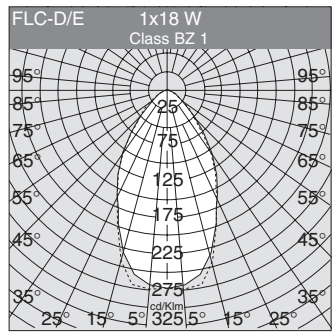
FLC-D/E  
**4000K**  
**Ra=1b**  
13W=  
900lm  
18W=  
1200lm

Consump.  
CELL=A2







Energy 6 gold					CELL
G24q-1	2x13	FLC-D/E	1,20	gold	<b>191613-08</b>
G24q-2	1x18	FLC-D/E	1,50	gold	<b>191618-08</b>
CELL-E					
G24q-1	2x13	FLC-D/E	1,90	gold	<b>191613-09</b>



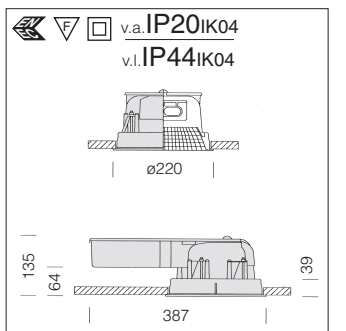
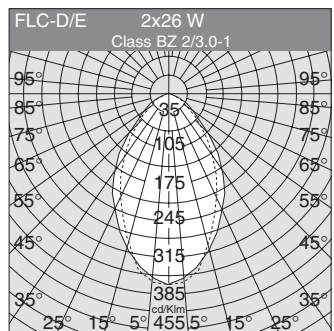
FLC-D/E  
**4000K**  
**Ra=1b**  
18W=  
1200lm  
26W=  
1800lm

Consump.  
CELL=A2







Energy 7 gold					CELL
G24q-2	2x18	FLC-D/E	1,85	gold	<b>191719-08</b>
G24q-3	2x26	FLC-D/E	2,50	gold	<b>191716-08</b>
CELL-E					
G24q-2	2x18	FLC-D/E	2,30	gold	<b>191719-09</b>
G24q-3	2x26	FLC-D/E	3,00	gold	<b>191716-09</b>

requiring high luminous control.

**Electric gear:** 230V/50Hz power supply with heat protection: Hard wire, cross section 0.50 mm<sup>2</sup>, and high-temperature resistant (up to 90°C) PVC-HT sheath, in accordance with CEI 20-20 standards. 2P terminal block (maximum allowed lead cross section 2.5 mm<sup>2</sup>).

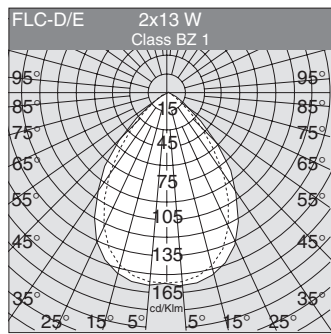
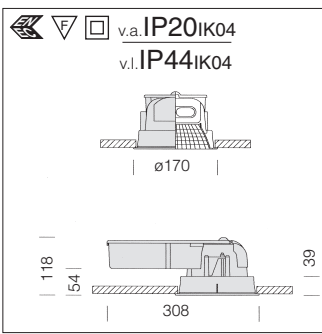
**Equipment:** Supplied with zinc-plated adjustable brackets ensuring perfect adherence to false ceilings (max thickness 37mm).

**Regulations:** Manufactured in accordance with EN60598 - CEI 34 - 21 standards. Degree of protection in accordance with EN60529 standards.

**Emergency version:** With separate electric gear box, in maintained version. In the event of a black-out a single lamp connected to the back-up circuit stays on. Run time: 60 minutes.

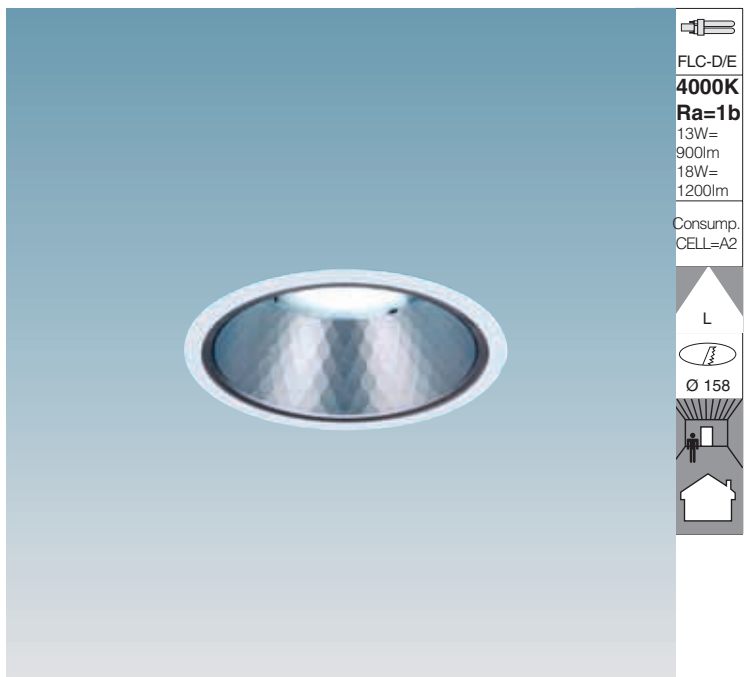


base	Watt	lamp	weight kg	colour	Code Fosnova
------	------	------	--------------	--------	-----------------

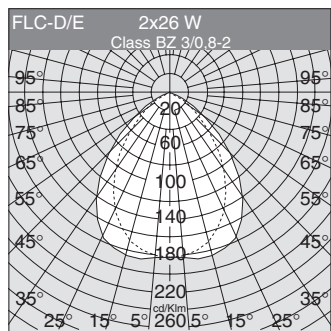
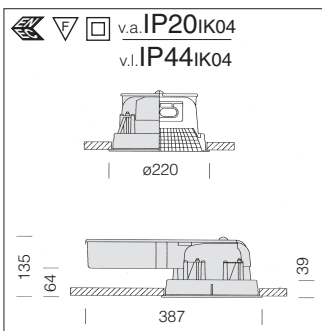


**Energy 1 bis - MATT**

					CELL
G24q-1	1x13	FLC-D/E	1,50	matt	<b>191024-08</b>
G24q-2	1x18	FLC-D/E	1,50	matt	<b>191025-08</b>
G24q-1	2x13	FLC-D/E	2,00	matt	<b>191026-08</b>
					<b>CELL-E</b>
G24q-1	2x13	FLC-D/E	2,00	matt	<b>191026-09</b>



FLC-D/E  
**4000K**  
**Ra=1b**  
13W= 900lm  
18W= 1200lm  
Consump. CELL=A2  
L  
Ø 158  
Home icon



**Energy 2 bis - MATT**

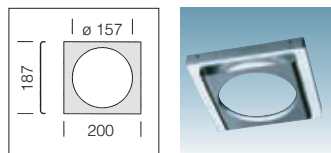
					CELL
G24q-3	1x26	FLC-D/E	2,30	matt	<b>191126-08</b>
G24q-2	2x18	FLC-D/E	1,80	matt	<b>191129-08</b>
					<b>CELL</b>
G24q-3	2x26	FLC-D/E	3,00	matt	<b>191127-08</b>



FLC-D/E  
**4000K**  
**Ra=1b**  
18W= 1200lm  
26W= 1800lm  
Consump. CELL=A2  
L  
Ø 208  
Home icon

**Recess round-edge shooks**

black **91940**  
For installation on round-edge shooks: 2 pitch 100 shooks or 1 pitch 200 shook. **For Energy 1/6/9.**





**Metallized aluminium reflector:** Polycarbonate, metallized with high grade aluminium powders through a C.V.D. hard-vacuum process for greater light control and efficiency. Prismatic faceting with flux recuperating system. Ideal for installation in open space offices and shopping centres. The reflector's special manufacturing process ensures a high degree of glare prevention and brightness once lit, making the fixture suitable for any work environment.

Double circuit 2x13 EL version for passageways with higher sensitivity.(same price)



base	Watt	lamp	weight	colour	Code Fosnova
------	------	------	--------	--------	-----------------



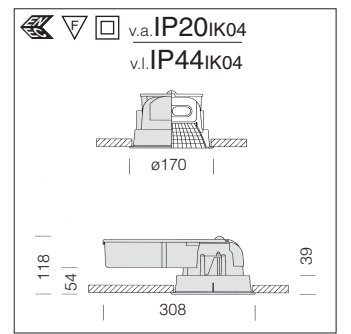
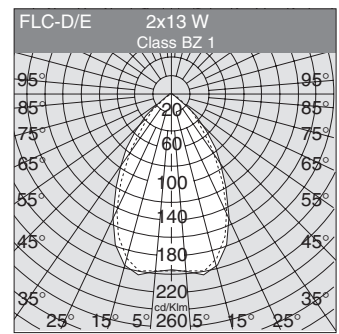
FLC-D/E  
**3000K**  
**Ra=1b**  
13W=  
900lm  
18W=  
1200lm

Consump.  
CELL=A2









Energy 1					CELL
G24q-1	1x13	FLC-D/E	1,25	white	<b>191017-08</b>
G24q-2	1x18	FLC-D/E	1,50	white	<b>191018-08</b>
G24q-1	2x13	FLC-D/E	1,20	white	<b>191013-08</b>
CELL-E					
G24q-1	1x13	FLC-D	1,25	white	<b>191017-09</b>
G24q-2	1x18	FLC-D/E	3,20	white	<b>191018-09</b>
G24q-1	2x13	FLC-D/E	1,70	white	<b>191013-09</b>



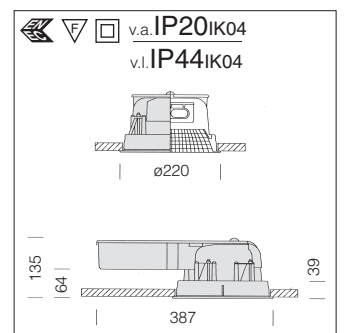
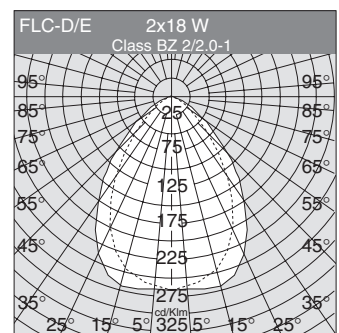
FLC-D/E  
**3000K**  
**Ra=1b**  
18W=  
1200lm  
26W=  
1800lm

Consump.  
CELL=A2





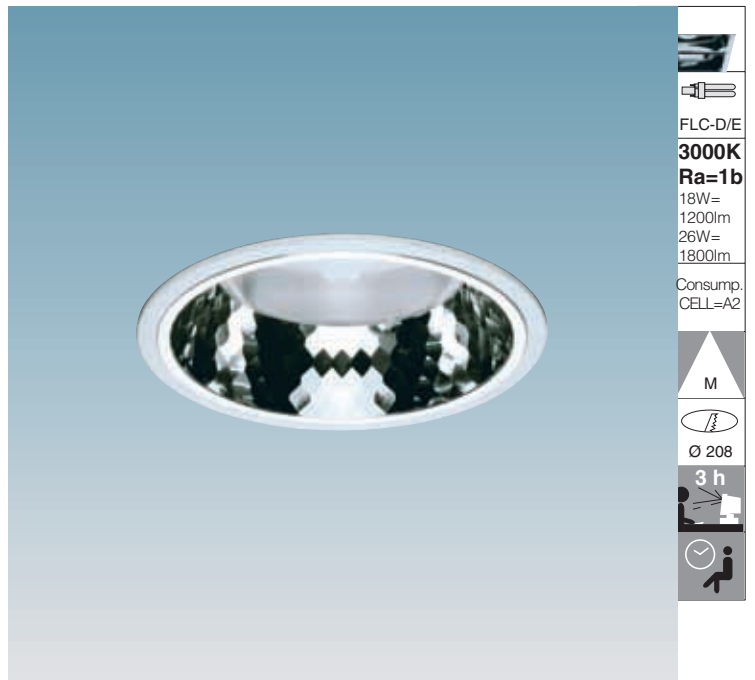
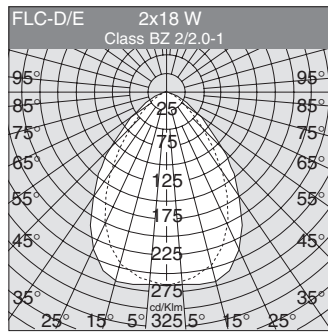
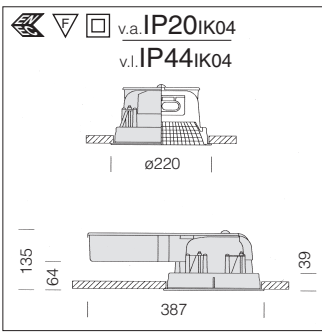




Energy 2					CELL
G24q-2	1x18	FLC-D/E	1,85	white	<b>191111-08</b>
G24q-3	1x26	FLC-D/E	2,70	white	<b>191117-08</b>
G24q-2	2x18	FLC-D/E	1,85	white	<b>191119-08</b>
G24q-3	2x26	FLC-D/E	2,70	white	<b>191116-08</b>
CELL-E					
G24q-2	18+18	FLC-D/E	3,00	white	<b>191119-09</b>
G24q-3	26+26	FLC-D/E	3,60	white	<b>191116-09</b>



base Watt lamp weight colour Code  
kg iFosnova

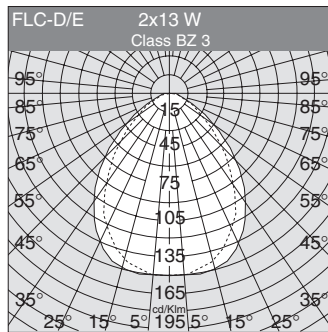
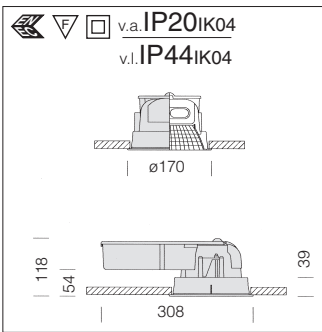


FLC-D/E  
**3000K**  
**Ra=1b**  
18W= 1200lm  
26W= 1800lm  
Consump. CELL=A2  
M  
Ø 208  
3 h  
⌚

**Energy DIMM**

**CELL-D**

G24q-2	1x18	FLC-D/E	2,30	white	<b>191111-12</b>
G24q-2	2x18	FLC-D/E	1,80	white	<b>191119-12</b>
G24q-3	1x26	FLC-D/E	2,30	white	<b>191117-12</b>
G24q-3	2x26	FLC-D/E	3,00	white	<b>191116-12</b>



FLC-D/E  
**3000K**  
**Ra=1b**  
13W= 900lm  
18W= 1200lm  
Consump. CELL=A2  
L  
Ø 158  
⌚  
🏠

**Energy 1 bis**

**CELL**

G24q-2	1x18	FLC-D/E	1,50	white	<b>191028-08</b>
G24q-1	2x13	FLC-D/E	1,00	white	<b>191023-08</b>

**CELL-E**

G24q-2	1x18	FLC-D/E	1,50	white	<b>191028-09</b>
G24q-1	2x13	FLC-D/E	1,00	white	<b>191023-09</b>