

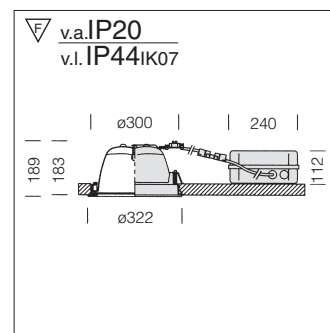
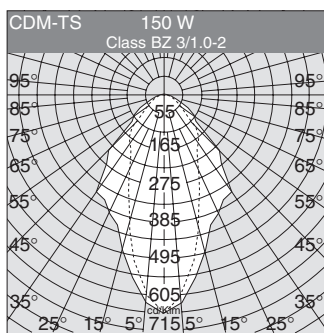


base	Watt	lamp	weight kg	colour	Code Fosnova
------	------	------	--------------	--------	-----------------

CDM-TS
3000K
Ra=1b
13250lm

M

Ø 300



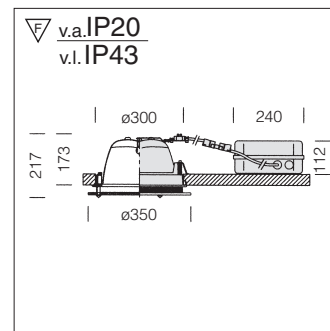
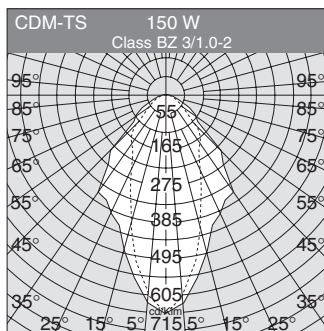
Euro 2 with glass					CELL
RX7s	150	CDM-TS	6,30	white	89117-08
					CNRL
RX7s+B15-d150+100CDM-TS+CLA	7,00	white			89117-79

CLA version:
In JM discharge lamps, the nominal luminous level is not reached immediately. To overcome this disadvantage, the CLA version includes an electronic switching device that ignites the secondary ALO 100W lamp until the main lamp is fully operating.

CDM-TS
3000K
Ra=1b
13250lm

M

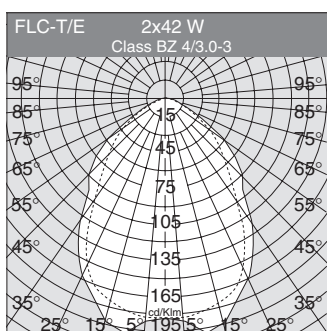
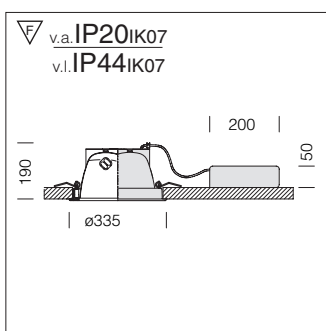
Ø 300



Euro 3 with external glass					CELL
RX7s	150	CDM-TS	6,60	white	89217-08
					CNRL
RX7s+B15-d150+100CDM-TS+CLA	6,60	white			89217-79



base	Watt	lamp	weight kg	colour	Code Fosnova
------	------	------	--------------	--------	-----------------



Euro 4					CELL
GX24-q4	2x42	FLC-T/E	3,50	white	89310
					CELL-E
GX24-q4	2x42	FLC-T/E	4,10	white	89310-07

Versions in die-cast aluminium with polished plated optics.
Screw security opening at 1/4 turn.

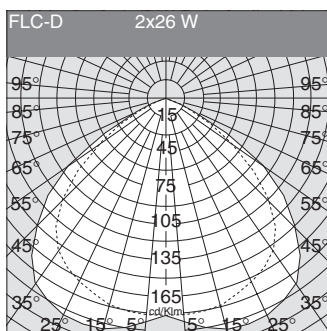
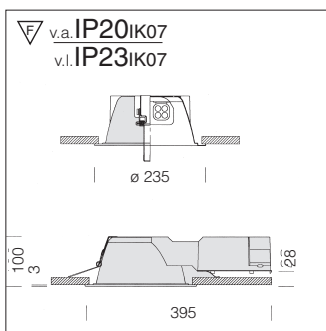


FLC-T/E
3000K
Ra=1b
3200lm
Consump.
CELL=A2

L

Ø 320

3 h



Service mat aluminium					CNRL
G24d-1	2x13	FLC-D	1,20	aluminium	152115
G24d-2	2x18	FLC-D	1,60	aluminium	152116
G24d-3	2x26	FLC-D	1,60	aluminium	152117
					CNRL-E
G24d-1/q1	2x13	FLC-D-D/E	2,60	aluminium	152115-07
G24d-2/q2	2x18	FLC-D-D/E	2,60	aluminium	152116-07
G24d-3/q3	2x26	FLC-D-D/E	3,30	aluminium	152117-07

Housing: in galvanized sheet.
Reflector: in oxy.aluminium to receive more soft light effect.



FLC-D/E
4000K
Ra=1b
13W= 900lm
18W= 1200lm
26W= 1800lm
Consump.
CELL=A2
CNRL=B2

L

Ø220

DIM
A1

RECESSED
DOWN LIGHTS