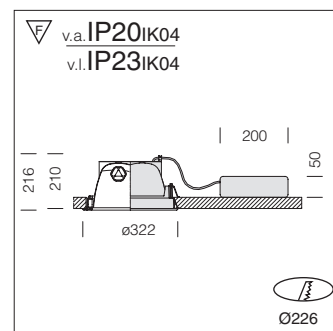
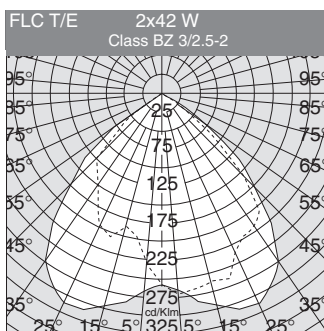


base	Watt	lamp	weight kg	colour	Code Fosnova
------	------	------	--------------	--------	-----------------

	FLC-D
3000K Ra=1b 26W= 1800lm	
	FLC-D/E
3000K Ra=1b 26W= 1800lm	
	FLC-T/E
3000K Ra=1b 32W= 2400lm 42W= 3200lm	
Consump. CELL=A2 CNRL=B2	



Euro 1					CBRL
G24d-3	3x26	FLC-D	3,60	white	89013
					CELL
G24q-3	3x26	FLC-D/E	3,10	white	89013-08
GX24q-3	2x32	FLC-T/E	3,50	white	89014
GX24q-4	2x42	FLC-T/E	3,50	white	89015
					CBRL-E
G24d-3+G24q-3	2x26+26	FLC-D+D/E	4,10	white	89013-07
					CELL-D
GX24q-4	2x42	FLC-T/E	3,50	white	89015-12
					CNRL-E
GX24q-3	2x32	FLC-T/E	4,00	white	89014-09
GX24q-4	2x42	FLC-T/E	4,00	white	89015-09

To complete the fixture, it is recommended to use the optic accessories.

Range of recess-mounted fixtures for energy saving or discharge lamps.

Housing: Made of die-cast aluminium. To be completed with accessories

Reflector: Polished anodised aluminium.

Coating: UV-stabilised white enamel acrylic anionic electrocoating.

Electric gear: 230V/50Hz power supply. Hard wire, cross-section 0.50 sqmm and high-temperature resistant (up to 90°C) PVC-HT sheath, in accordance with CEI 20-20 standards. or flexible wire terminated with quick-connection admiralty brass clamps. Silicone insulation with fibre-glass braid; cross-section: 1.5 mm². 2P+T terminal block (maximum allowed lead cross-section 2.5 mm²). Plug and socket connection. Discharge lamp versions are equipped with heat protection

Equipment: Supplied with galvanised steel adjustable brackets. With safety springs to prevent the diffuser from falling.

Regulations: Manufactured in compliance with EN60598 - CEI 34 -21 standards. The level of protection complies with the EN60529 standard.

Lamps: Supplied with energy-saving or discharge lamps.

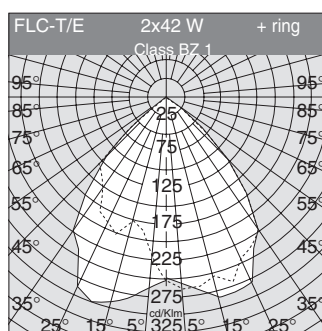
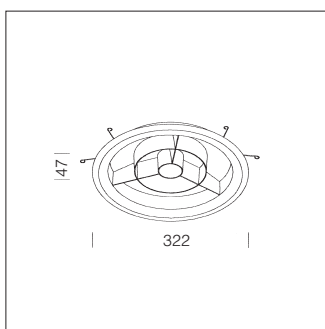


Optic accessories for Euro 1

Dark ring

92312

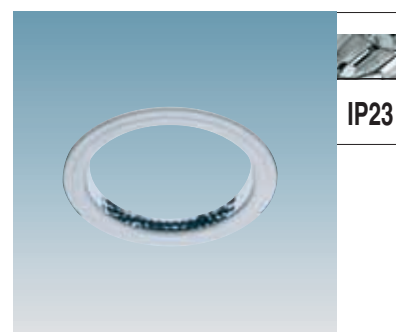
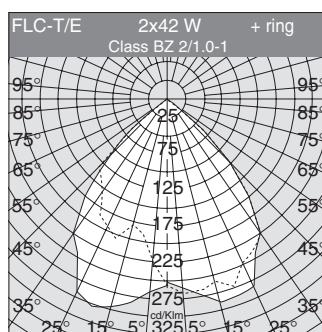
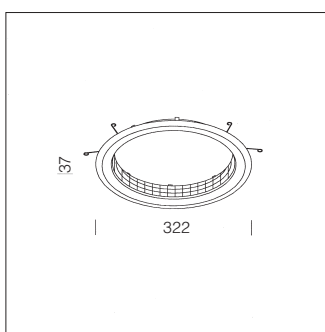
Low luminance "dark" ring. In metallic polycarbonate for greater control of the light. To be used with art. Euro 1.



Facetted ring prism.

92310

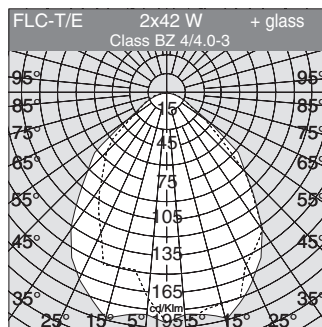
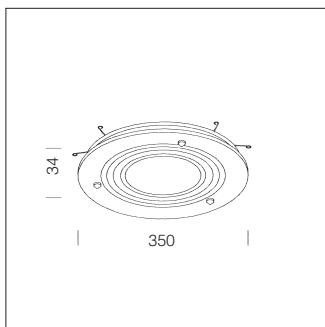
Low-luminance ring. In metallated polycarbonate with prism-like facets for greater luminous control. To be used with art. Euro 1.



Glass

printed 92313

Ring with a silk screen glass. Complete with ring in silk finish sheet steel to prevent insects from entering. To be used with art. Euro 1 which becomes IP43.



Ring with glass

printed 92311

Ring with a silk screen glass insert. To be used with art. Euro 1 which becomes IP44.

