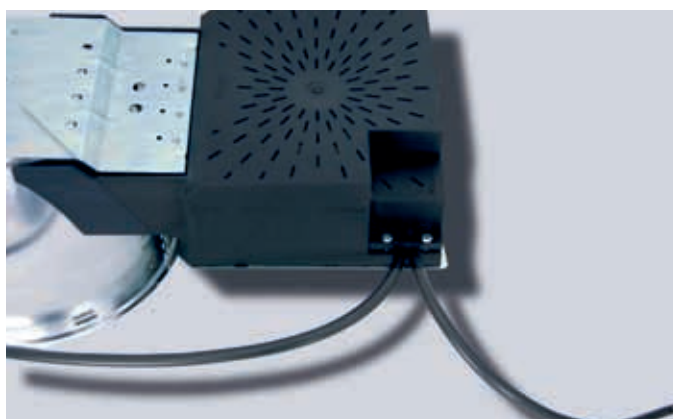




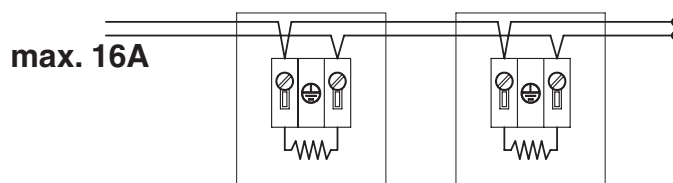
"Loop-In"



"Loop-in" refers to a connection system to the mains power supply of two or more lighting fixtures, where each conductor comes in and out of the same terminal. (see drawing)

Office comes with a range of terminals, enabling fitters to plug the power supply cable into the internal electrical circuit through automatic wire clamps.

The rated current of the loop-in terminal is set at **16A** for these connections.



"GST18i3 wire and GST18i5 wire"



Office can also be supplied upon request with the following accessories, in order to optimise product installation times and servicing:

Equipped with:

- PVC cable H05V2V2-F3G1.5 (the length of the outlet cable varies from 0.5 to 1, 2, 3 m);
- 3 pole plug GST18i3 supplied with a socket for connection to the system



Equipped with:

- PVC H05VV-F5G1.5 cable (the length of the outlet cable varies from 0.5 to 1, 2, 3 m);
- 5 pole plug GST18i5 can be used with boxes or emergency equipment, and for connection to systems supplied with a plug



CEI EN 60598-1+A11 del 2000 / CEI EN 60598-2-2+A1 del1997



To guarantee fixture safety and operation, the responsible agencies of each country have established specific construction standards to protect end users. Pursuing a quality and safety policy, Disano Group constructs its products in compliance with these CEI EN 60598-1 standards.

A high degree of technological expertise achieved in designing and manufacturing, combined with an excellent integration between industrial and lighting design, have enabled the creation of a new line of recessed fixtures using compact fluorescent lamps. A family of fixtures designed to combine high energy saving with excellent light quality, to address diverse needs concerning safety (IP44) as well as maintenance.

Housing/Reflector: Aluminium, with polished aluminium optical system.

Electric gear: 230V-50Hz power supply with heat protection. Hard wire, cross section 0.50 mm², and high-temperature resistant (up to 90°C) PVC-HT sheath, in accordance with CEI 20-20 standards. 2P + T polycarbonate terminal block (maximum allowed lead cross section 2.5 mm²).

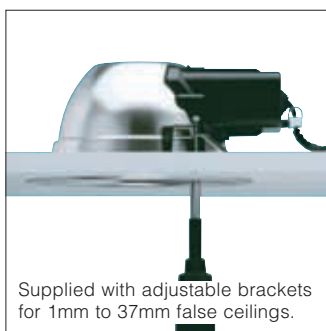
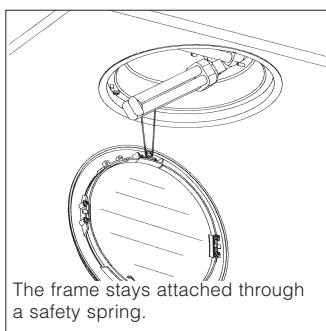
Equipment: Watertight standard electric gear box, separated from the lamp compartment for effective heat dissipation. Supplied with galvanised steel adjustable brackets, ensuring perfect adherence to 1 to 37 mm. thick false ceilings.

Regulations: Manufactured in accordance with EN60598 – CEI 34-21 standards. Degree of protection IP44IK07 in accordance with EN60529 standards. Can be installed on normally flammable surfaces.

Optimal for installation in:

- KITCHEN
- BATHROOMS
- HEALTH CENTRES
- PRIVATE SWIMMING POOLS
- PHARMACIES

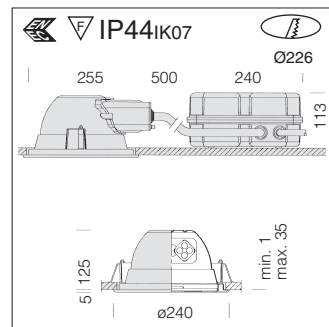
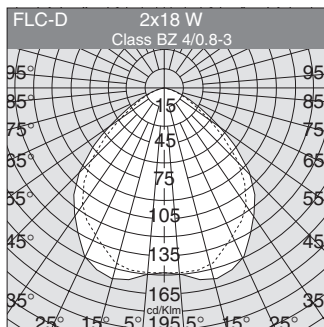
- HOSPITALS
- HEALTH CENTRES





| base | Watt | lamp | weight kg | colour | Code "Fosnova" |
|------|------|------|-----------|--------|----------------|
|------|------|------|-----------|--------|----------------|

- FLC-D
- 4000K**
- Ra=1b**
- 18W= 1200lm
- 26W= 1800lm
- FLC-D/E
- 4000K**
- Ra=1b**
- 13W= 900lm
- 18W= 1200lm
- 26W= 1800lm
- Consump. CELL=A2 CNRL=B2
-
-
- Ø226



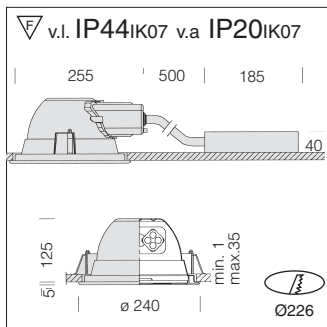
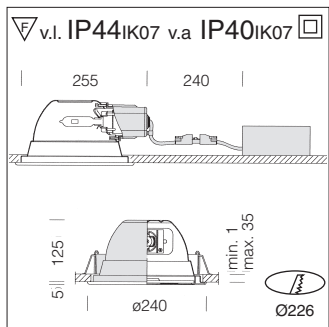
Shell 1 with glass

| | | | | | CNRL |
|--------|------|-------|------|-----------|---------------|
| G24d-2 | 1x18 | FLC-D | 2,00 | white | 175073 |
| G24d-2 | 1x18 | FLC-D | 2,00 | m. silver | 175074 |
| G24d-3 | 1x26 | FLC-D | 2,20 | white | 175075 |
| G24d-3 | 1x26 | FLC-D | 2,20 | m. silver | 175076 |
| G24d-2 | 2x18 | FLC-D | 2,50 | white | 175071 |
| G24d-2 | 2x18 | FLC-D | 2,50 | m. silver | 175072 |
| G24d-3 | 2x26 | FLC-D | 2,50 | white | 175078 |
| G24d-3 | 2x26 | FLC-D | 2,50 | m. silver | 175079 |

CNRL-E

| | | | | | |
|--------|------|---------|------|-----------|------------------|
| G24q-2 | 1x18 | FLC-D/E | 2,00 | white | 175073-07 |
| G24q-2 | 1x18 | FLC-D/E | 2,00 | m. silver | 175074-07 |
| G24q-3 | 1x26 | FLC-D/E | 2,20 | white | 175075-07 |
| G24q-3 | 1x26 | FLC-D/E | 2,20 | m. silver | 175076-07 |
| G24d-2 | 2x18 | FLC-D/E | 3,50 | white | 175071-07 |
| G24d-2 | 2x18 | FLC-D/E | 3,50 | m. silver | 175072-07 |

Version supplied with ring and protection glass. FLC1x13D version available on request.



Shell 3 with glass

| | | | | | CNRL |
|--------|------|-------|------|-----------|----------------|
| G24d-1 | 2x13 | FLC-D | 2,00 | white | 175091 |
| G24d-1 | 2x13 | FLC-D | 2,00 | m. silver | 175092 |
| G24d-2 | 2x18 | FLC-D | 2,50 | white | 175093 |
| G24d-2 | 2x18 | FLC-D | 2,50 | m. silver | 175094 |
| G24d-3 | 2x26 | FLC-D | 3,50 | white | 175095 |
| G24d-3 | 2x26 | FLC-D | 3,50 | m. silver | 175096 |
| G12 | 70 | CDM-T | 4,50 | m. silver | *175097 |

CNRL-E

| | | | | | |
|--------|------|---------|------|-----------|------------------|
| G24q-1 | 2x13 | FLC-D/E | 2,00 | white | 175091-07 |
| G24q-1 | 2x13 | FLC-D/E | 2,00 | m. silver | 175092-07 |

CELL-E

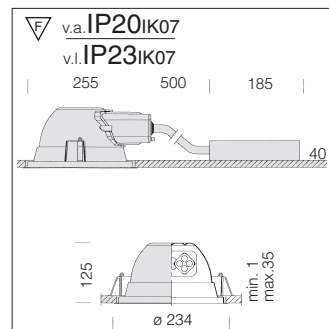
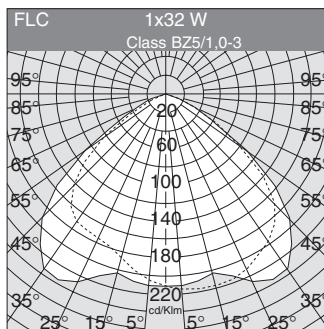
| | | | | | |
|--------|------|---------|------|-----------|------------------|
| G24q-2 | 2x18 | FLC-D/E | 2,50 | white | 175093-09 |
| G24q-2 | 2x18 | FLC-D/E | 2,50 | m. silver | 175094-09 |
| G24q-3 | 2x26 | FLC-D/E | 3,50 | white | 175095-09 |
| G24q-3 | 2x26 | FLC-D/E | 3,50 | m. silver | 175096-09 |

Version supplied with ring and protection glass.

Version CDM-T with opal glass.

* 175097 = Version CDM - with opal glass.

- FLC-D
- 4000K**
- Ra=1b**
- 18W= 1200lm
- 26W= 1800lm
- FLC-D/E
- 4000K**
- Ra=1b**
- 18W= 1200lm
- 26W= 1800lm
- FLC-T/E
- 3000K**
- Ra=1b**
- 32W= 2400lm
- 42W= 3200lm
- Consump. CELL=A2 CNRL=B2
- Ø226



Shell 2

| | | | | | CNRL |
|--------|------|-------|------|---------|---------------|
| G24d-2 | 2x18 | FLC-D | 2,00 | alumin. | 175173 |
| G24d-3 | 2x26 | FLC-D | 2,00 | alumin. | 175174 |

CELL-E

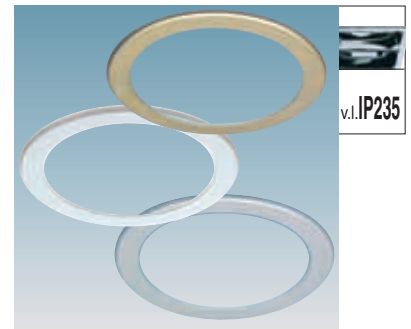
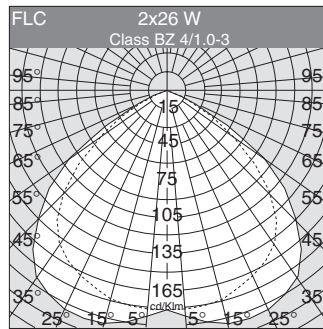
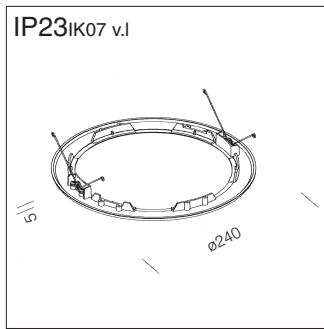
| | | | | | |
|---------|------|---------|------|---------|------------------|
| G24q-2 | 2x18 | FLC-D/E | 1,80 | alumin. | 175173-08 |
| G24q-3 | 2x26 | FLC-D/E | 1,80 | alumin. | 175174-08 |
| Gx24q-3 | 1x32 | FLC-T/E | 2,50 | alumin. | 175175 |
| Gx24q-3 | 2x32 | FLC-T/E | 2,50 | alumin. | 175176 |
| Gx24q-4 | 1x42 | FLC-T/E | 2,50 | alumin. | 175177 |

We recommend using the FLC 2x32 version without glass with acc. 92575.

Finishing ring

| | |
|-----------|--------------|
| white | 92510 |
| m. silver | 92561 |
| golden | 92582 |

To be applied on art. Shell 2.

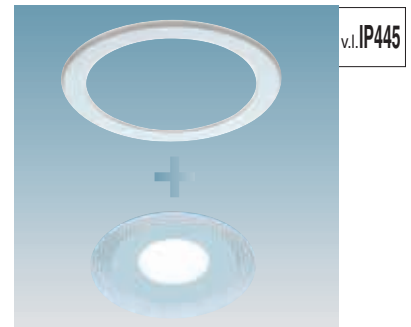
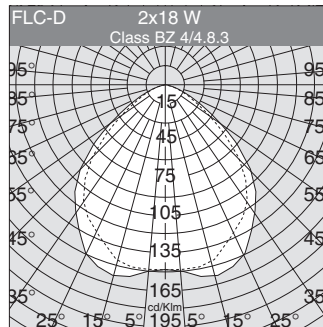
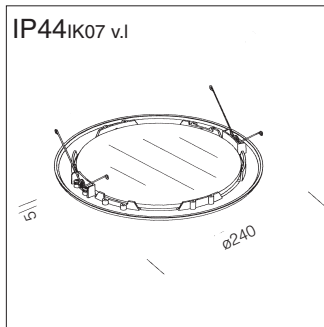


v.I. IP235

Finishing ring + glass

| | |
|-----------|--------------|
| white | 92511 |
| m. silver | 92562 |

Ring with silk-screen printed glass to be applied on art. Shell 2

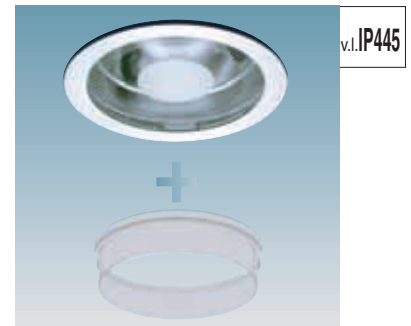
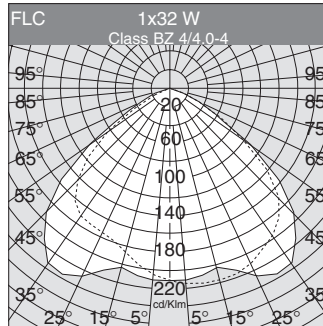
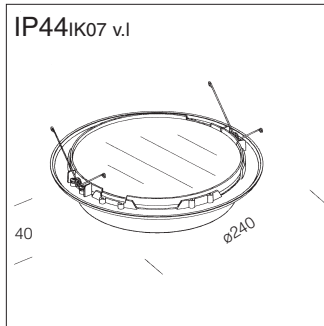


v.I. IP445

Ring+glass+skirt

| | |
|-----------|--------------|
| white | 92512 |
| m. silver | 92563 |

Accessory with ring+glass+opal skirt to be applied to Shell 2.

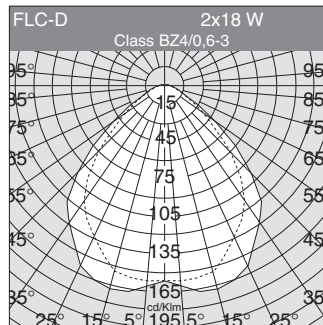
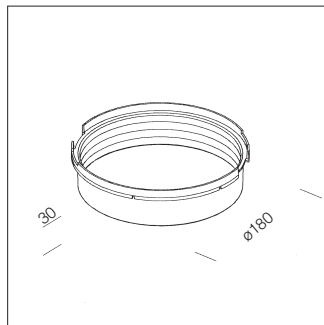


v.I. IP445

Skirt

| | |
|--------|--------------|
| white | 92513 |
| red | 92524 |
| green | 92546 |
| yellow | 92555 |
| blue | 92583 |

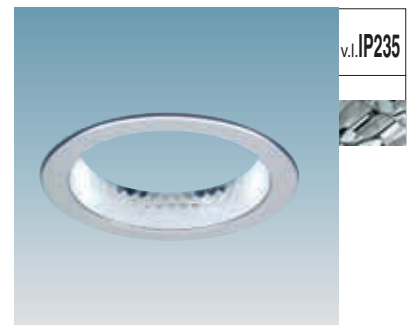
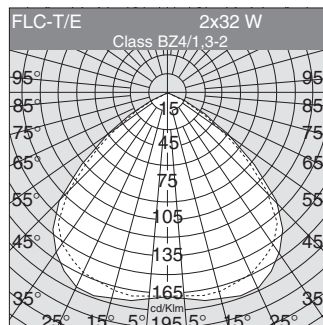
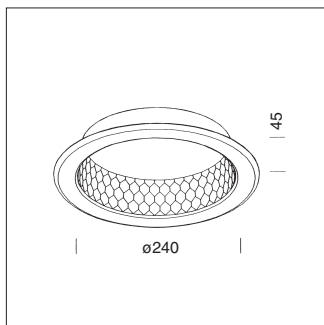
Coloured skirt to be applied to ring + glass or ring only accessory.



Facetted ring

| | |
|------|--------------|
| met. | 92575 |
|------|--------------|

In metallic polycarbonate with prismatic faceting for greater light control.



v.I. IP235

Glass

| | |
|---------|--------------|
| sandbl. | 92517 |
| printed | 92514 |

For versions with finishing ring. It is not applied with cod 92575.

