





FLC-D/E

**4000K**  
**Ra=1b**

13W=900lm  
18W=1200lm  
26W=1800lm

Consump.  
CELL=A2

M

Ø180

DIM  
A1





FLC-D/E

**4000K**  
**Ra=1b**

13W=900lm  
18W=1200lm  
26W=1800lm

Consump.  
CELL=A2  
CNRL=A2

M

Ø220

DIM  
A1



**Housing:** In black galvanised sheet metal.

**Reflector:** V2 self-extinguishing polycarbonate, metallized with aluminium powders through a C.V.D. hard-vacuum process for greater luminous efficiency and better light control, IP44 with diffuser.

**Lampholder:** Polycarbonate with phosphorous bronze contacts.

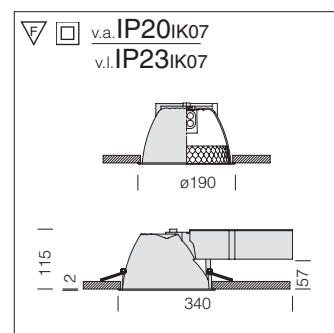
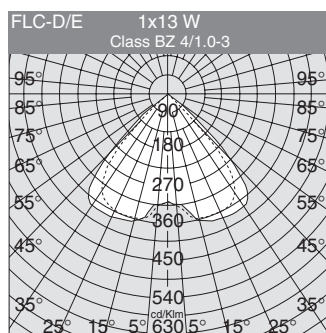
**Electric gear:** 230V/50Hz power supply: Hard wire, cross-section 0.50 sqmm, and high-temperature resistant (up to 90°C) PVC-HT sheath, in accordance with CEI 20-20 standards. 2P+T terminal block (maximum allowed lead cross-section 2.5 sqmm.).

**Equipment:** Electric accessories located on the side of the housing inside a polycarbonate box with cooling slots; flush springs from 1mm up to 40mm.

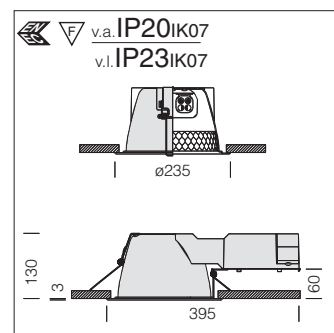
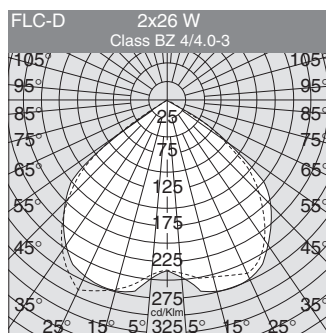
**Lamps:** Supplied with FLC/D energy saving lamps.

**Emergency version:** With separate electric gear box, in maintained version. In the event of a black-out a single lamp connected to the back-up circuit stays on. Run time: 60 minutes.

base	Watt	lamp	weight kg	colour	Code Fosnova
------	------	------	-----------	--------	-----------------

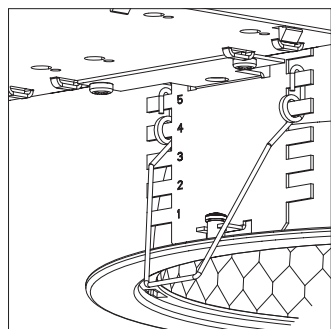


Office 1 - 65°					CELL
2G7	1x7	FLC-D/E	0,60	aluminium	<b>151917</b>
2G7	1x9	FLC-D/E	0,60	aluminium	<b>151919</b>
G24q-1	1x13	FLC-D/E	0,60	aluminium	<b>151910</b>
G24q-2	1x18	FLC-D/E	0,60	aluminium	<b>151911</b>
G24q-3	1x26	FLC-D/E	0,60	aluminium	<b>151913</b>
CELL-E					
G24q-1	1x13	FLC-D/E	0,60	aluminium	<b>151910-09</b>
G24q-2	1x18	FLC-D/E	0,60	aluminium	<b>151911-09</b>

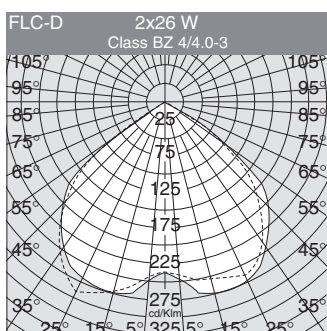
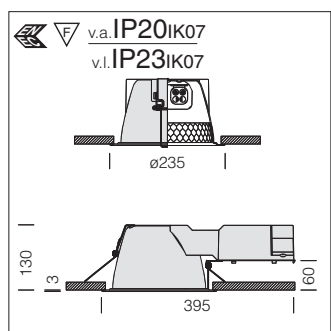


Office 2 - 65° with aluminium rim					CNRL
G24d-3	1x26	FLC-D	1,80	aluminium	<b>152012</b>
G24d-1	2x13	FLC-D	2,10	aluminium	<b>152015</b>
G24d-2	2x18	FLC-D	2,10	aluminium	<b>152016</b>
G24d-3	2x26	FLC-D	2,30	aluminium	<b>152017</b>
CELL					
G24q-3	1x26	FLC-D/E	1,40	aluminium	<b>152012-08</b>
G24q-1	2x13	FLC-D/E	1,40	aluminium	<b>152015-08</b>
G24q-2	2x18	FLC-D/E	1,40	aluminium	<b>152016-08</b>
G24q-3	2x26	FLC-D/E	1,40	aluminium	<b>152017-08</b>
CNRL-E					
G24q-3	1x26	FLC-D-D/E	2,80	aluminium	<b>152012-07</b>
G24q-1	2x13	FLC-D-D/E	3,10	aluminium	<b>152015-07</b>
G24q-2	2x18	FLC-D-D/E	3,10	aluminium	<b>152016-07</b>
G24q-3	2x26	FLC-D-D/E	3,30	aluminium	<b>152017-07</b>

Complete with band springs which guarantee a perfect contact with suspended ceiling from 1mm to 40mm thick.

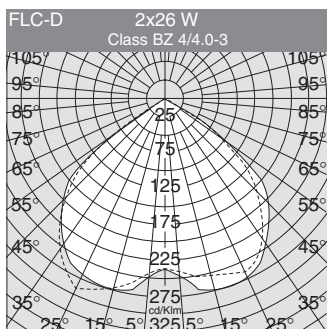
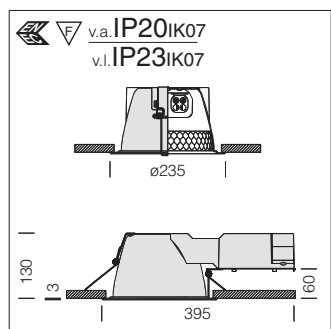


base	Watt	lamp	weight	colour	Code
			kg		Fosnova



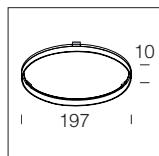
FLC-D/E	4000K	Ra=1b	18W= 1200lm	26W= 1800lm
FLC-R	4000K	Ra=1a	14W= 1050lm	17W= 1250lm
	Consump. CELL=A2 CNRL=B2			
M	Ø220			

Office 3 - 65° with white rim RAL 9010					CNRL
G24d-3	1x26	FLC-D	1,80	white	152010
G24d-1	2x13	FLC-D	2,10	white	152014
G24d-2	2x18	FLC-D	2,10	white	152018
G24d-3	2x26	FLC-D	2,30	white	152019
CELL					
G24q-3	1x26	FLC-D/E	1,40	white	152010-08
G24q-1	2x13	FLC-D/E	1,40	white	152014-08
G24q-2	2x18	FLC-D/E	1,40	white	152018-08
G24q-3	2x26	FLC-D/E	1,40	white	152019-08
CELL-E					
G24q-3	1x26	FLC-D/E	2,80	white	152010-09
G24q-1	2x13	FLC-D/E	3,10	white	152014-09
G24q-2	2x18	FLC-D/E	3,10	white	152018-09
G24q-3	2x26	FLC-D/E	3,10	white	152019-09



FLC-D/E	4000K	Ra=1b	18W= 1200lm	26W= 1800lm
	Consump. CELL=A2 CNRL=B2			
M	Ø220			
	DIM A1			

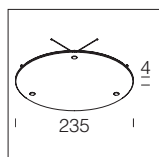
Office 4 - 65° with opal black rim					CNRL
G24d-2	2x18	FLC-D	2,10	black	152031
G24d-3	2x26	FLC-D	2,30	black	152033
CNRL-E					
G24q-2	2x18	FLC-D-D/E	3,10	black	152031-07
G24q-3	2x26	FLC-D-D/E	3,30	black	152033-07



**Coloured ring**

red	91828
green	91845
yellow	91856
blue	91887

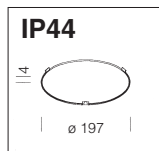
The ring in coloured decorative polycarbonate.



**Glass**

92314

Tempered printed glass with band springs.



**Office Diffuser 2-3-4-6**

transparent	91860
opal	91861

Diffuser in polycarbonate. **When used Office 2/3/4 /6 becomes IP44.** 60598-2-2 standard is recommended for electronic versions.



base	Watt	lamp	weight kg	colour	Code
------	------	------	-----------	--------	------

PL-R

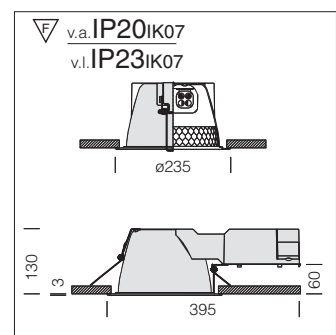
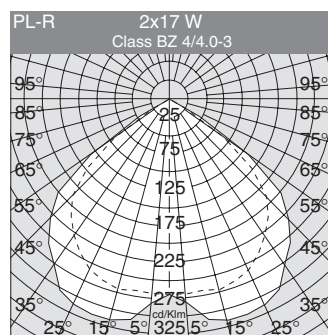
**4000K**  
**Ra=1a**  
14W=1050lm  
17W=1250lm

Consump. CELL=A2

M

Ø220

new



**Office 6 - 65° with lamp PL-R**

CELL

GR14q-1	2x14	PL-R	1,40	aluminium	<b>152074</b>
GR14q-1	2x17	PL-R	1,40	aluminium	<b>152075</b>

The version is complete with PL-R Eco energy saving lamp -25%

PL-R Eco 2x14W = PL-C 2x18W  
PL-R Eco 2x17W = PL-C 2x26W

A new version of Office comes with PL-R Eco lamps that save up to 25% electricity in contrast with ordinary compact fluorescent lamps. The new swivelling base facilitates installation procedures. It is equipped with a green lamp that has the lowest mercury content and the lowest energy consumption rate, based on the same luminous flux.

FLC-D/E

**4000K**  
**Ra=1b**  
13W=900lm  
18W=1200lm  
26W=1800lm

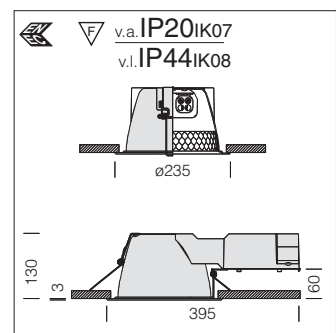
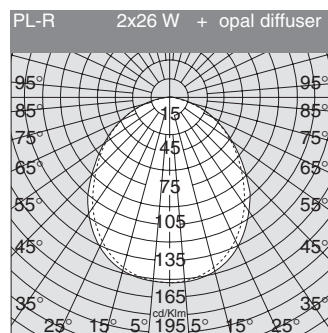
Consump. CELL=A2  
CNRL=B2

M

Ø220

DIM A1 new

IP44



**Office 5 IP44 - 65° alumin. rim and IP44 opal diffuser**

CNRL

G24d-3	1x26	FLC-D	1,80	aluminium	<b>152210</b>
G24d-1	2x13	FLC-D	2,10	aluminium	<b>152211</b>
G24d-2	2x18	FLC-D	2,10	aluminium	<b>152212</b>

CELL

G24q-3	1x26	FLC-D/E	1,40	aluminium	<b>152210-08</b>
G24q-1	2x13	FLC-D/E	1,40	aluminium	<b>152211-08</b>
G24q-2	2x18	FLC-D/E	1,40	aluminium	<b>152212-08</b>
G24q-3	2x26	FLC-D/E	1,40	aluminium	<b>152216-08</b>

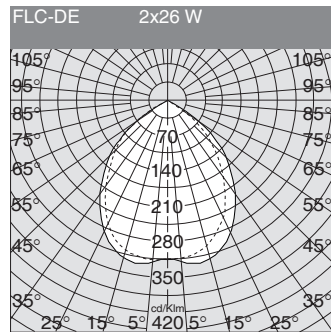
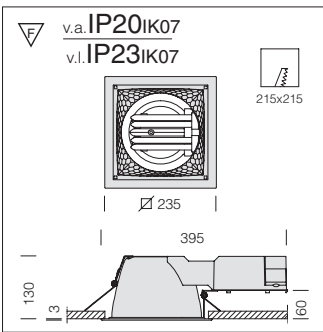
CELL-E

G24q-3	1x26	FLC-D/E	2,80	aluminium	<b>152210-09</b>
G24q-1	2x13	FLC-D/E	3,10	aluminium	<b>152211-09</b>
G24q-2	2x18	FLC-D/E	3,10	aluminium	<b>152212-09</b>
G24q-3	2x26	FLC-D/E	3,10	aluminium	<b>152216-09</b>

The version is complete with opal diffuser which transforms the article into IP44.



base	Watt	lamp	weight kg	colour	Code Fosnova
------	------	------	--------------	--------	-----------------



**new**

FLC-DE

**4000K**  
Ra=1b  
18W= 1200lm  
26W= 1800lm

**3000K**  
Ra=1b  
18W= 1200lm  
26W= 1800lm

Consump: CELL=A2 CNRL=B2

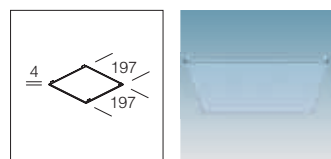
M

215x215

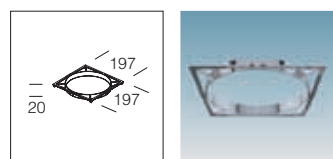
**DIM**  
A1

<b>Office 7 - square - 3000K</b>				CELL
G24q-2	2x18	FLC-D/E	1,40	aluminium <b>154071</b>
G24q-3	2x26	FLC-D/E	1,40	aluminium <b>154073</b>
<b>Office 7 - square - 4000K</b>				CELL
G24q-2	2x18	FLC-D/E	1,40	aluminium <b>154072</b>
G24q-3	2x26	FLC-D/E	1,40	aluminium <b>154074</b>

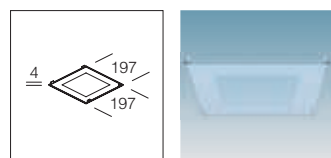
**Silk-screened diffuser** **91812**  
In polycarbonate.



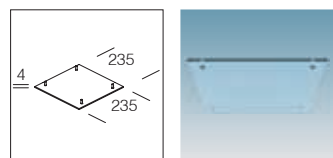
**Optics dark-light 65°** **91821**



**Silk-screened diffuser** **91813**  
In silk-screened polycarbonate rims.



**Tempered glass** **91823**  
Transparent tempered glass.



**Silk-screened diffuser** **91814**  
In silk-screened polycarbonate centre.

