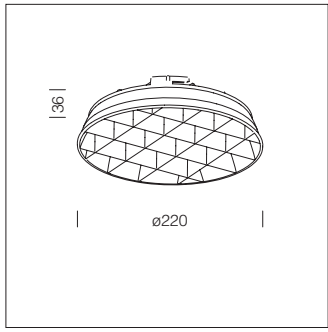
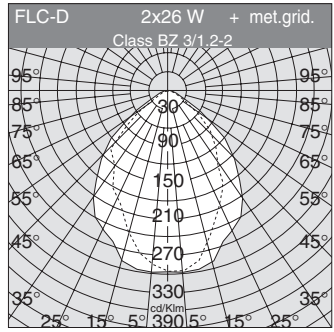


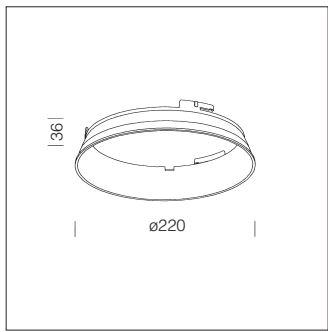
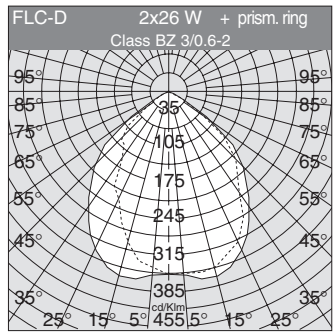
v.l. IP23



**Metallized grid**  
metal **91875**  
Square grid in metallic polycarbonate for greater control of the light.



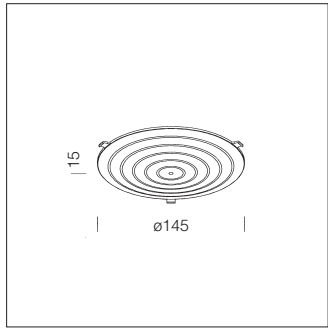
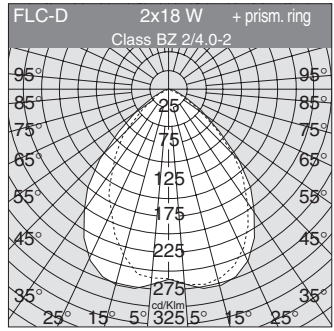
v.l. IP23



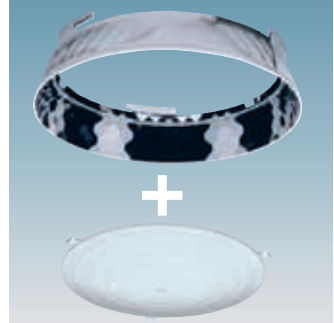
**Faceted ring**  
**91801**  
Low luminance "dark light" ring 65° (EN 12464). In metallic polycarbonate with prismatic faceting for greater light control.

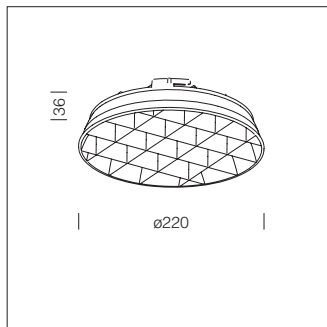


v.l. IP23

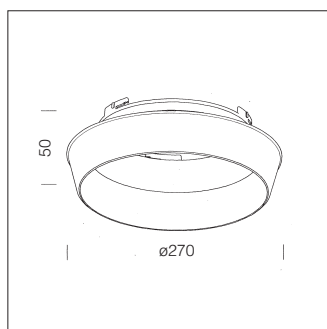
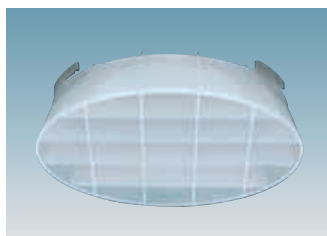
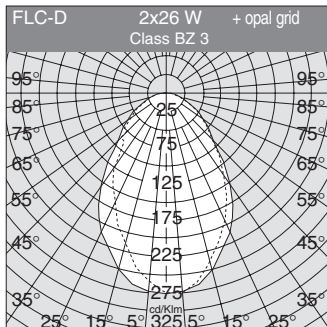


**Diffuser**  
transp. **91810**  
Baffle in transparent, self-extinguishing polycarbonate material with prismatic faceting and silking for greater glare control. To be bought with acc. 91801. Only FLC1x18D and FLC2x18D.

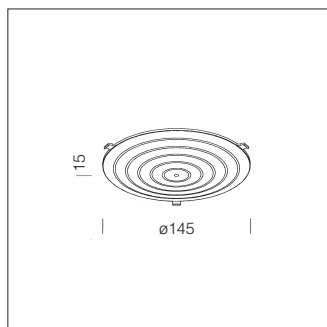
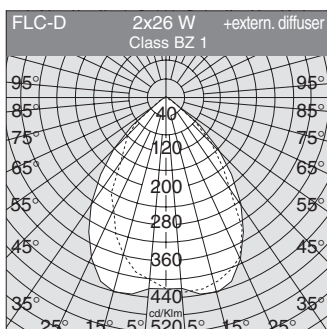




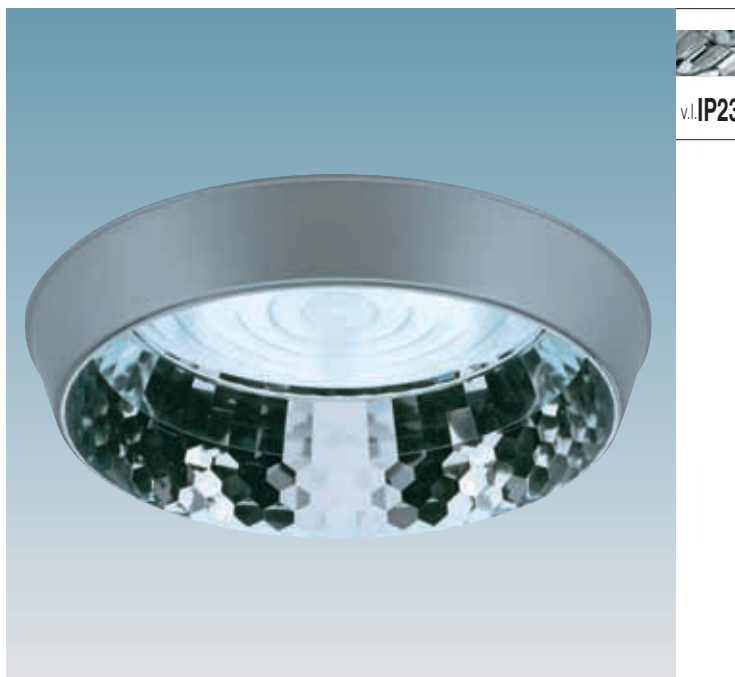
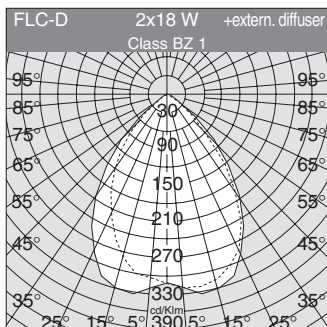
**Opal grid**  
 opal **91820**  
 Square grid in opal anti-glare polycarbonate.



**Facetted ring**  
**91805**  
 Low luminance "dark light" ring 65° (EN 12464).  
 In metallic polycarbonate with prismatic faceting for greater light control.



**Diffuser**  
 transp. **91810**  
 Baffle in transparent, self-extinguishing polycarbonate material with prismatic faceting and silking for great glare control.  
 To be bought with acc. 91805.  
 Only FLC1x18D and FLC2x18D.



RECESSED  
DOWN LIGHTS