



For optimal accent lighting and to illuminate objects or spaces it is necessary to create the appropriate contrasts and right atmospheres, to make a room a place for people to enjoy and to use their sight effortlessly. The new Joy series helps achieve all this.

**Housing:** High-temperature resistant techno-polymer.

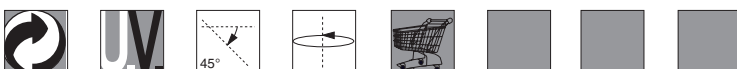
**Lampholder:** Ceramic with silver-plated contacts.

**Electric gear:** 230V/50Hz power supply in the low-voltage versions with electronic dimming transformer.

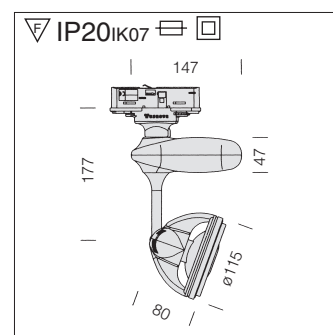
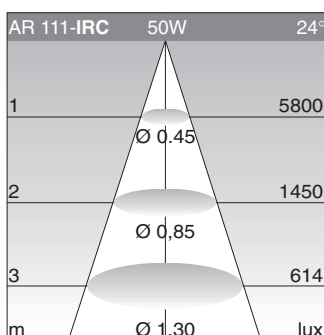
**Standard supply:** Supplied with adapter in track mounted versions.

**Regulations:** Manufactured in accordance with EN 60598-1-CEI 34.21 standards. Degree of protection in accordance with EN60529 standards.

**Lamps:** Supplied with AR111 mains-voltage lamps.



base	Watt	lamp	weight kg	colour	Code Fosnova
------	------	------	--------------	--------	-----------------

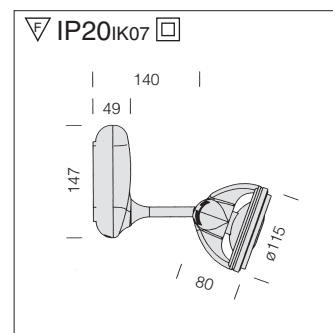
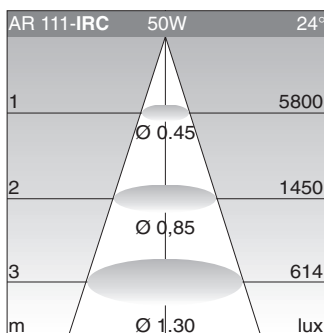


**Joy for 3 circuit track**

G53	50	AR111	0,6	white	<b>31716</b>
G53	50	AR111	0,6	black	<b>31736</b>
G53	50	AR111	0,6	m. silver	<b>31776</b>

**CTL-F**

Complete with **lamp and transformer**.

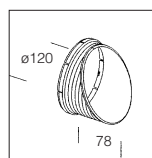
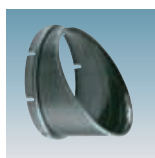


**Joy base**

G53	50	AR111	0,5	white	<b>41715</b>
G53	50	AR111	0,5	black	<b>41735</b>
G53	50	AR111	0,5	m. silver	<b>41775</b>

**CTL**

Complete with **lamp and electronic transformer**.



**Conveyor AR111**

white	<b>5313</b>
black	<b>5333</b>

To direct the light beam in one direction.

In exhibition areas, shops, and shop windows, the lighting system is vitally important. In creating an artificial light system, designers should never overlook the luminous effects that turn the items displayed or illuminated into three-dimensional objects to be viewed or purchased.

**Housing:** Die-cast aluminium with cooling fins.

**Reflector:** Asymmetric; high-performance hammered aluminium.

**Coating:** Power-coated with a UV-resistant polyester epoxy paint, applied after a phosphochromate treatment.

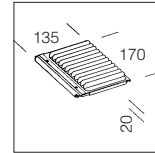
**Lampholder:** Ceramic with silver-plated contacts.

**Electric gear:** 230V/50Hz power supply, voltage operation.

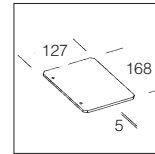
**Regulations:** Manufactured in accordance with EN 60598-1-CEI 34.21 standards. Degree of protection in accordance with EN60529 standards.

**Lamps:** Complete with lamps ALO.

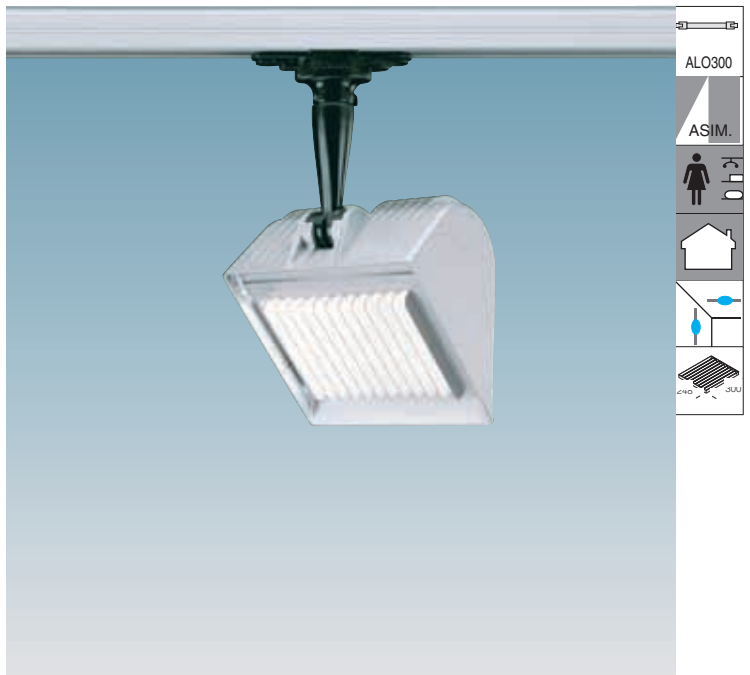
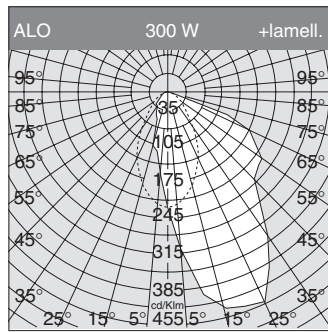
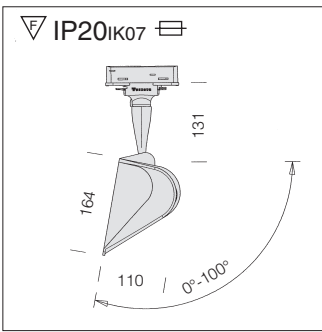
**Louvre**  
m. silver **91071**  
In steel. For glare reduction and light beam direction.



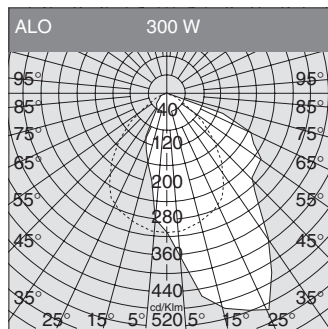
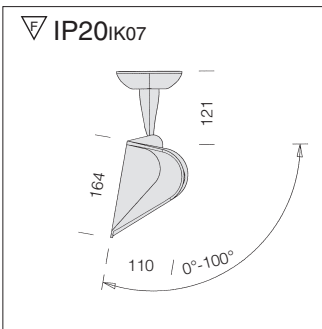
**Glass-spare part**  
TEMPERATED **91015**  
UV STOP **91019**  
The UV STOP filter is recommended for UV sensitive goods.



base	Watt	lamp	weight kg	colour	Code
					<b>Fosnova</b>



**Fix 2 track** **S-F**  
R7s 300 ALO 1,4 m. silver **37970**  
Complete with track adapter and protective glass front cover, without baffle louvre (to be ordered separately).



**Fix 2 base** **S**  
R7s 300 ALO 1,4 m. silver **47971**  
Complete with a protective glass front cover, without baffle louvre (to be ordered separately).