



Lighting of objects requires carefully balanced light/shadow and luminous effects, bringing to life the area to be illuminated. The new line of Kim2 spotlights, with its clean outline and modern design, is ideal when creating just the kind of contrast and ambience we have in mind.

**Housing:** High-temperature resistant techno-polymer.

**Lampholder:** Ceramic with silver-plated contacts.

**Electric gear:** 230V/50Hz power supply in the low-voltage versions with electronic dimming transformer.

**Standard supply:** Supplied with adapter in track mounted versions.

**Regulations:** Manufactured in accordance with EN 60598-1-CEI 34.21 standards. Degree of protection in accordance with EN60529 standards.

**Lamps:** Supplied with DICR or ALO mains-voltage lamps and LED.



ALO-ALU

**2900K**

**2000h**

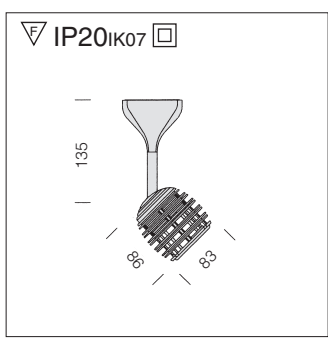
950lm

25°

FILTER

base	Watt	lamp	weight kg	colour	Code Fosnova
------	------	------	-----------	--------	--------------

	ALO	50 W	25°
1			1158
		Ø 0.44	
2			290
		Ø 1.89	
3			129
		Ø 1.33	
4			72
		Ø 1.77	
m			lux



Kim 2 base					S+L
GU10	50	ALO-ALU	0,3	white	<b>41210</b>
GU10	50	ALO-ALU	0,3	black	<b>41230</b>
GU10	50	ALO-ALU	0,3	m. silver	<b>41279</b>

Supplied with **230V lamps**, mains voltage operated without transformer.

ALU

**3000K**

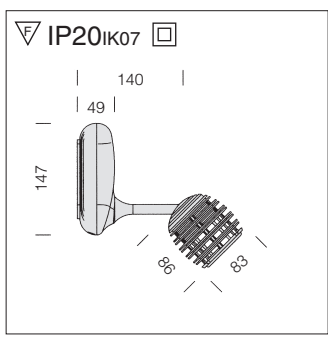
**3000h**

1800cd

38°

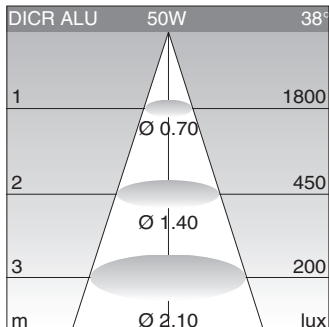
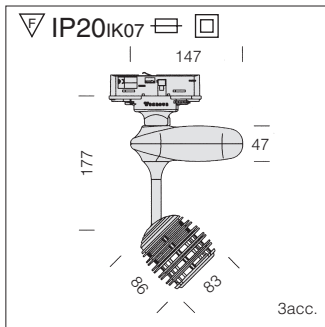
FILTER

	DICR ALU	50W	38°
1			1800
		Ø 0.70	
2			450
		Ø 1.40	
3			200
		Ø 2.10	
m			lux



Kim 2 base					CTL
GU5,3	50	ALU	0,4	white	<b>41310</b>
GU5,3	50	ALU	0,4	black	<b>41330</b>
GU5,3	50	ALU	0,4	m. silver	<b>41370</b>

Supplied with **lamp and 230/240V dimming transformer**.



**Kim 2 for 3-circuit track**

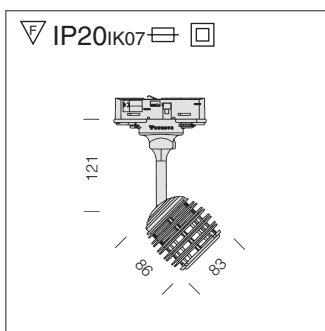
CTL-F

GU5,3	50	ALU	0,6	white	<b>31310</b>
GU5,3	50	ALU	0,6	black	<b>31330</b>
GU5,3	50	ALU	0,6	m. silver	<b>31370</b>

With lamp and dimming transformer.



ALU  
**3000K**  
**3000h**  
1800cd  
38°  
FILTER  
LED  
DIMMER



**Kim 2**

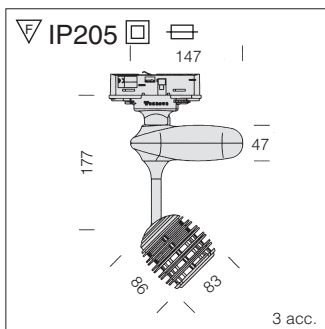
S+L-F

GU10	50	ALO-ALU	0,4	white	<b>31210</b>
GU10	50	ALO-ALU	0,4	black	<b>31230</b>
GU10	50	ALO-ALU	0,4	m. silver	<b>31270</b>

Complete with **230V lamps**, mains voltage operation, without transformer..



ALO-ALU  
**2900K**  
**2000h**  
950lm  
25°  
FILTER  
LED  
DIMMER



**Kim 2 - with LED 3 circuit track**

CTL-F

GU5,3		<b>LED white</b>	0,4	black	<b>31130</b>
GU5,3		<b>LED red</b>	0,4	black	<b>31132</b>
GU5,3		<b>LED blue</b>	0,4	black	<b>31138</b>
GU5,3		<b>LED green</b>	0,4	black	<b>31134</b>
GU5,3		<b>LED yellow</b>	0,4	black	<b>31135</b>

fig. 1

**Kim 2 POWERLED - beam 6°**

CELL-F

GU5,3	<b>3x1,4W</b>	<b>LED white</b>	0,4	black	<b>31030</b>
<b>Kim2 coloured POWERLED - beam 6°</b>					
GU5,3	<b>3x1,4W</b>	<b>LED blue</b>	0,4	black	<b>31030-71</b>
GU5,3	<b>3x1,2W</b>	<b>LED red</b>	0,4	black	<b>31030-72</b>
GU5,3	<b>3x1,2W</b>	<b>LED yellow</b>	0,4	black	<b>31030-73</b>
GU5,3	<b>3x1,4W</b>	<b>LED green</b>	0,4	black	<b>31030-74</b>

Complete with 3 LED module of 1,4W each one, beam angle 6°. fig. 2



**6000K 1**  
whi=11lm  
bl=21,5lm  
red=4,5lm  
yel=9lm  
gr=11,5lm  
**6000K 2**  
whi=135lm  
blue=48lm  
red=81lm  
yel=75lm  
gre=159lm  
powered  
**LED**