



Designing an artificial lighting project means facilitating one of man's most important functions: vision.

Housing: Pressed steel with cooling holes.

Reflector: High-performance hammered aluminium.

Coating: Fluid-coated with a humidity resistant, UV-stabilised acrylic-resin paint.

Lampholder: Ceramic with silver-plated contacts.

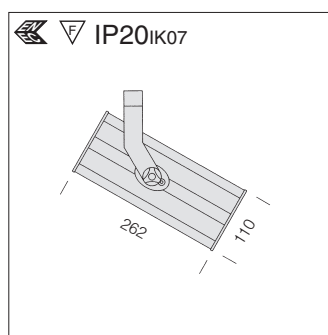
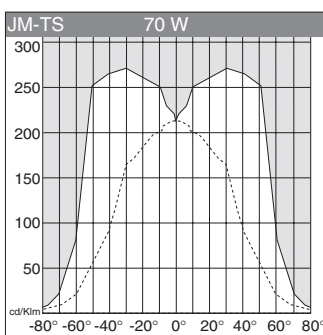
Electric gear: 230V/50Hz power supply with traditional or electronic ballast, with heat protection. Silicone wire with fibreglass braid, cross-section: 1.5 sqmm. 2P+T terminal block (maximum allowed lead cross-section: 2.5 sqmm).

Standard supply: Only supplied with an adjustable steel bracket for attaching the base or the track mounting adapter.

Regulations: Manufactured in accordance with EN 60598-1-CEI 34.21 standards. Degree of protection in accordance with EN60529 standards.

Lamps: Supplied with discharge lamps.

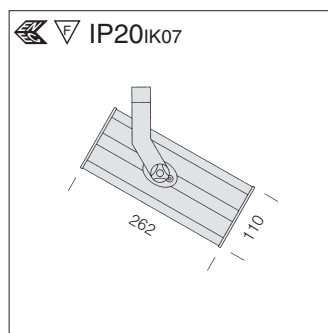
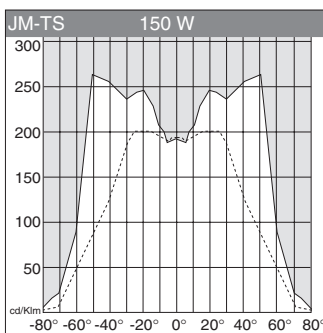
base	Watt	lamp	weight kg	colour	Code Fosnova
------	------	------	--------------	--------	-----------------



Trial-one JM-TS

					CNRL
RX7s	70	JM-TS	4,0	m. silver	346872
RX7s	70	JM-TS	4,0	white	346812
RX7s	70	JM-TS	4,0	black	346832

Version supplied with bracket only. Ceiling installation on track, together with acc. 25305/10/31 (for max 70 W); wall installation on track together with acc. 93315/71/34 or directly on the wall with base acc. 91410/30/70. With WDL lamp.



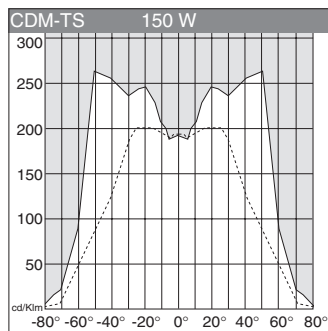
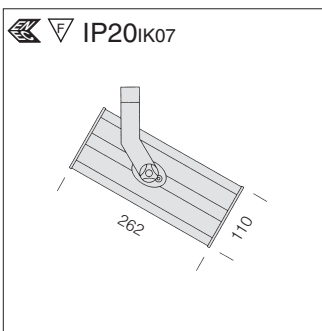
Trial-one JM-TS

					CNRL
RX7s	150	JM-TS	4,5	m. silver	346973
RX7s	150	JM-TS	4,5	white	346913
RX7s	150	JM-TS	4,5	black	346933

Version supplied with bracket only. Ceiling installation on track, together with acc. 25305/10/31 (for max 70 W); wall installation on track together with acc. 93315/71/34 or directly on the wall with base acc. 91410/30/70. With WDL lamp.



base	Watt	lamp	weight kg	colour	Code "Fosnova"
------	------	------	--------------	--------	-------------------

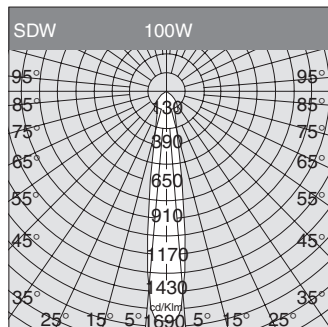
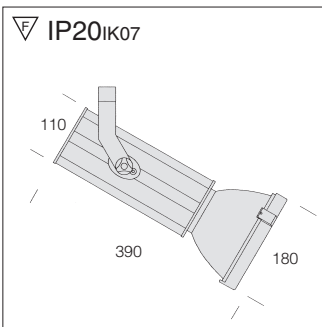


Trial-one MASTERCOLOUR

CNRL

RX7s	70	CDM-TS	4,0	m. silver	346872-85
RX7s	70	CDM-TS	4,0	white	346812-85
RX7s	70	CDM-TS	4,0	black	346832-85
RX7s	150	CDM-TS	4,5	m. silver	346973-85
RX7s	150	CDM-TS	4,5	white	346913-85
RX7s	150	CDM-TS	4,5	black	346933-85

Version supplied with bracket only. Ceiling installation on track, together with acc. 25305/10/31 (for max: 70W); wall installation on track together with acc. 93315/71/34 or directly on the wall with base acc. 91410/30/70. With WDL lamp.



Trial-one

CNRL

G12	150	CDM-T	4,5	white	347015
G12	150	CDM-T	4,5	black	347035
G12	150	CDM-T	4,5	m. silver	347075

CELL

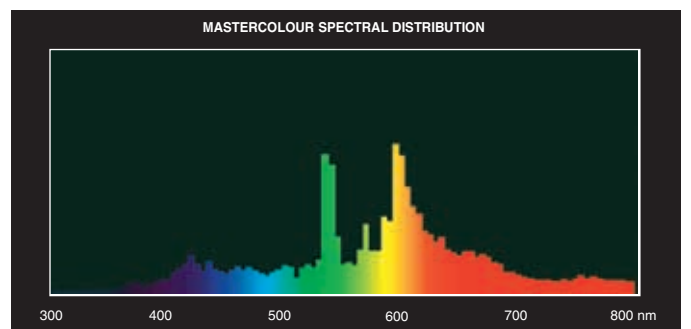
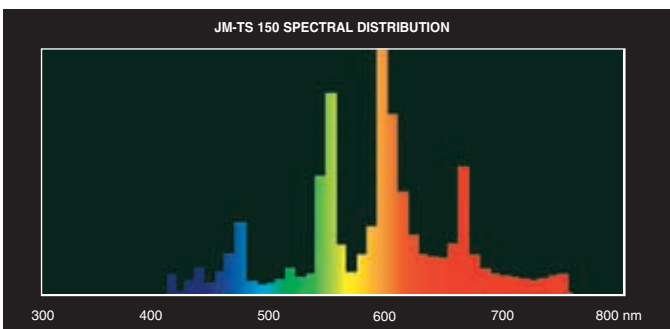
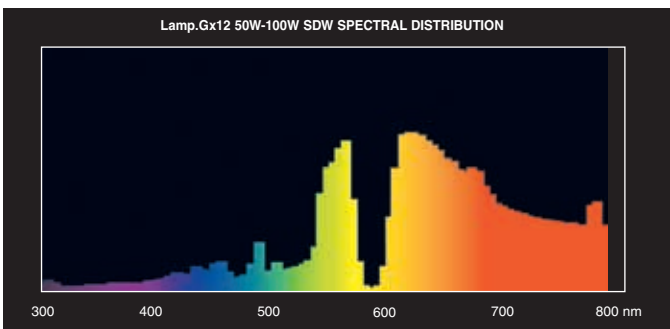
GX12-1	100	SDW	5,6	white	347216
GX12-1	100	SDW	5,6	black	347236
GX12-1	100	SDW	5,6	m. silver	347276

Version supplied with bracket only. Ceiling installation on track, together with acc. 25305/10/31 (for max: 70W); wall installation on track together with acc. 93315/71/34 or directly on the wall with base acc. 91410/30/70.

Euracom - Milan



For better balancing the Trial-one's housing mount the bracket opposite to normal.
 - use power adapter for max 70W versions.
 - use mechanical adapter for 70 to 150W versions



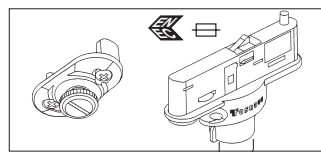
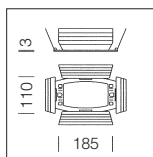


“Accessories for Trial-one”

Four-Sided Shutter

white	91314
black	91334
m. silver	91374

In steel. Used to direct the light beam.



Mechanical + Power Adapter

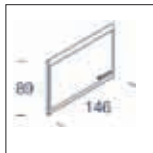
white	93315
grey	93371
black	93334

To be used for track installation.



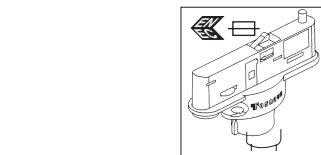
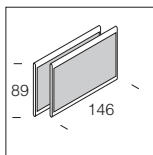
Glass-spacer part

U.V. STOP	94533
TEMP.	94417
SANDBLASTED	94477



Filter for fruit

5255
Ideal for enhancing goods displayed in shops or fruit and vegetable departments.



Power adapter

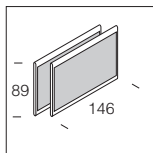
white	25305
grey	25310
black	25331
dark grey	25372

Universal adapter. To be used when the track is on the ceiling.



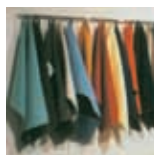
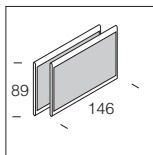
Filter for vegetables

5256
Ideal for enhancing goods displayed in shops or vegetable departments.



Filter for fabrics

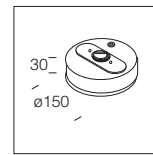
5258
Ideal for enhancing goods displayed in shops or in fabric departments.



Base

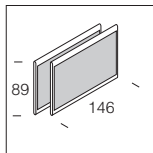
white	91410
black	91430
m. silver	91470

Base for wall or ceiling installation.



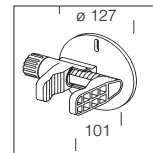
Filter for bakery

5253
Ideal for enhancing goods displayed in bakeries.



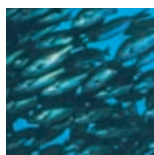
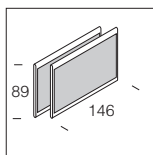
Clamp

black **91438**
In fiberglass nylon. For provisional application on a wide number of surfaces.



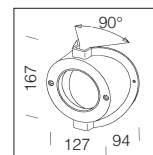
Filter for fishmonger

5254
Ideal for enhancing goods displayed in fishmonger or seafood departments.



Angle support

black **91435**
In fiberglass nylon. For application on a surface with external angle with fixing bracket.



Filter for butcher's shops

5257
Ideal for enhancing goods displayed in butcher's shops.

