



More and more frequently, setting up exhibition areas involves an accurate selection of light, colour, equipment. The settings, colours and positions of displayed products may vary, but the lighting system is hardly ever adapted to every single change.

Housing: Die-cast aluminium with wide cooling fins.

Reflector: Polished anodised aluminium.

Coating: Power-coated with a UV-resistant polyester epoxy paint.

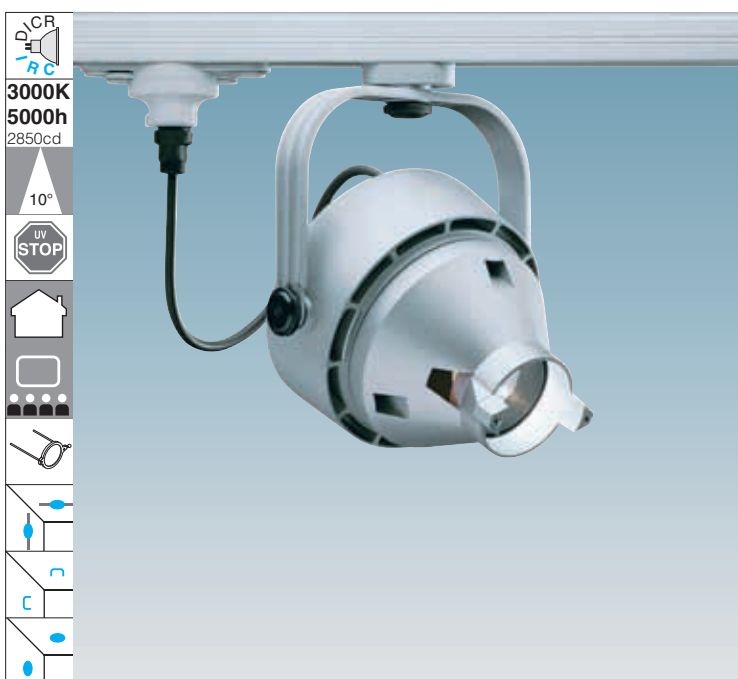
Lampholder: Ceramic with silver-plated contacts.

Electric gear: Transformer or traditional ballast with heat protection.

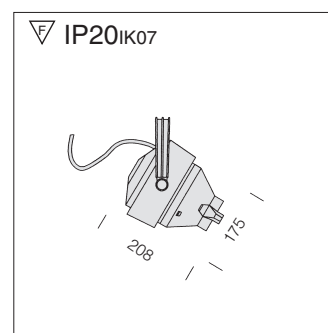
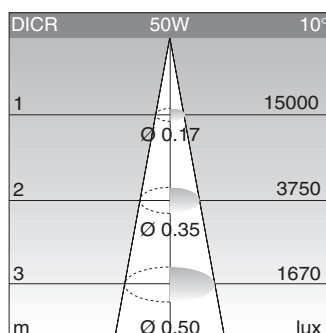
Standard supply: Only supplied with an aluminium bracket for attaching the base or the track mounting adapter.

Regulations: Manufactured in accordance with EN 60598-1-CEI 34.21 standards. Degree of protection in accordance with EN60529 standards.

Lamps: Supplied with DICR, AR111 or discharge lamps.



base	Watt	lamp	weight kg	colour	Code ifosnova
------	------	------	--------------	--------	------------------

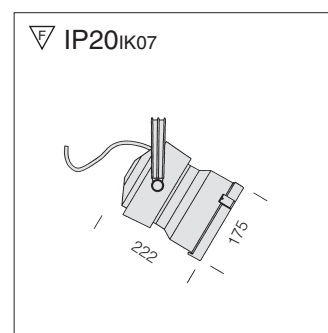
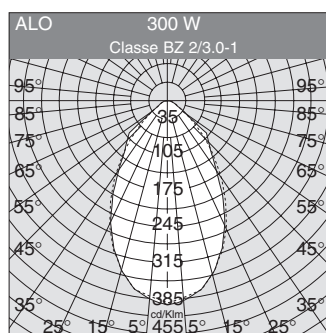
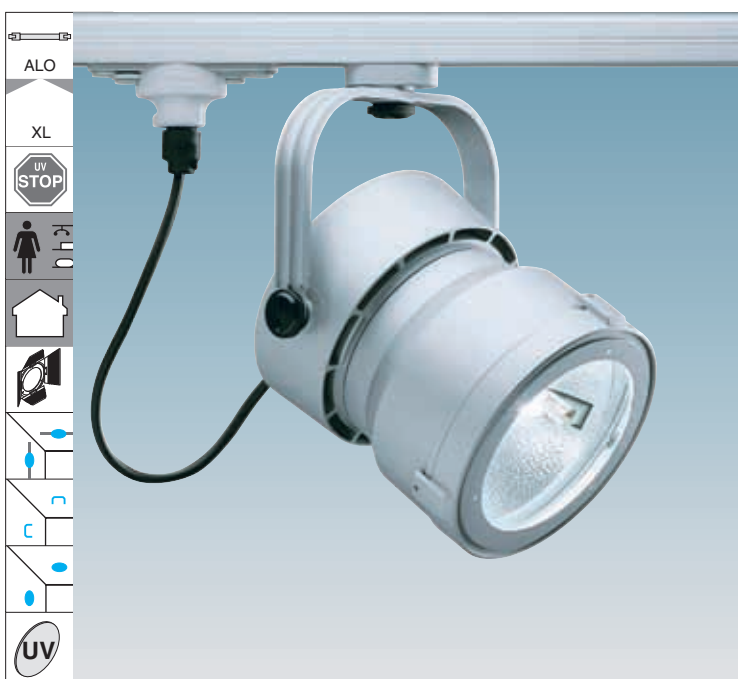


Gotham DICR-IRC **CTL**
 GU5.3 50 DICR-IRC 2,7 m. silver **260171**
 Version supplied with bracket and power cable only. To be used with power adapter plus mechanical connection acc. 93371/93315/93334 for track mounting.

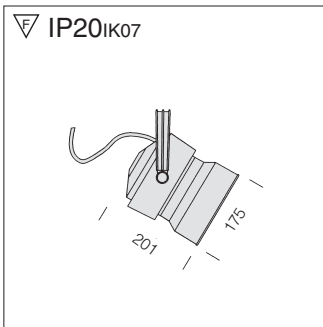
TO HELP YOU IN YOUR CHOICE...

With lamps:
 DICR-IRC power saving lamps provide a luminous efficiency 30% higher than conventional DICR lamps; therefore: more light, lower consumption.

ENERGY SAVING



Gotham ALO **S**
 R7s 300 ALO 2,5 m. silver **260079**
 Front tempered glass. Version supplied with bracket and power cable only. To be used with power adapter plus mechanical connection acc. 93371/93315/93334 for track mounting.



AR111 -RC
TO HELP YOU IN YOUR CHOICE...

With lamps:
 AR111-IRC power saving lamps provide a luminous efficiency 30% higher than conventional AR111 lamps; therefore: more light, lower consumption.
ENERGY SAVING

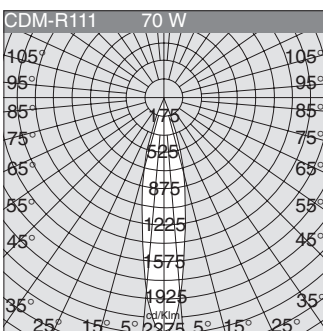
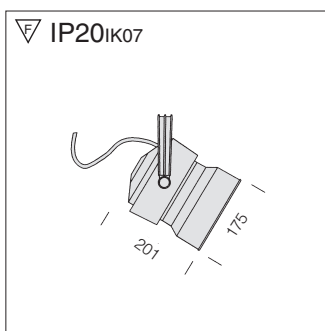


AR111 -RC
3000K
4000h
 5800cd
 8°
 UV STOP
 Interior lighting icons

Gotham AR111-IRC

CNRL

G53 65 AR111-IRC 3,0 m. silver **260378**
 To be used with power adapter plus mechanical connection acc. 93371/93315/93334 for track mounting.

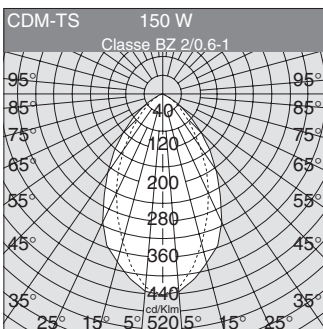
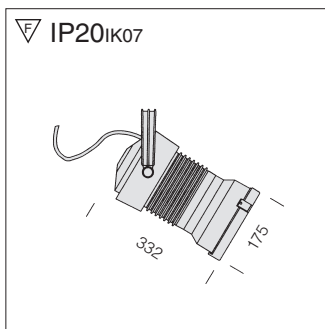


CDM-R
3000K
Ra=1b
 15000cd
 UV STOP
35 W = 24°
70 W = 42°
 Interior lighting icons

Gotham CDM-R111

CELL

GX8,5 35 CDM-R111 3,0 m. silver **260471**
 GX8,5 70 CDM-R111 3,0 m. silver **260478**
 To be used with power adapter plus mechanical connection acc. 93371/93315/93334 for track mounting.



CDM-TS
3000K
Ra=1b
 70W= 6600lm
 150W= 14000lm
 XL
 UV STOP
 Interior lighting icons

Gotham CDM-TS

CNRL

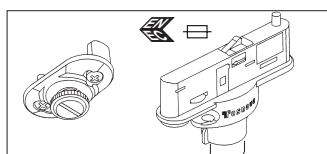
RX7s 70 CDM-TS 5,1 m. silver **260473**
 RX7s 150 CDM-TS 6,0 m. silver **260477**
 Protective glass. Version supplied with bracket and power cable only. To be used with power adapter plus acc. 93371/93315/93334 for track mounting.



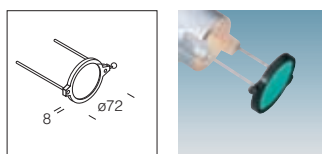
On request:
Track version with "balanced" housing position to optimise weight and the product appearance.



On request:
Wall version with direct/ indirect light bracket, possibility of using ALO, AR111 and JM-TS lamps.



Mechanical + Power Adapter
grey **93371**
To be used for track installation.



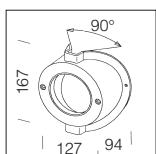
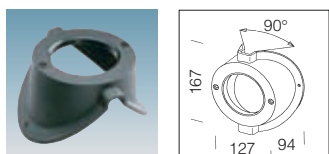
Coloured Glass	
red	5926
green	5947
yellow	5951
blue	5982

For DICR lamp.

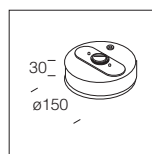
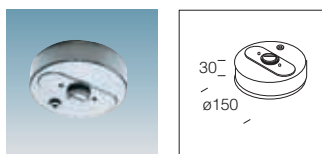


Coloured Glass Ø mm 131	
yellow	5248
red	5250
green	5249
blue	5246

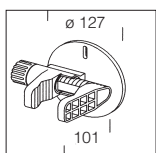
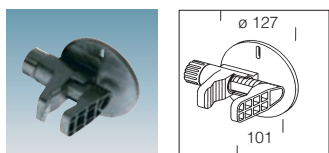
For ALO.



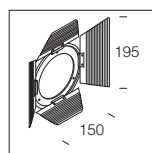
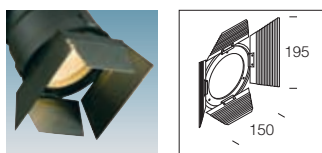
Angle support
black **91435**
In fiberglass nylon. For application on a surface with external angle with fixing bracket.



Base
m. silver **91470**
Base for wall or ceiling installation.



Clamp
black **91438**
In fiber glass nylon. For provisional application a wide number of surfaces.



Anti-glare shutter Ømm 150
black **5230**
In steel used to direct the light beam. For ALO, JM-TS

Housing: Complete with extruded aluminium with ends in die-cast aluminium, optic housing and box are thermally separated.

Reflector: In hammered aluminium for higher performance and better light control.

Diffuser: Tempered matt glass.

Coating: fluid-coated based upon melaninic resin, UV stabilized.

Electric gear: Supplied at 230V/50Hz with traditional or electronic ballast, thermally protected. Silicone wire sec. 1,5mm² with fibreglass. 2P+T terminal block (max allowed lead cross-section: 2,5mm²).

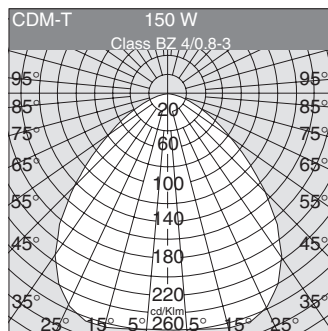
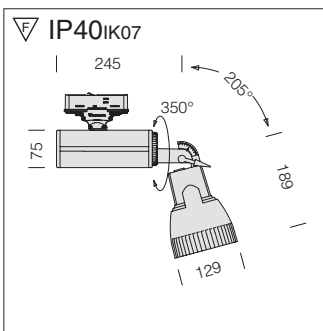
Regulations: Manufactured in accordance with EN 60598-1-CEI 34.21, posses the degree of protection according to EN 60529.

Lamps: Supplied with Mastercolour lamps.

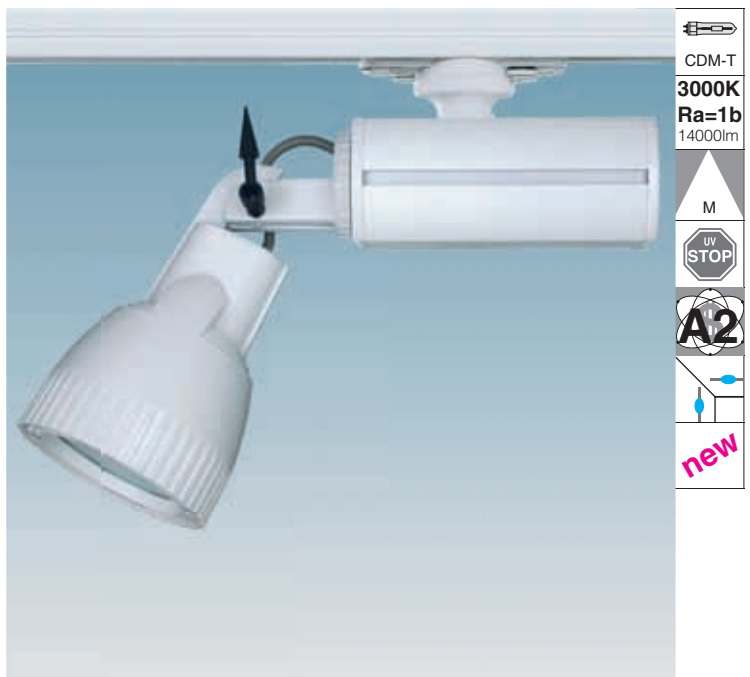


INTERIOR FLOODLIGHTS

base	Watt	lamp	weight kg	colour	Code ifosnova
------	------	------	--------------	--------	------------------



Epik - electronic					CELL
G12	150	CDM-T	3.5	white	243115
G12	150	CDM-T	3.5	m. silver	243175



CDM-T
3000K
Ra=1b
 14000lm
 M
 UV STOP
 A2
 new

Anti-glare shutter

black **5276**
 In steel. Permits to shield the light beam.

