

Factory Outlet - Greece



If seeing requires light, then a prerequisite for correct vision is the quality of light. This is the idea underlying the creation of Daryl: a fixture designed to address the need for different light emissions, combining appearance and technical design.

Housing: Die-cast aluminium with wide cooling fins.

Reflector: Polished anodised aluminium.

Coating: Power-coated with a UV-resistant polyester epoxy paint.

Lampholder: Ceramic with silver-plated contacts.

Electric gear: Transformer or traditional ballast with heat protection.

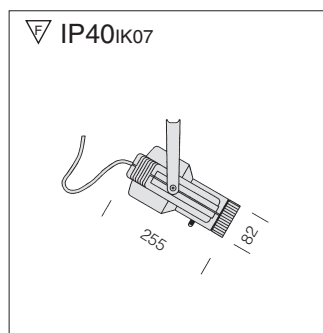
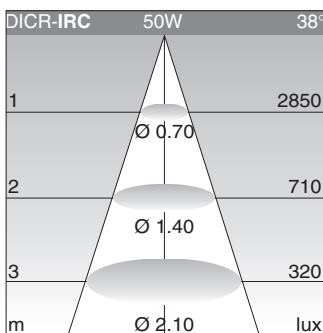
Standard supply: Only supplied with an aluminium bracket for attaching the base or the track mounting adapter.

Regulations: Manufactured in accordance with EN 60598-1-CEI 34.21 standards. Degree of protection in accordance with EN60529 standards.

Lamps: Supplied with DICR, AR111, IRC or discharge lamps.



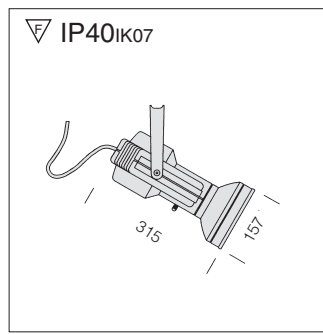
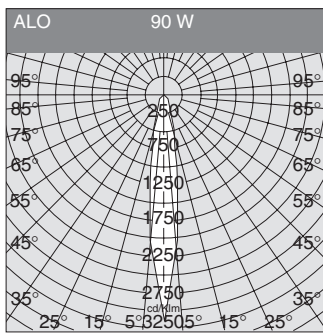
base	Watt	lamp	weight kg	colour	Code
------	------	------	--------------	--------	------



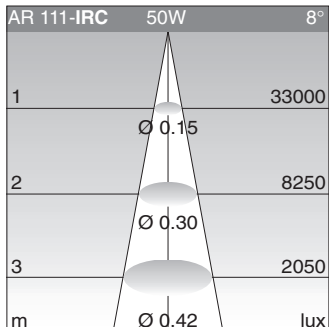
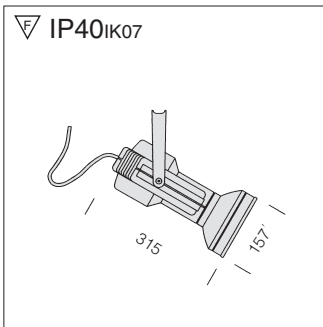
Daryl DICR-IRC **CELL**
 GU5,3 50 DICR-IRC 3,3 m. silver **250276**
 Version supplied with bracket and power cable only. To be used with acc. 93371/93315/93334 for track mounting.

TO HELP YOU IN YOUR CHOICE...

With lamps:
 DICR-IRC power saving lamps provide a luminous efficiency 30% higher than conventional DICR lamps; therefore: more light, lower consumption.
 Energy saving



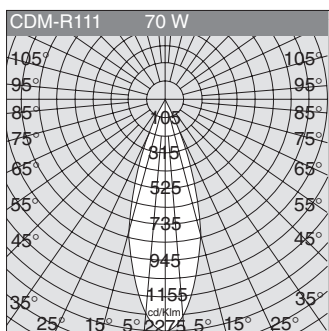
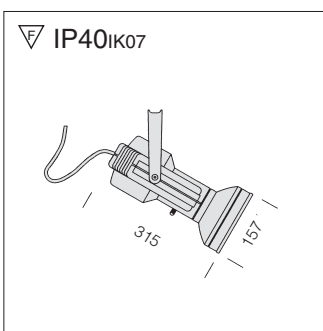
Daryl ALO **CTL**
 GY6,35 90 ALO 3,8 m. silver **250479**
 Version supplied with bracket and power cable only. To be used with acc. 93371/93315/93334 for track mounting.



Daryl AR111-IRC

CTL

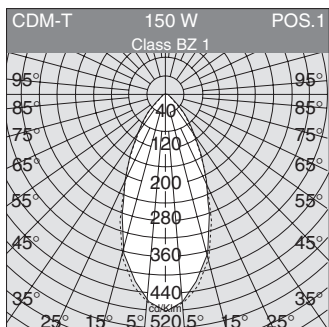
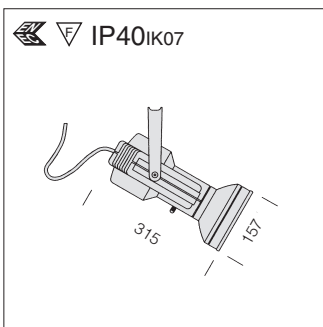
G53 65 AR111-IRC 3,7 m. silver **250378**
 Version supplied with bracket and electric cable only. To be used with acc. 93371/93315/93334 for track mounted applications.
 Complete with IRC lamp = energy saving.



Daryl CDM-R111

CELL

GX8,5 70 CDM-R111 3,7 m. silver **250077**
 Version supplied with bracket and electric cable only. To be used with acc. 93371/93315/93334 for track mounted applications.



Daryl CDM-T

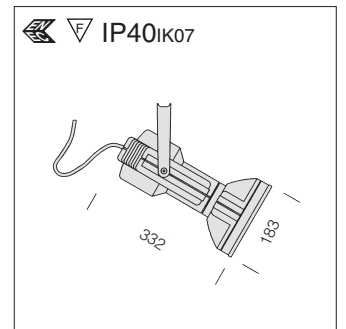
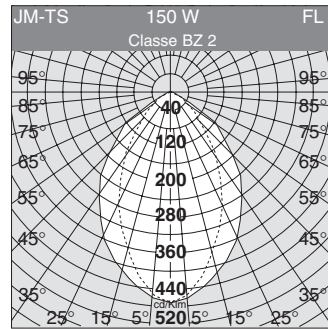
CNRL

G12 70 CDM-T 4,0 m. silver **250071**
 G12 150 CDM-T 4,9 m. silver **250075**
 Protective glass front cover. Version supplied with bracket and power cable only. To be used with acc. 93371/93315/93334 for track mounting.

INTERIOR FLOODLIGHTS



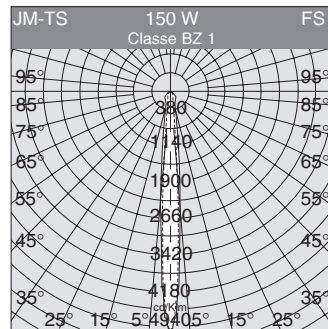
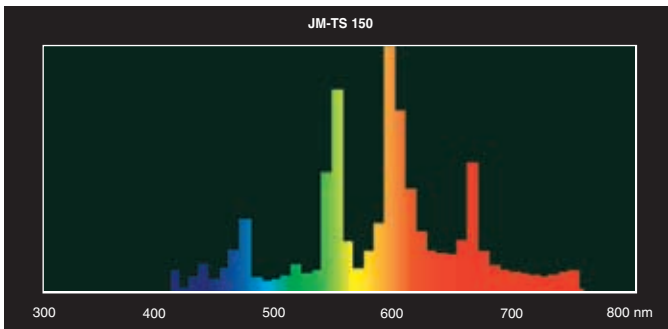
base	Watt	lamp	weight kg	colour	Code
------	------	------	--------------	--------	------



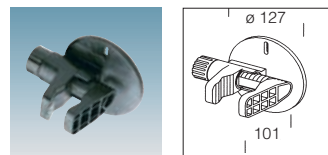
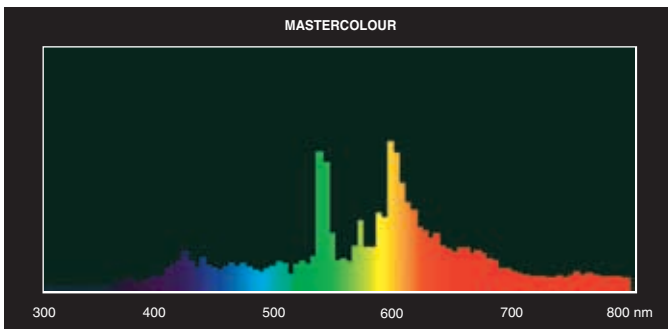
Daryl - ts

					CNRL
RX7s	70	JM-TS	4,3	m. silver	250173
RX7s	70	CDM-TS	4,3	m. silver	250173-85
RX7s	150	JM-TS	5,3	m. silver	250177
RX7s	150	CDM-TS	5,3	m. silver	250177-85

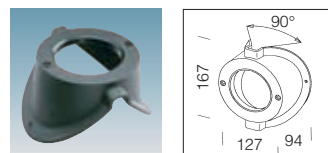
Protective glass front cover. Version supplied with bracket and power cable only. To be used with acc. 93371/93315/93334 for track mounting.



On request: narrow beam version.



Clamp
black **91438**
In fiberglass nylon. For provisional application on a wide number of surfaces.



Angle support
black **91435**
In fiberglass nylon. For application on a surface with external angle with fixing bracket.

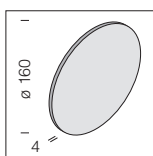


Optic accessories for Daryl

Filter for fruits

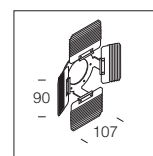
5260

Ideal for enhancing goods displayed in shops or fruit and vegetable departments. For JM-TS, CDM-TS.



Anti-glare shutter Ø mm 82

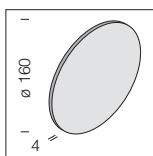
5229
black
In steel. Used to shield the light beam. For DICR, ALO.



Filter for vegetables

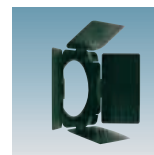
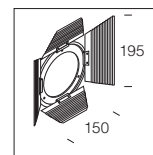
5261

Ideal for enhancing goods displayed in shops or vegetable departments. For JM-TS, CDM-TS.



Anti-glare shutter Ø mm 150

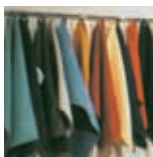
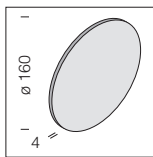
5230
black
In steel. Used to shield the light beam. For AR111, JMT.



Filter for fabrics

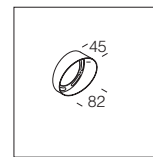
5245

Ideal for enhancing goods displayed in shops or in fabric departments. For JM-TS, CDM-TS.



Conveyor Ø mm 82

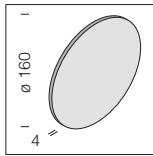
5277
m. silver
To convey the light beam in one direction. For DICR, ALO.



Filter for bakery

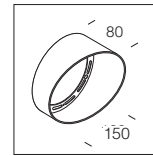
5262

Ideal for enhancing goods displayed in bakery shop. For JM-TS, CDM-TS.



Conveyor Ø mm 150

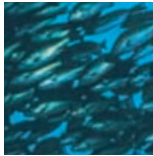
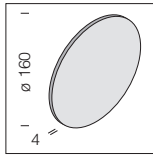
5231
black
5278
m. silver
To convey the light beam in one direction. For ALO, JMT.



Filter for fishmonger

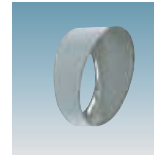
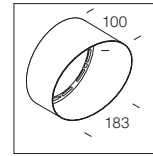
5263

Ideal for enhancing goods displayed in fishmonger or seafood departments. For JM-TS.



Conveyor Ø mm 183

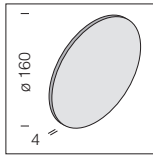
5330
black
5370
m. silver
In steel. To convey the light beam in one direction. For ALO 300, JM-TS.



Filter for butcher's shop

5264

Ideal for enhancing goods displayed in butcher's shops or departments. For JM-TS, CDM-TS.



UV Filter Glass

Ø 160 JM-TS **5335**

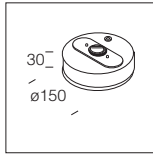
Clear Glass

Ø 160 JM-TS **5334**



Base

m. silver **91470**
Base for wall or ceiling installation.



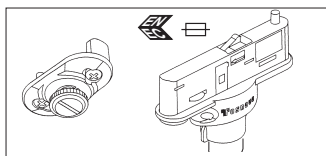
Coloured Glass Ø mm 131

yellow **5248**
red **5250**
green **5249**
blue **5246**
For ALO, JMT, AR 111.



Mechanical + Power Adapter

grey **93371**
To be used for track installation. Maximum load: 20 kg.



Coloured Glass Ø mm 160

yellow **5338**
red **5340**
green **5339**
blue **5336**
For JM-TS, ALO.

