

Civilization Museum - Rome



This small-size floodlight was designed to offer high-class appearance and at the same time very specific functional characteristics. It swivels around its support, so that it can be positioned at any desired angle. It is equipped with specific accessories for special uses.

**Housing:** Die-cast aluminium, with fins for effective heat management. Can be fitted with 3 spacer bars to support the accessories: micro-perforated, ventilated transformer compartment.

**Coating:** Fluid-coated with a humidity resistant, UV-stabilised acrylic-resin paint.

**Lampholder:** Ceramic with silver-plated contacts.

**Electric gear:** Electronic transformer with heat protection.

**Standard supply:** Versions equipped with aluminium brackets and base, or power adapter for track mounting.



3000K  
5000h  
4400cd

24°

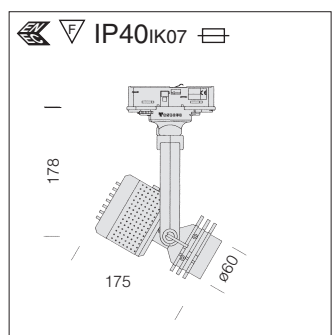
UV STOP

6000K  
whi=135lm  
blue=48lm  
red=81lm  
yel=75lm  
gre=159lm

LED

base	Watt	lamp	weight kg	colour	Code Fosnova
------	------	------	--------------	--------	-----------------

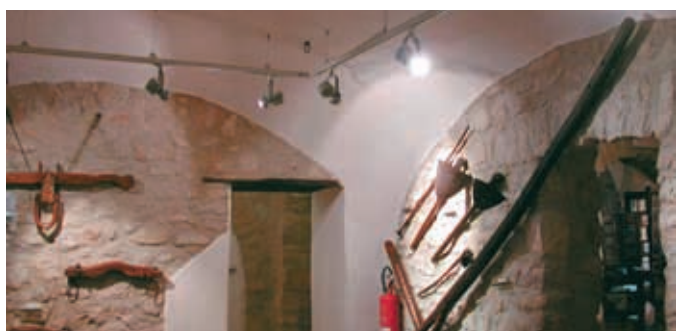
DICR-IRC	35 W	24°
1		4400
2		1100
3		490
m		lux



Krypton					CTL-F
GU5,3	35	DICR-IRC	0.9	m. silver	37171

Krypton POWERLED - beam 6°					CELL-F
GU5,3	3x1,4W	LED white	0.9	m. silver	37173
<b>Krypton coloured POWERLED - beam 6°</b>					<b>CELL-F</b>
GU5,3	3x1,4W	LED blue	0.9	m. silver	37173-71
GU5,3	3x1,2W	LED red	0.9	m. silver	37173-72
GU5,3	3x1,2W	LED yellow	0.9	m. silver	37173-73
GU5,3	3x1,4W	LED green	0.9	m. silver	37173-74


Complete with 3 LED module of 1,4W each one, beam angle: 6°.



**Regulations:** Manufactured in accordance with EN 60598-1-CEI 34.21 standards. Degree of protection in accordance with EN60529 standards.

**Lamps:** Supplied with DICR- IRC lamps and LED.

**TO MAKE YOUR CHOICE EASIER...**  
**With lamps:**



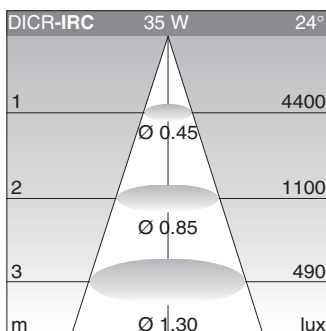
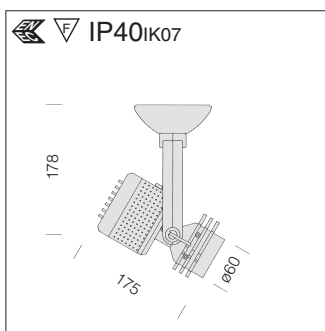
DICR-IRC power saving lamps provide a luminous efficiency 30% higher than conventional DICR lamps; therefore: more light, lower consumption

ENERGY SAVER



INTERIOR FLOODLIGHTS

base	Watt	lamp	weight kg	colour	Code Fosnova
------	------	------	-----------	--------	--------------



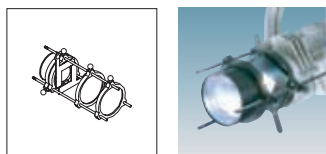
DICR-IRC	3000K
	5000h
	4400cd
	24°
	UV STOP
	6000K
	whi=135lm
	blue=48lm
	red=81lm
	yel=75lm
	gre=159lm
	LED

Krypton base					CTL
GU5,3	35	DICR-IRC	1.2	m. silver	43072

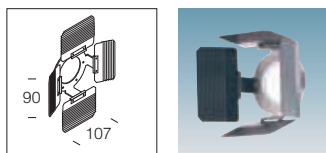
Krypton POWERLED - beam 6°					CELL
GU5,3	3x1,4W	LED white	1.2	m. silver	43073
Krypton coloured POWERLED - beam 6°					CELL
GU5,3	3x1,4W	LED blue	1.2	m. silver	43073-71
GU5,3	3x1,2W	LED red	1.2	m. silver	43073-72
GU5,3	3x1,2W	LED yellow	1.2	m. silver	43073-73
GU5,3	3x1,4W	LED green	1.2	m. silver	43073-74

Complete with 3 LED module of 1,4W each one, beam angle: 6°.

**Shaper**  
 black **5227**  
 The additional image projection kit has manual focus adjustment and a zoom which also provides an image-shaping function.



**Anti-glare Baffle**  
 black **5228**  
 In steel. Used to direct the light beam.



**Coloured Glass**  
 red **5826**  
 green **5847**  
 yellow **5851**  
 blue **5882**  
 Dichroic treatment colour glass.

