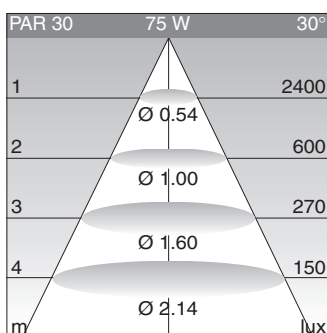
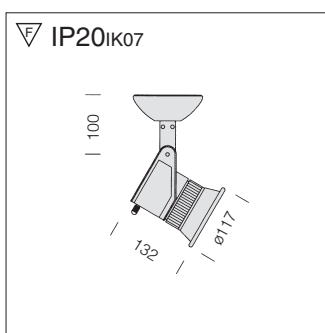
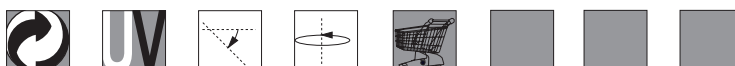




Circolo della Stampa, Serbelloni Palace- Milan

base	Watt	lamp	weight kg	colour	Code Fosnova
------	------	------	--------------	--------	-----------------



Cast "A"

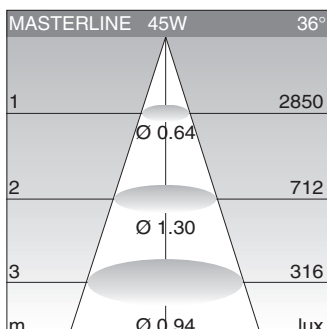
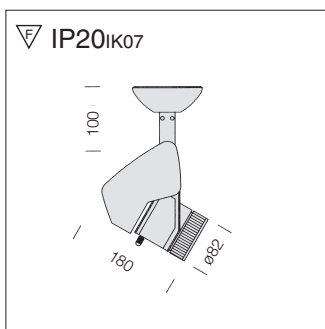
CNL

E27	75	PAR30	1,2	white	400115
E27	75	PAR30	1,2	m. silver	400175

Version complete with PAR lamp, mains voltage operation.
With base for installation.



- PAR30
- 3000K
- 2000h
- 1750cd
- 30°
- UV STOP
- Home icon
- Person icon
- Lighting icon



Cast "A+B"

CTL

GU5.3	45	DICR	1,2	white	400214
GU5.3	45	DICR	1,2	m. silver	400274

Version with transformer built into the housing, complete with lamp.
With base for installation.
Smaller consumption of 30% and greater duration (4000 hours).



- DICR
- 3150K
- 3350cd
- Ra=100
- 24°
- UV STOP
- Home icon
- Person icon
- Lighting icon
- Lighting icon
- Lighting icon