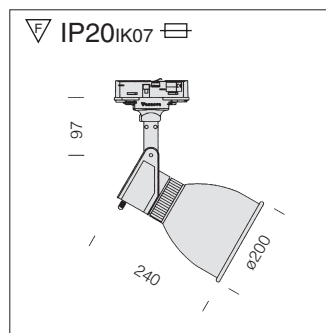
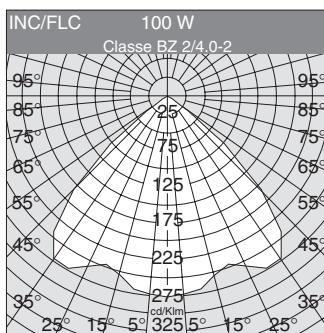




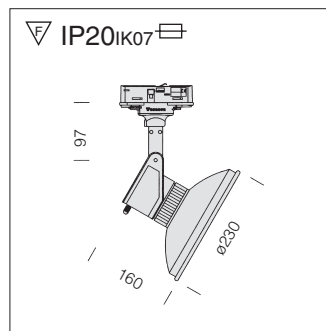
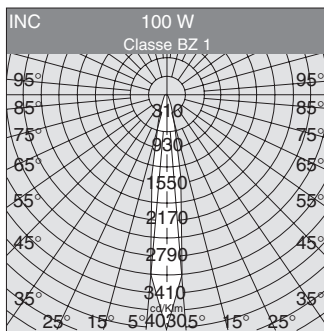
base	Watt	lamp	weight kg	colour	Code Fosnova
------	------	------	--------------	--------	-----------------



Cast "A+E"

					S
E27	100/20	INC/FLC	1.0	white	500513
E27	100/20	INC/FLC	1.0	m. silver	500572

Standard version with anodized aluminium reflector. Especially designed for compact fluorescent electronic lamps. Adjustable focus: pos. 1 wide beam - pos. 2 medium beam.



Cast "A+F"

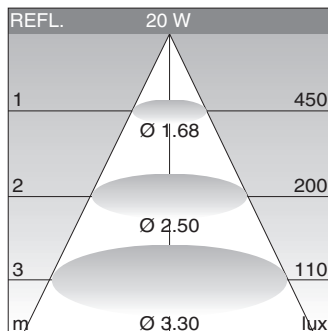
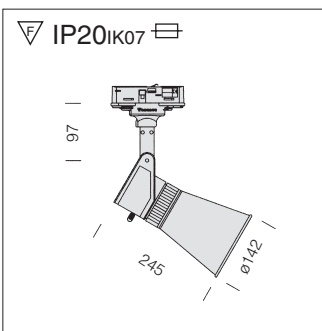
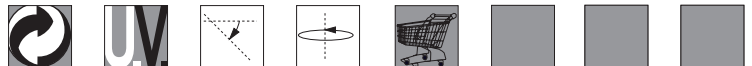
					S
E27	100	INC	0.9	white	500610
E27	100	INC	0.9	m. silver	500671

Standard version with anodized aluminium reflector. For silver cup lamps. Adjustable focus: pos. 1 medium beam - pos. 2 narrow beam.



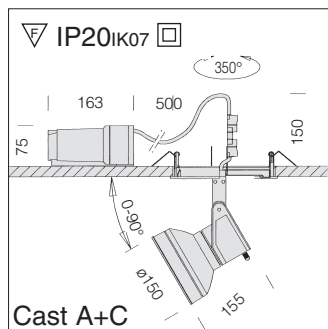
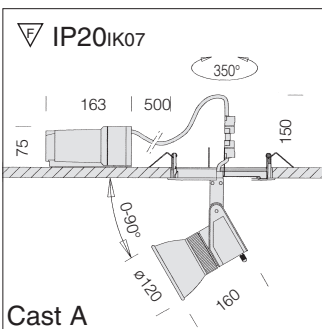
Mezzanotte Palace - Milan

base	Watt	lamp	weight kg	colour	Code Fosnova
------	------	------	--------------	--------	-----------------



Cast "A+H"					S
E27	20	D-EL-R	0,8	white	500710
E27	20	D-EL-R	0,8	m. silver	500779

Standard version with lamp cover in painted aluminium. Lamp and reflector are perfectly integrated, with optimised lighting features.



Cast "A"					CNRL
E27	35	CDM-R	1,0	m. silver	401070

The lamp is Mastercolour but as PAR30 in shape.

Cast "A+C"					CNRL
G12	150	CDM-T	1,2	m. silver	401075

