



Gi Otto with "swivelling" fixed central base for wall or ceiling installations. Perfect for lighting particular ambiances. Various light source options available, with different types of beams.

Track-mounted adjustable-angle GiOtto with Omnitrack adapter

Housing: Die-cast zamak, with adjustable-angle bows and lamp-holders.

Coating: Fluid-coated with a UV-stabilised acrylic-resin paint.

Lampholder: Ceramic with silver-plated contacts.

Electronic gear: Supplied with dimming transformer. Flexible wire. 2P+T terminal block (maximum allowed lead cross-section: 2.5mm²).

Regulations: Manufactured articles possess the degree of protection in accordance with EN60529 standards.

Lamps: Supplied with DICR-IRC 35-24°/50-38° and AR111-IRC 35/50W-24° lamps. Range of light sources, powers and light beams to select from. A different lamp can be requested by specifying the desired item.



base	Watt	lamp	weight kg	colour	Code Fosnova
------	------	------	--------------	--------	-----------------

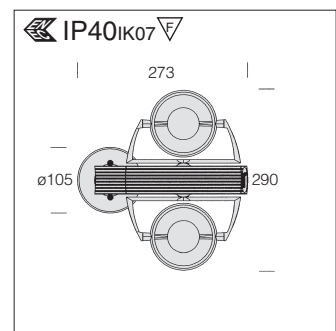
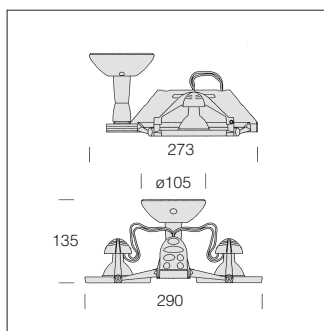
3000K
5000h
35W=2200cd
50W=2850cd

38°

UV STOP

?

FILTER



Gi Otto 2xdicr					CTL
GU5,3	2x35	DICR-IRC	2.1	m. silver	74076
GU5,3	2x50	DICR-IRC	2.1	m. silver	74070

3000K
4000h
35W=4500cd
50W=5800cd

AR111

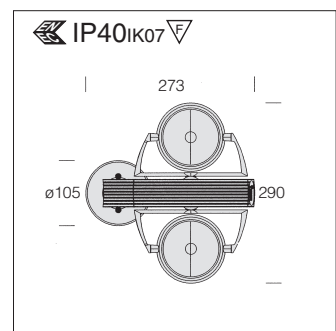
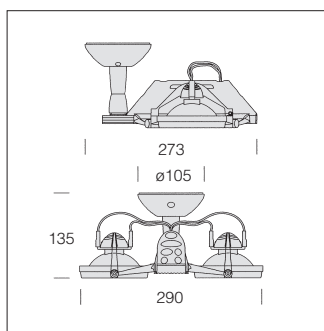
3000K
3000h
75W=5300cd

24°

UV STOP

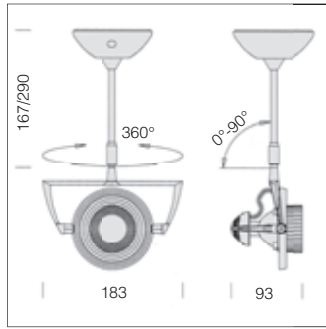
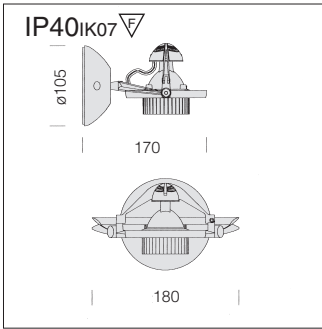
?

FILTER



Gi Otto 2xar111					CTL
G53	2x35	AR111-IRC	2.2	m. silver	74077
G53	2x50	AR111-IRC	2.2	m. silver	74071

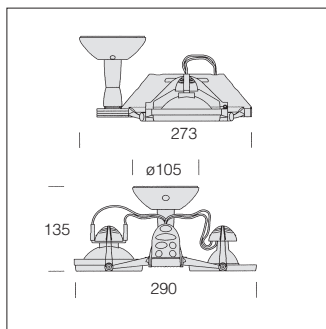
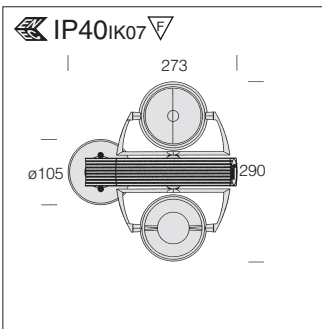
					CTL
G53	2x75	AR111	2.2	m. silver	74073



Gi Otto **CTL**
 G53 50 AR111-IRC 0,5 m. silver short **74082**
 Supplied with a conveyor. (Fig. 1)

Gi Otto **S+L**
 GU10 50 ALU 50 0,5 m. silver short **74078**
 GU10 50 ALU 50 0,5 m. silver medium **74074**
 GU10 50 ALU 50 0,5 m. silver long **74079**

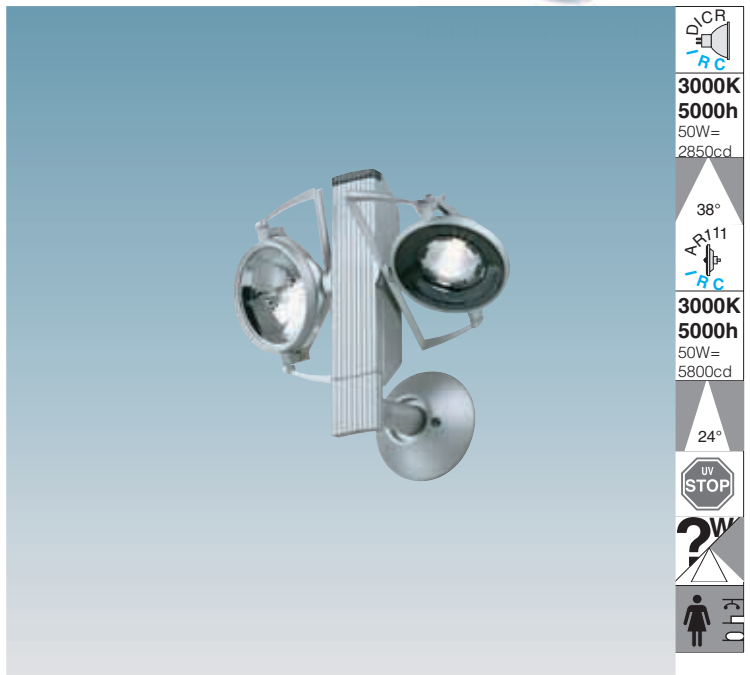
Gi Otto POWERLED - beam 10° - 230 V **S+L**
 GU10 **2,5W LED white** 0,5 m. silver short **74080**
 GU10 **2,5W LED white** 0,5 m. silver medium **74081**
 Supplied with a LED module of 2,5W, beam angle 10°. (fig 3)



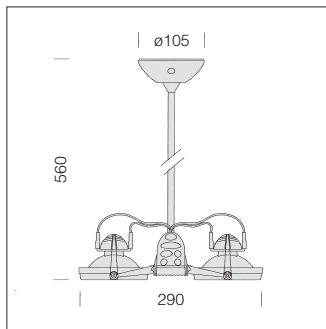
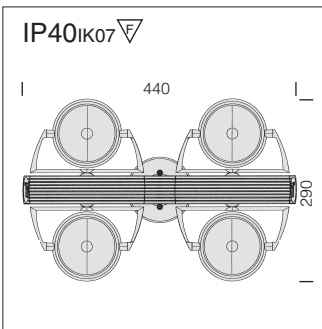
Gi Otto 1dicr+1ar111 **CTL**
 GU5,3 50 DICR-IRC
 G53 50 AR111-IRC 2.2 m. silver **74072**



AR111
 3000K
 5000h
 5800cd
 ALU
 3000K
 3000h
 1800cd
 M
 5000K
 120lm
 LED



DICR
 3000K
 5000h
 50W=
 2850cd
 38°
 AR111
 3000K
 5000h
 50W=
 5800cd
 24°
 UV STOP
 ?W
 K10



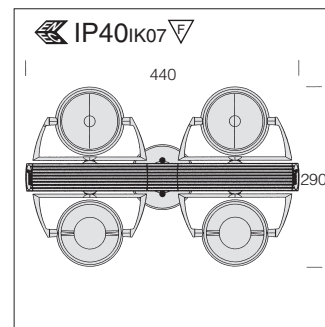
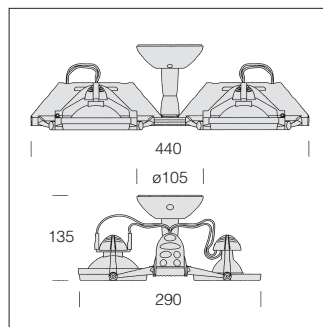
Gi Otto 4xar111 - long rods **CTL**
 G53 4x50 AR111-IRC 2.2 m. silver **74075**
 Ideal for high ceilings or above conference tables.



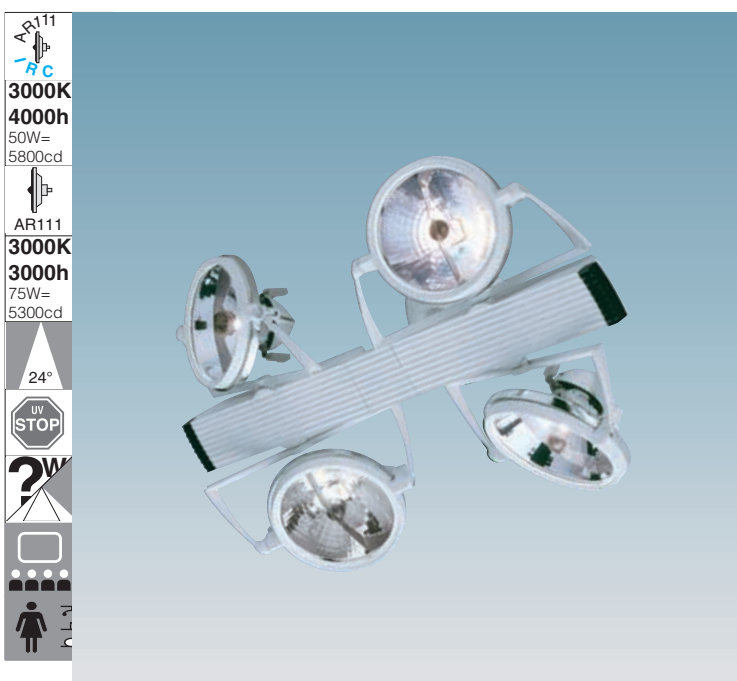
AR111
 3000K
 5000h
 5800cd
 24°
 UV STOP
 ?W
 K10



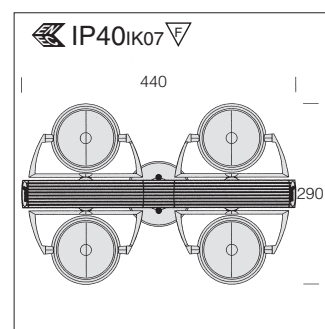
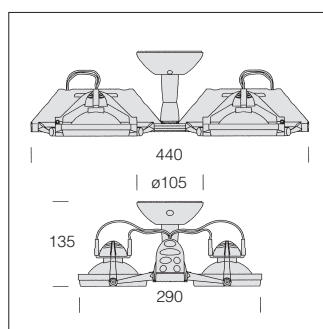
3000K
5000h
 50W= 2850cd
 38°
3000K
5000h
 50W= 5800cd
 24°



Gi OttO 2dicr+2ar111 **CTL**
 GU5,3 2x50 DICR-IRC
 G53 2x50 AR111-IRC 3.9 m. silver **75072**



3000K
4000h
 50W= 5800cd
 AR111
3000K
3000h
 75W= 5300cd
 24°



Gi OttO 4xar111 **CTL**
 G53 4x50 AR111-IRC 3.9 m. silver **75071**
 G53 4x50 AR111-IRC 3.9 white **75010**

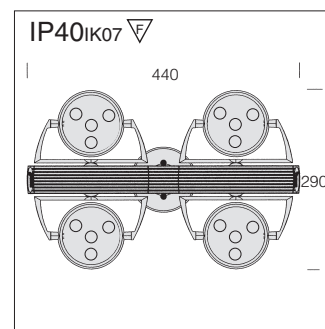
CTL

G53 4x75 AR111 3.9 white **75014**
 G53 4x75 AR111 3.9 m. silver **75074**



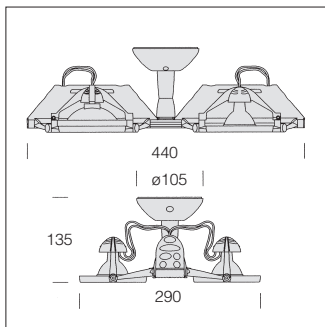
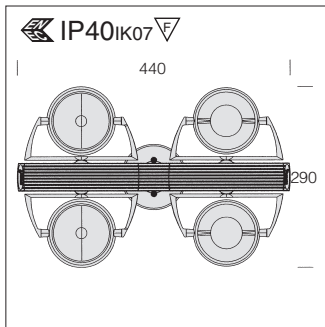
24°

LED
new

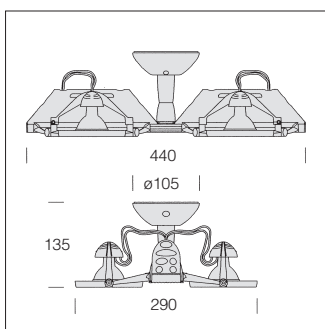
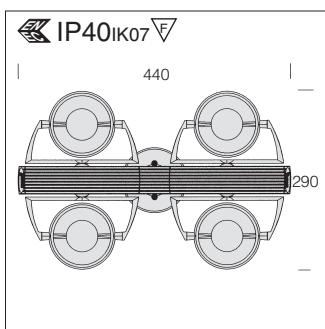


Gi OttO - POWERLED **CTL**
 4x6W **SPOTLED** 4.5 m. silver **75077**

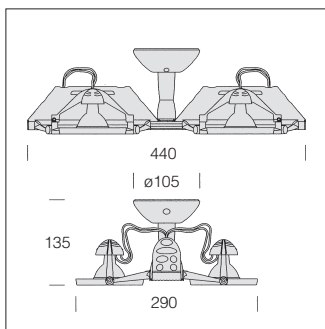
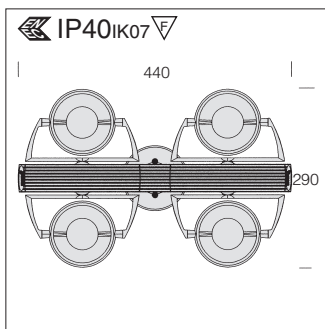
Complete with 4 SPOTLED modules of 6W each, 24W.
 Price on request.



Gi Otto 2ar111+2dicr **CTL**
 GU5,3 2x50 DICR-IRC
 G53 2x50 AR111-IRC 3.9 m. silver **75073**



Gi Otto 4xdicr **CTL**
 GU5,3 4x35 DICR-IRC 3.8 m. silver **75076**
 GU5,3 4x50 DICR-IRC 3.8 white **75016**
 GU5,3 4x50 DICR-IRC 3.8 m. silver **75070**

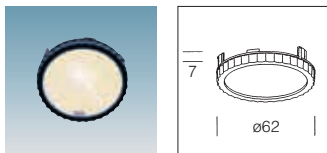


Gi Otto POWERLED - beam 10° **CTL**
 2W LED white 3.8 m. silver **75075**
Gi Otto coloured POWERLED - beam 10° **CTL**
 2W LED blue 3.8 m. silver **75075-71**
 2W LED red 3.8 m. silver **75075-72**
 2W LED yellow 3.8 m. silver **75075-73**
 2W LED green 3.8 m. silver **75075-74**

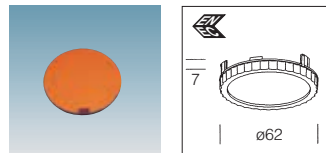
Complete with 4 LED modules of 2W, beam angle 10°.



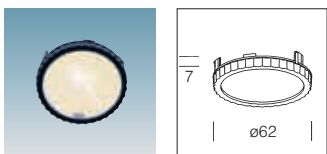
Optic accessories and filters for Gi OttO



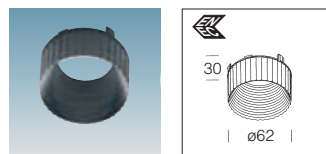
Special filters
Fabrics 5888
 Special filters to enhance goods on display. Only for versions with DICR lamps.



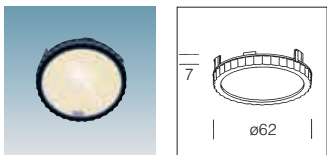
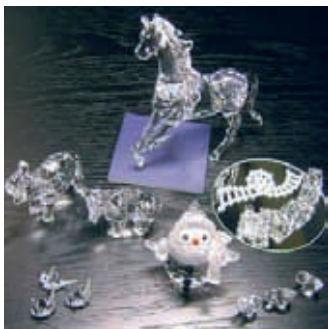
Coloured filters
 Blue **5896**
 Red **5897**
 Yellow **5898**
 Green **5899**
 Coloured glass with dichroic treatment



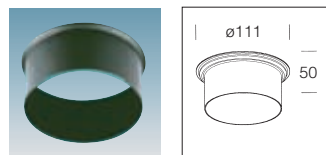
Special filters
Jewellery shop 5889
 Special filters to enhance goods on display. Only for versions with DICR lamps.



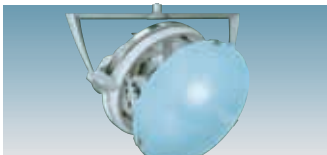
Conveyor 5892
 Conveys the light beam. Only for versions with DICR lamp.



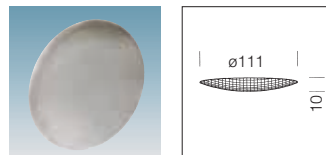
Special filters
Crystal shop 5890
 Special filters to enhance goods on display. Only for versions with DICR lamps.



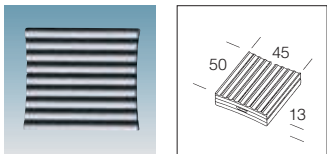
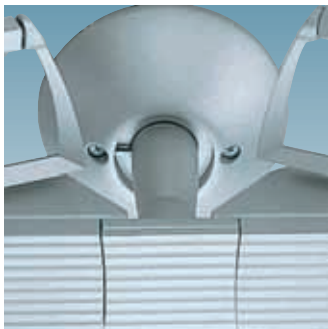
Conveyor x AR 111 5894
 Conveys the light beam. Only for versions with AR111 lamp.



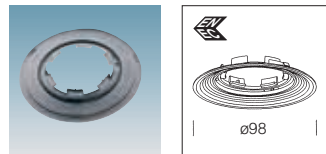
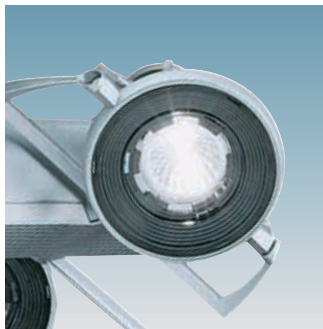
Tempered glass 5893
mat
 Glass to protect against rays to illuminate works of art.



Mesh 5895
x AR 111
 Ideal as protection in artwork lighting. For versions with AR111 lamps.



Alignment joint 5871
m. silver
 Joint used to line up one or more Gi OttO mounted on tracks or suspended for mechanical or aesthetic purposes.
Accessory for ALL Gi Otto products.



Finishing ring 5891
x DICR
 Already mounted on the DICR, CTL-wired. Versions and on the dichroic lamps sold separately. To be used for other lighting choices.
Accessory for ALL Gi Otto products.

MORE LIGHT, LOWER CONSUMPTION!

Save on power with DICR/AR111-IRC lamps. Compared to conventional lamps, they offer much higher luminous efficiency. In practice they use approximately 30%-33% less power to produce the same amount of light as a DICR of the same brightness.

DICR/AR111-IRC lamps feature a very low voltage reflector, and emit very high efficiency cold light. They have:

- a light flux that remains almost unaltered throughout the life of the lamp
- long life 4000h(previous version- 2000h)
- protective glass in compliance with IEC598 for fitting without protective glass shields
- the characteristic blue light projected onto the back of the reflector remains constant over time
- protection against UV rays
- dichroic reflector for 66% reduction of the heat reflected on illuminated objects.

DICHROIC LAMPS

The CTL-wired Gi OttO products are supplied with 35 dichroic lamps having a 24° light beam aperture - 50W dichroic lamps having a 38° light beam aperture. Designers can choose from among a variety of light beams. DICR-IRC lamps help save energy with a 30% increase in luminous efficiency over traditional DICR lamps - in a word: more light, less energy!

AR111 LAMPS

The CTL-wired Gi OttO products are supplied with AR111/75W lamps having a 24° light beam aperture. Designers can choose from among a variety of light beams.

Technological advantages

- reduced electric energy consumption
 - high chromatic efficiency
 - extremely long working life
 - negligible initial mortality
 - reduced size
- high resistance to impacts and vibrations
- direct light emission
- no infrared/ultraviolet emissions
- reduced power absorption
- minimum heat generation

DICR IRC

DICR-IRC power saving lamps provide a luminous efficiency 30% higher than conventional DICR lamps; therefore: more light, lower consumption.

Energy saving MAJOR LIFE

ALU

No light output in the back of the reflector. All heat is driven to the ground.

Energy saving MAJOR LIFE

AR111 IRC

AR111-IRC power saving lamps provide a luminous efficiency 33% higher than conventional AR111 lamps; therefore: more light, lower consumption.

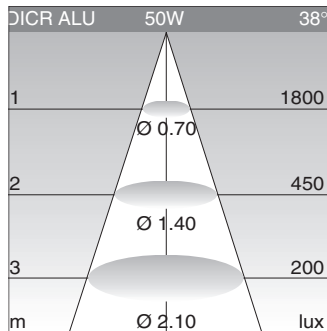
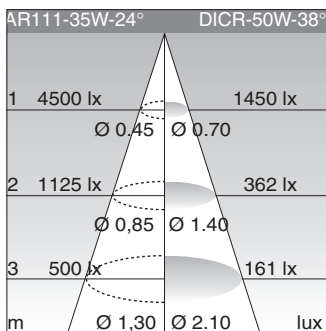
50W = 35W IRC
75W = 50W IRC

Energy saving MAJOR LIFE

Lamps for Gi Otto DICR

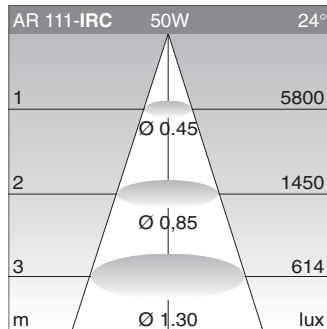
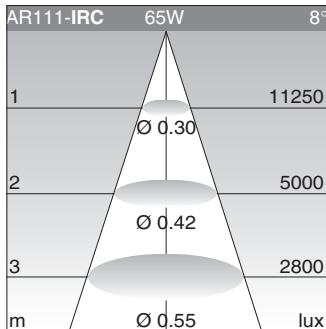
GU5,3 35 DICR-IRC 10°	921643
GU5,3 35 DICR-IRC 38°	921644
GU5,3 50 DICR 10°	921647

The dichroic lamps include an end ring acc. 5891 for mounting on the Gi OttO.



Lamp for Gi Otto AR111

G53 35 AR111-IRC 8°	921650
G53 35 AR111-IRC 24°	921651
G53 50 AR111-IRC 8°	921652
G53 50 AR111-IRC 24°	921653
G53 65 AR111-IRC 8°	921654



Compare :

POWERLED 3,9W
=
10°38°DICHROIC LAMPS

