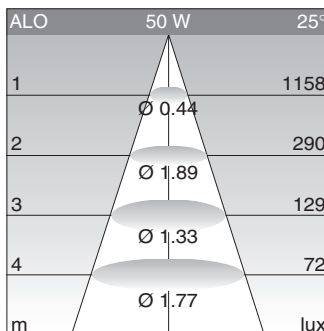
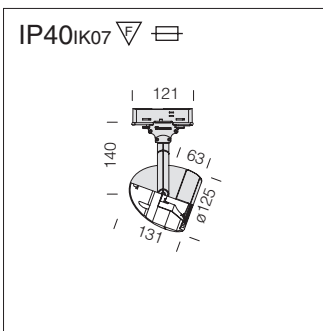


Mini Leo 4 - 230V					S+L-F	
G9	75	ALO	FS	1.0	m. silver	711073
G9	75	ALO	FM	1.0	m. silver	711074
G9	75	ALO	FL	1.0	m. silver	711075
G9	75	ALO	FXL	1.0	m. silver	711076
G9	75	ALO	FS	1.0	white	711013
G9	75	ALO	FM	1.0	white	711014
G9	75	ALO	FL	1.0	white	711015
G9	75	ALO	FXL	1.0	white	711016



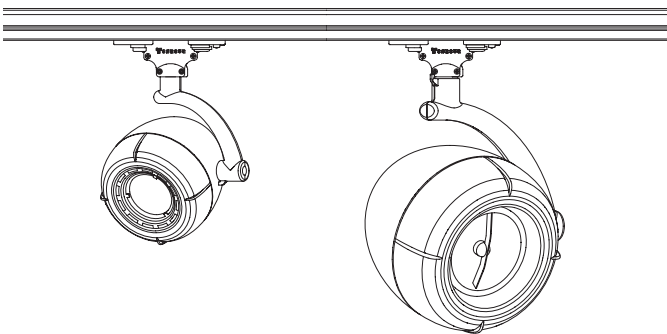
ALO
2900K
2000h
1100lm
UV STOP
new



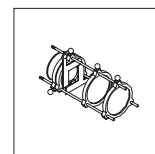
Mini Leo 5 - 230V					S+L-F	
GU10	50	ALO		1.0	m. silver	711174
GU10	50	ALO		1.0	white	711114



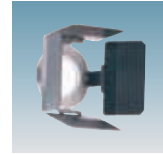
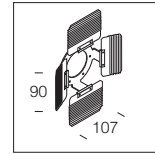
ALO
2900K
2000h
950lm
UV STOP
new



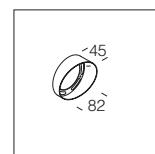
Shaper
black **5227**
For DICR 10° lamp version.



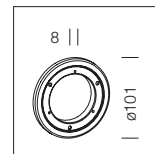
Anti-glare shutter
black **5228**
In steel. For beam orientation.

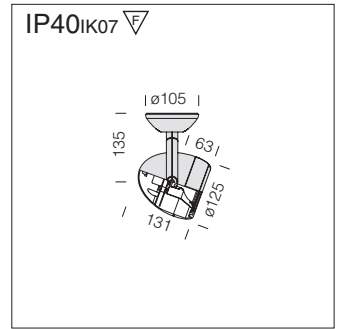


Conveyor Ø mm 82
black **5232**
To convey the beam in one direction. For DICR, ALO.

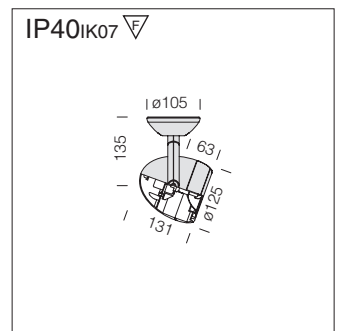
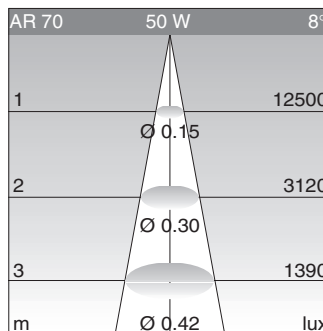
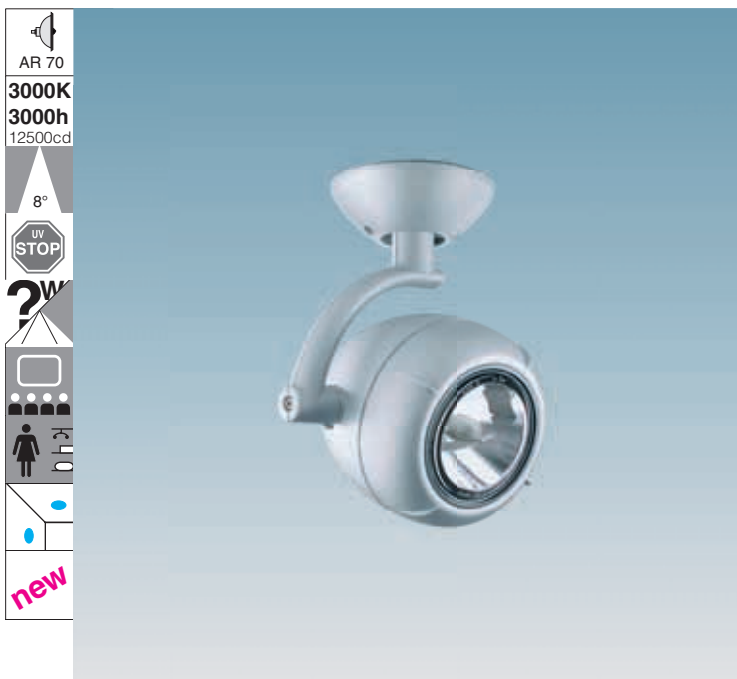


Ring
black **5836**
Always use in installation of accessories for Mini Leo.

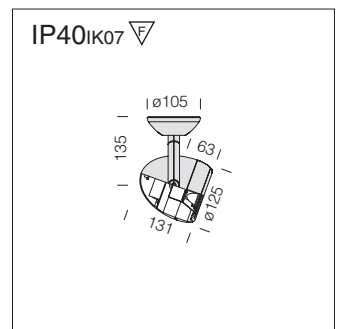
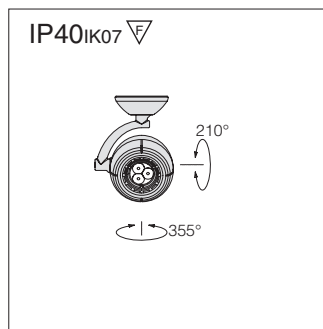




Mini Leo 1 - 12V					CTL
GU5,3	35	DICR	1.0	m. silver	810770
GU5,3	35	DICR	1.0	white	810710



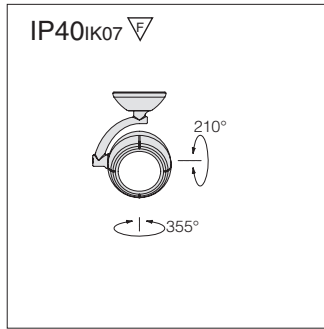
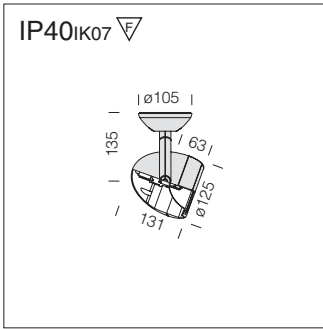
Mini Leo 2					CTL
BA15-d	50	AR70	1.0	m. silver	810871
BA15-d	50	AR70	1.0	white	810811



Mini Leo 3 - POWERLED					CTL
	3x1,4W	LED white 3350K		m. silver	810972
	3x1,4W	LED white 6300K		m. silver	810973

Mini Leo 3 - coloured POWERLED - beam 15°					CTL
GU5,3	3x1,4W	LED blue	1.0	m. silver	810972-71

Complete with 3 LED module of 1,4W each one, beam angle 15°.



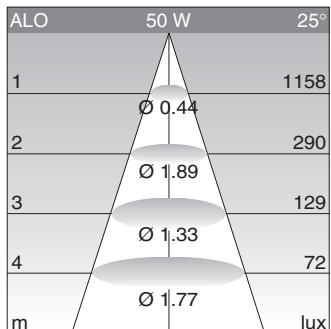
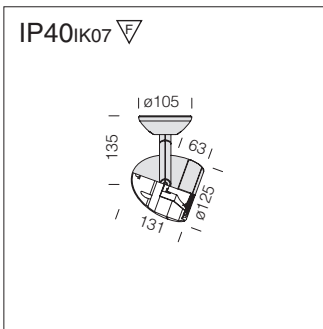
Mini Leo 4 - 230V

S+L

G9	75	ALO	FS	1.0	m. silver	811073
G9	75	ALO	FM	1.0	m. silver	811074
G9	75	ALO	FL	1.0	m. silver	811075
G9	75	ALO	FXL	1.0	m. silver	811076
G9	75	ALO	FS	1.0	white	811013
G9	75	ALO	FM	1.0	white	811014
G9	75	ALO	FL	1.0	white	811015
G9	75	ALO	FXL	1.0	white	811016



ALO
2900K
2000h
 1100lm
 UV STOP
 ?
 new



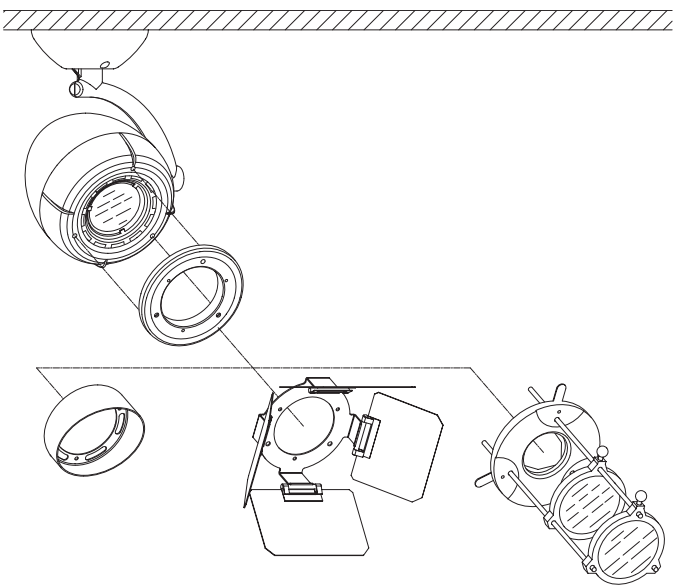
Mini Leo 5 - 230V

S+L

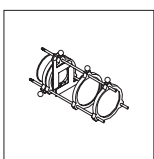
GU10	50	ALO		1.0	m. silver	811174
GU10	50	ALO		1.0	white	811114



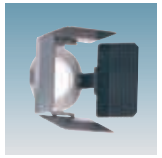
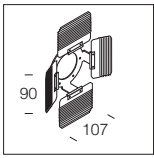
ALO
2900K
2000h
 950lm
 UV STOP
 ?
 new



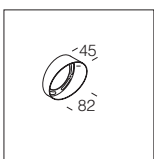
Shaper
 black **5227**
 For DICR 10° lamp version.



Anti-glare shutter
 black **5228**
 In steel. For beam orientation.



Conveyor Ø mm 82
 black **5232**
 To convey the beam in one direction. For DICR, ALO.



Ring
 black **5836**
 Always use in installation of accessories for Mini Leo.

