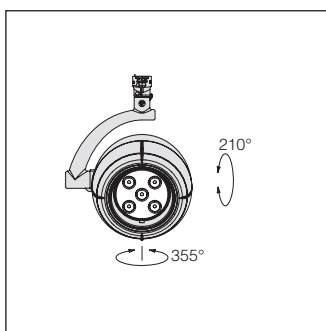
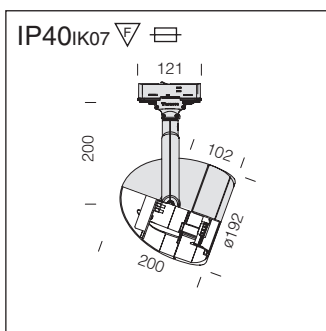




base	Watt	lamp	weight kg	colour	Code Fosnova
------	------	------	--------------	--------	-----------------



Leo 7 - POWERLED

CTL-F

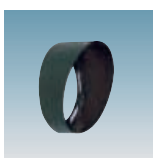
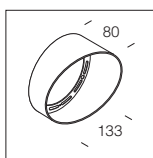
5x3W	LED white	1,7	white	710614
5x3W	LED white	1,7	m. silver.	710674

Complete with 5 LEDs providing 3 W output, beam angle: 30°; it's also possible to choose the LED with 15° beam angle. The light produced by the LED has no ultraviolet and infrared components.



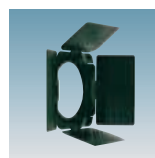
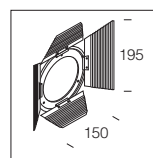
Conveyor

black **5864**
For versions with HCI-TC and AR111 lamps.



Anti-glare shutter

black **5865**
For versions with HCI-TC and AR111 lamps.





Housing: Die-cast aluminium with accessible frame designed with bayonet coupling to allow easy lamp maintenance.

Reflector: Mirror-finish, faceted aluminium for ceramic versions.

Coating: Acrylic resin based UV resistant powder paint.

Lampholder: Ceramic and with silver-plated contacts.

Electronic gear: 230-240V/50-60Hz power supply with electronic ballast or 12 V transformer. Silicon insulated wire with glass fibre braid, cross-section 1.0 mm².

Equipment: supplied with adjustable bracket (on vertical axis with 355° rotation) in die-cast aluminium providing internal passage for wires.

Standards: Products comply with EN 60598-1-CEI 34.21 standards, with level of protection in accordance with EN 60529 standards.



base	Watt	lamp	weight kg	colour	Code Fosnova
------	------	------	--------------	--------	-----------------



3000K

5000h

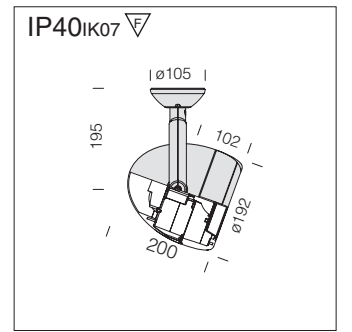
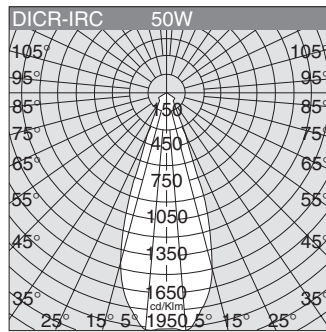
 4400cd

UV STOP

?W

100%

100%



Leo 1 **CTL**

GU5.3	50	DICR-IRC	1.8	white	810010
GU5.3	50	DICR-IRC	1.8	m. silver	810070

Supplied with transformer and IRC lamp = energy saving.



3000K

4000h

 5800cd

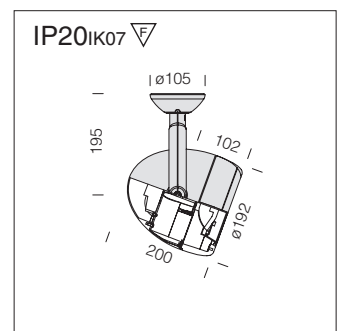
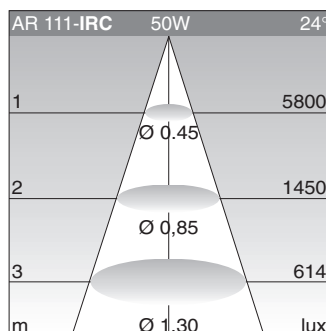
24°

UV STOP

?W

100%

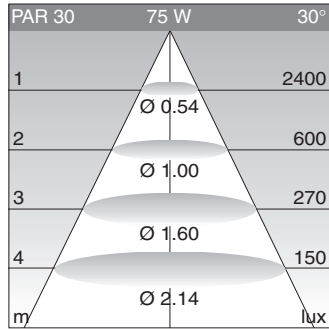
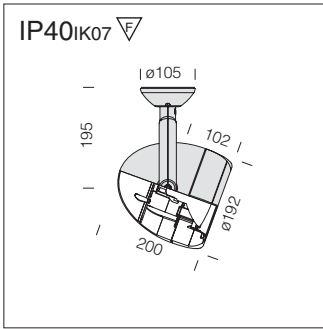
100%



Leo 2 **CTL**

G53	50	AR111-IRC	1.8	white	810111
G53	50	AR111-IRC	1.8	m. silver	810171

Supplied with transformer and IRC lamp = energy saving



Leo 3 **S+L**

E27	75	ALO-PAR30	1,7	white	810212
E27	75	ALO-PAR30	1,7	m. silver	810272

Lamp set with glass reflector for bright light effects; temperature lamp colour 2200K, life 2000h.



PAR30
2900K
2000h

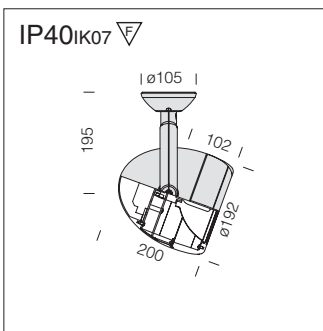
UV STOP

?

?

?

INTERIOR FLOODLIGHTS



Leo 4 **S+L**

E27	100	ALO	2,2	white	810311
E27	100	ALO	2,2	m. silver	810371

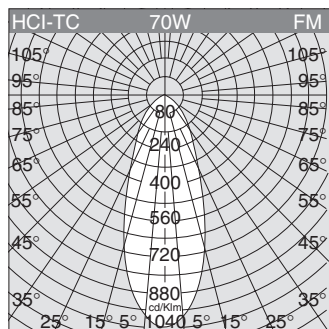
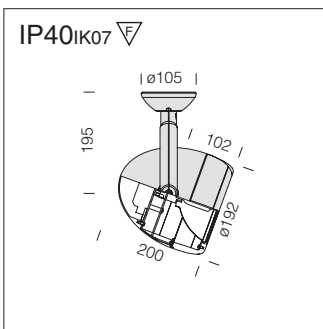


ALO

?

?

?



Leo 4 **CELL**

G8,5	35	HCI-TC	2,2	white	FS	810313
G8,5	35	HCI-TC	2,2	white	FM	810314
G8,5	35	HCI-TC	2,2	white	FL	810315
G8,5	35	HCI-TC	2,2	m. silver	FS	810373
G8,5	35	HCI-TC	2,2	m. silver	FM	810374
G8,5	35	HCI-TC	2,2	m. silver	FL	810375
G8,5	70	HCI-TC	2,2	white	FS	810316
G8,5	70	HCI-TC	2,2	white	FM	810317
G8,5	70	HCI-TC	2,2	white	FL	810318
G8,5	70	HCI-TC	2,2	m. silver	FS	810376
G8,5	70	HCI-TC	2,2	m. silver	FM	810377
G8,5	70	HCI-TC	2,2	m. silver	FL	810378

Supplied with electronic gear and POWERBALL HCI-TC lamp . 35W-3300lm, 70W-6400lm, 3000K colour temperature.



HCI-TC

3000K

35W= 3300lm
70W= 6400lm

12°

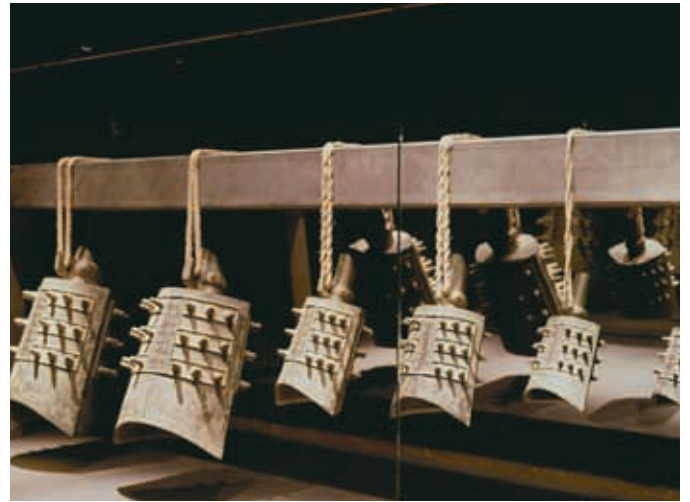
24°

40°

?

?

?



base	Watt	lamp	weight kg	colour	Code Fosnova
------	------	------	--------------	--------	-----------------

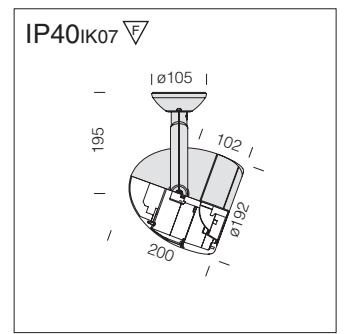
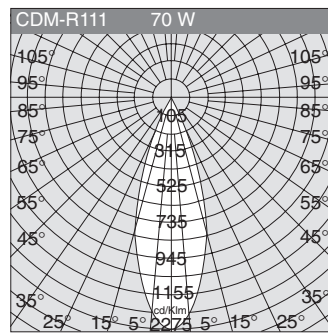
CDM-R
3000K
Ra=1b
35W=8500cd
70W=15000cd

35W = 24
70W = 42

uv STOP

?

LED



Leo 5

					CELL
GX8,5	35	CDM-R111	1.9	white	810411
GX8,5	35	CDM-R111	1.9	m. silver	810471
GX8,5	70	CDM-R111	1.9	white	810412
GX8,5	70	CDM-R111	1.9	m. silver	810472

Supplied with electronic gear and CDM-R111 lamp.

35W version with optics of 24°.

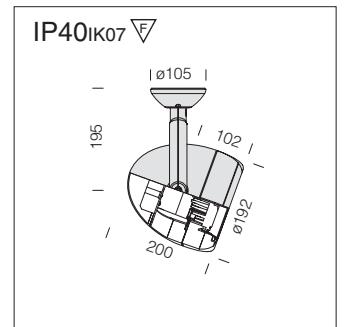
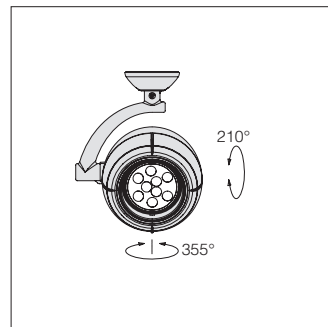
70W version with optics of 42°.

CDM-R lamps are designed for decorative illumination and expositions. The energy consumption and heat production are reduced by at least 66%. Lamps life is up to 4 times more than using a halogen lamp (11000h average life).

uv STOP

?

LED



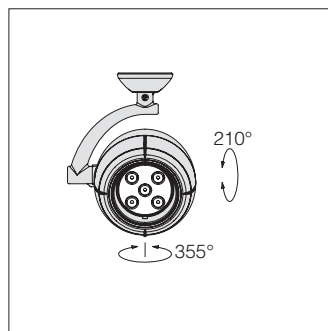
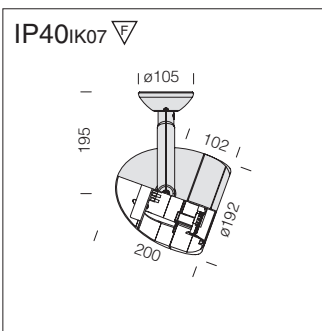
Leo 6 - POWERLED

					CTL
18W	SPOTLED111	24°	2.3	white	810513
18W	SPOTLED111	24°	2.3	m. silver	810573
18W	SPOTLED111	10°	2.3	white	810514
18W	SPOTLED111	10°	2.3	m. silver	810574

Supplied with SpotLED111 type lamp composed of 9 LEDs with a total power output of 18 W and electromechanical transformer. The lamp can be positioned in any direction covering 360°.



base	Watt	lamp	weight kg	colour	Code Fosnova
------	------	------	--------------	--------	-----------------



Leo 7 - POWERLED

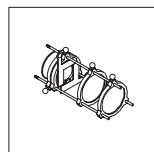
CTL

5x3W	LED white	1.8	white	810614
5x3W	LED white	1.8	m. silver	810674

Complete with 5 LEDs providing output 3 W , 30° beam angle; it's possible to chose LED with 15° beam angle. The light of the LED has no ultraviolet and infrared components.

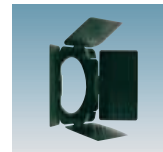
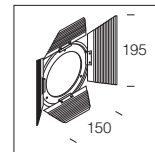
Shaper

black **5227**
For DICR 10° lamp version.



Anti-glare shutter

black **5865**
For HCI-TC e AR111 lamp version.



Conveyor

black **5864**
For HCI-TC e AR111 lamp version.

