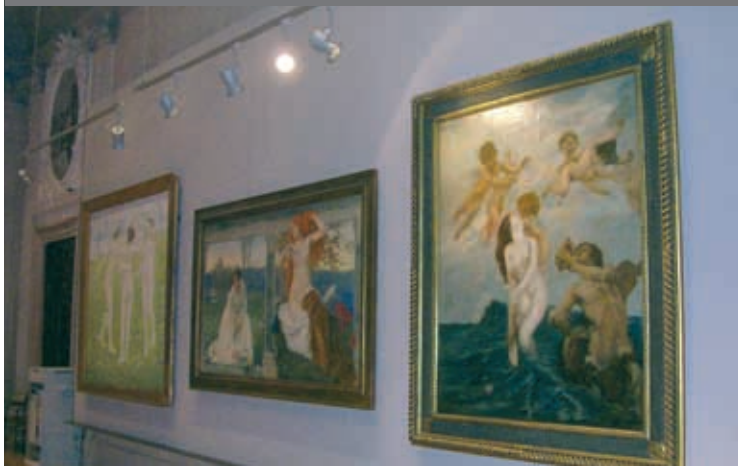


Ca Pesaro - Venice



Housing: Die-cast aluminium with cooling holes.

Reflector: Oxidised polished aluminium for the version equipped with lamps without reflector.

Coating: Power-coated with a UV-resistant polyester epoxy paint.

Lampholder: Ceramic with silver-plated contacts, or PBT with phosphorous bronze contacts.

Regulations: Manufactured in accordance with EN 60598-1-CEI 34.21 standards. Degree of protection in accordance with EN60529 standards.



ALO
2900K
2000h
950lm

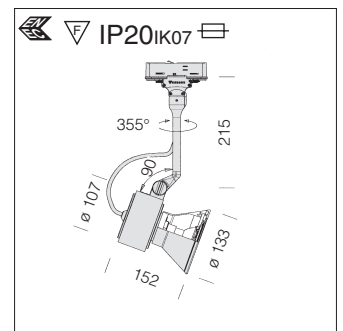
30°

UV STOP

FILTER

base	Watt	lamp	weight kg	colour	Code ifosnova
------	------	------	--------------	--------	------------------

ALO	50 W	30°
1	Ø 0.44	1158
2	Ø 1.89	290
3	Ø 1.33	129
4	Ø 1.77	72
m		lux



Vision A+M - 230 V					CNL-F
GU10	50	ALO	1,1	m. silver	700071
GU10	50	ALO	1,1	black	700031
GU10	50	ALO	1,1	white	700011

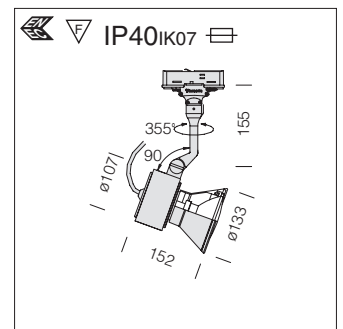
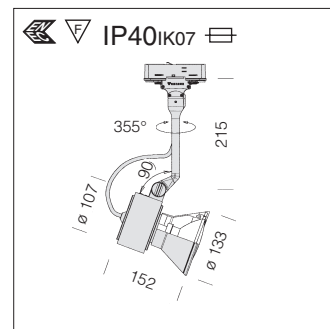
Supplied with 230 V lamp. Mains voltage operation.
IP40 with special and coloured filters, conveyor.



PAR30
3000K
2000h
1750cd

30°

UV STOP

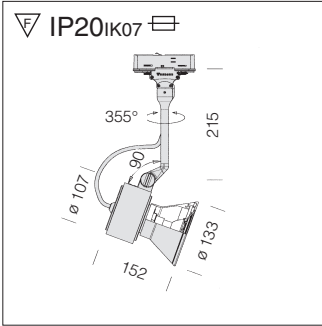


Vision A+M					CNL-F
E27	75	PAR 30	1,1	m. silver	700075
E27	75	PAR 30	1,1	black	700035
E27	75	PAR 30	1,1	white	700015

Supplied with PAR 30 lamp. Mains voltage operation.

Vision A+M short version					CNL-F
E27	75	PAR 30	1,0	m. silver	700077
E27	75	PAR 30	1,0	black	700037
E27	75	PAR 30	1,0	white	700017

Supplied with PAR 30 lamp. Mains voltage operation.



5000K
50000h
120lm

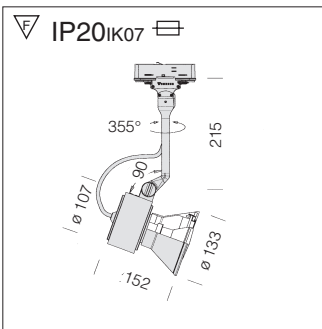
10

UV STOP

LED

Vision A+M POWERLED - beam 10° - 230 V				S+L-F
GU10	2,5W	LED white	1,1 m. silver	700078
Vision A+M coloured POWERLED - beam 10° - 230V				S+L-F
GU10	2,5W	LED blue	1,1 m. silver	700078-71
GU10	2,5W	LED red	1,1 m. silver.	700078-72
GU10	2,5W	LED yellow	1,1 m. silver	700078-73
GU10	2,5W	LED green	1,1 m. silver	700078-74

Supplied with LED module of 2.5W, mains voltage operation. Beam angle: 10°



6000K
bia=135lm
blu=48lm
rosso=81lm
giallo=73lm
ver=159lm

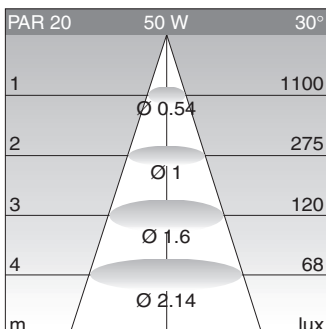
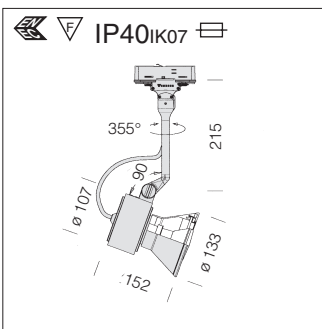
6

UV STOP

LED

Vision A+M POWERLED - beam 6°				CELL-F
3x1,4W	LED white	1,1 m. silver.		700079
Vision A+M coloured POWERLED - beam 6°				CELL-F
3x1,4W	LED blue	1,1 m. silver		700079-71
3x1,2W	LED red	1,1 m. silver		700079-72
3x1,2W	LED yellow	1,1 m. silver.		700079-73
3x1,4W	LED green	1,1 m. silver		700079-74

Supplied with 3 LED module of 1,4W for each one. Beam angle: 6°



PAR20

3000K
20000h
850cd

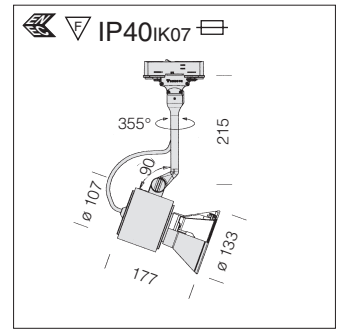
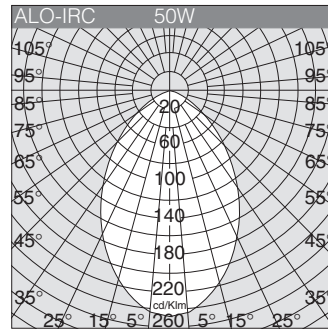
30°

UV STOP

LED

Vision A+M				CNL-F
E27	50	PAR 20	1,1 m. silver	700073
E27	50	PAR 20	1,1 black	700033
E27	50	PAR 20	1,1 white	700013

Supplied with PAR 20 lamp. Mains voltage operation.

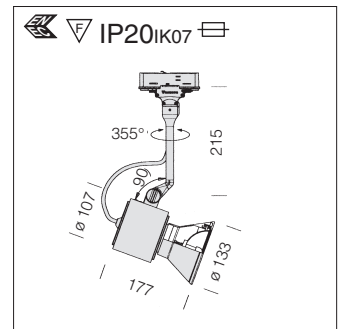
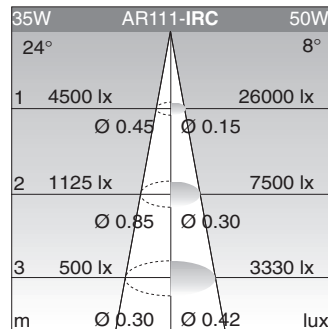
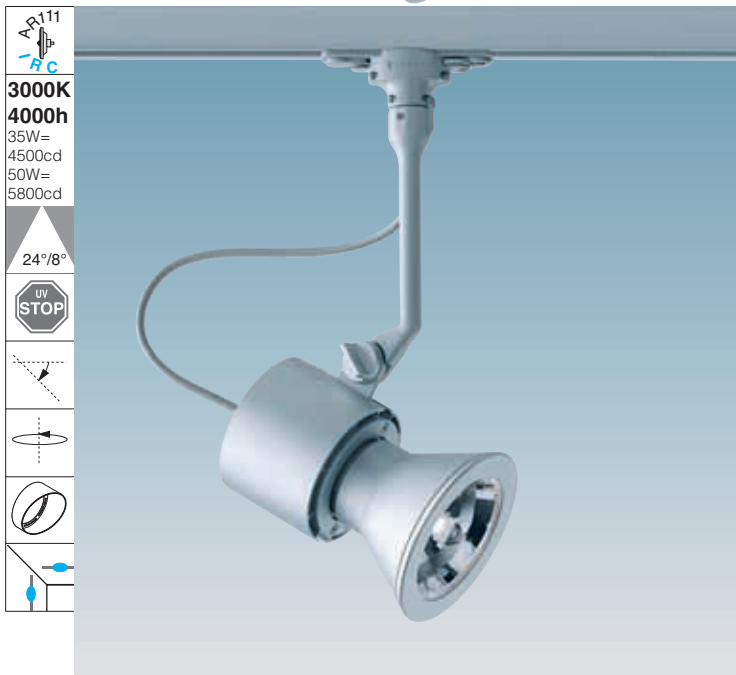


Vision B+M

CTL-F

GY 6,35 50	ALO-IRC	1,3	m. silver	700172
GY 6,35 50	ALO-IRC	1,3	black	700132
GY 6,35 50	ALO-IRC	1,3	white	700112

Supplied with transformer and IRC lamp. Complete with matt protective glass.

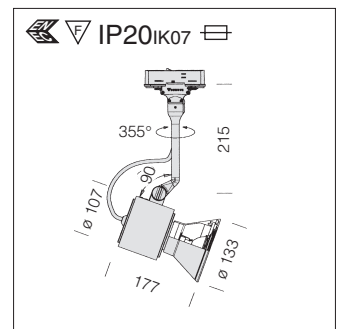
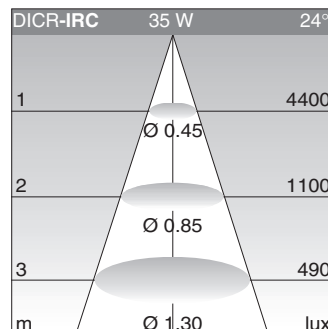


Vision B+M

CTL-F

G53 35	AR111-IRC	1,3	m. silver	700274
G53 35	AR111-IRC	1,3	black	700234
G53 35	AR111-IRC	1,3	white	700214
G53 50	AR111-IRC	1,3	m. silver	700273
G53 50	AR111-IRC	1,3	black	700233
G53 50	AR111-IRC	1,3	white	700213

Supplied with transformer and IRC lamp = energy saving.



Vision B+M

CTL-F

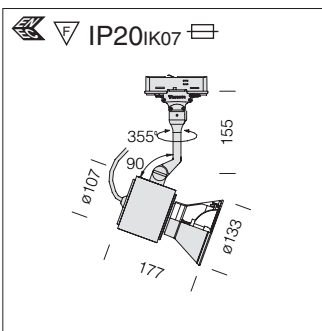
GU 5,3 35	DICR-IRC	1,3	m. silver	700376
GU 5,3 35	DICR-IRC	1,3	black	700336
GU 5,3 35	DICR-IRC	1,3	white	700316

Supplied with transformer and IRC lamp = energy saving.

Normanni Palace - Palermo



base	Watt	lamp	weight kg	colour	Code Fosnova
------	------	------	--------------	--------	-----------------



	AR111-IRC	35W	24°
1			4500 lx
		Ø 0.45	
2			1125 lx
		Ø 0.85	
3			500 lx
m		Ø 0.30	lux



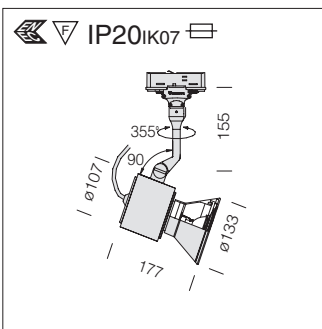
AR111-IRC
3000K
4000h
4500cd
24
UV STOP
Beam spread diagram
Rotation arrow
Beam diameter diagram
Color swatches

Vision B+M short version

CTL-F

G53	35	AR111-IRC	1,2	m. silver	700278
G53	35	AR111-IRC	1,2	black	700238
G53	35	AR111-IRC	1,2	white	700218

Supplied with transformer and IRC lamp = energy saving.



	DICR-IRC	35 W	24°
1			4400
		Ø 0.45	
2			1100
		Ø 0.85	
3			490
m		Ø 1.30	lux



DICR-IRC
3000K
5000h
4400cd
M
UV STOP
Beam spread diagram
Rotation arrow
Beam diameter diagram
FILTER
Adjustment handle

Vision B+M short version

CTL-F

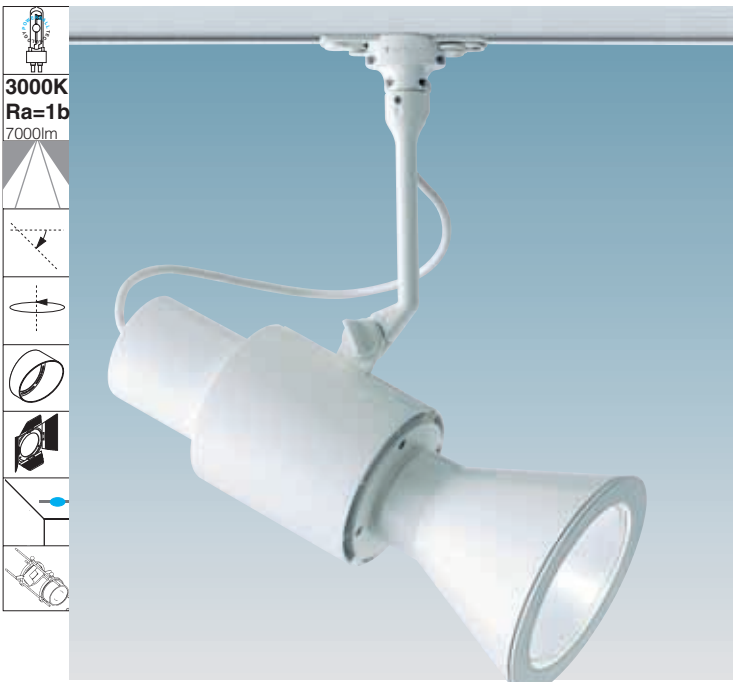
GU 5,3	35	DICR-IRC	1,2	m. silver	700379
GU 5,3	35	DICR-IRC	1,2	black	700339
GU 5,3	35	DICR-IRC	1,2	white	700319

Supplied with transformer and IRC lamp = energy saving.

Adidas - Cornaredo



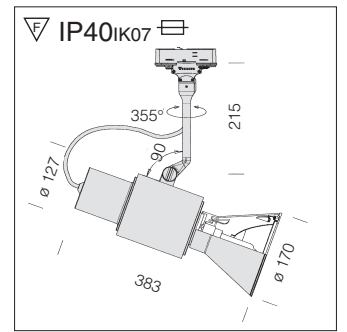
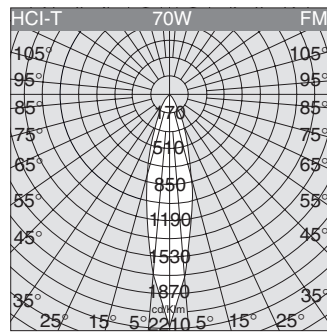
base	Watt	lamp	weight	colour	Code
			kg		Fosnova



3000K

Ra=1b

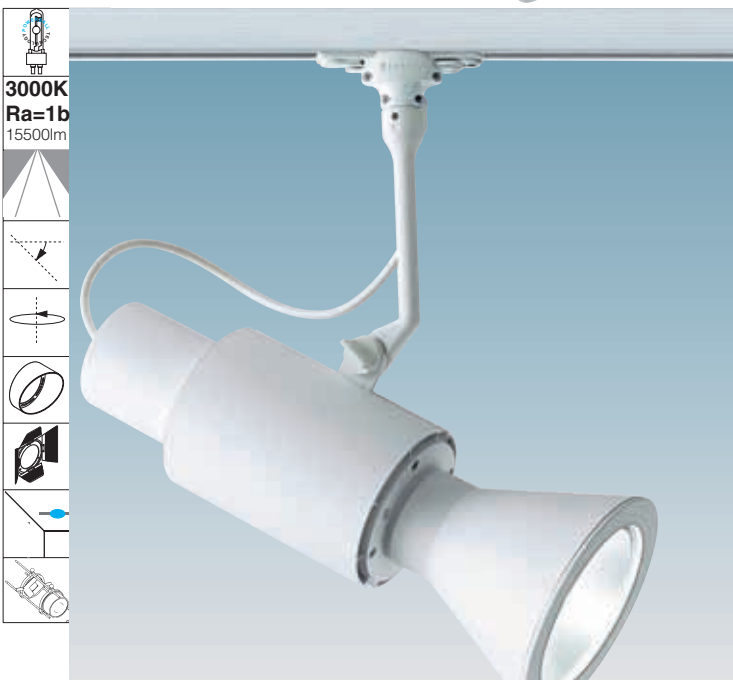
 7000lm



Vision G+N

						CNRL-F
G12	70	HCI-T	FS	3,9	m. silver	701173
G12	70	HCI-T	FS	3,9	black	701133
G12	70	HCI-T	FS	3,9	white	701113
G12	70	HCI-T	FM	3,9	m. silver	701174
G12	70	HCI-T	FM	3,9	black	701134
G12	70	HCI-T	FM	3,9	white	701114
G12	70	HCI-T	FL	3,9	m. silver	701175
G12	70	HCI-T	FL	3,9	black	701135
G12	70	HCI-T	FL	3,9	white	701115

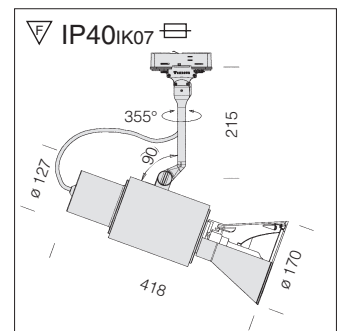
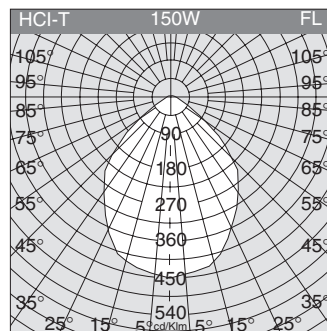
Supplied with lamp POWERBALL HCI- T 70W WDL.



3000K

Ra=1b

 15500lm



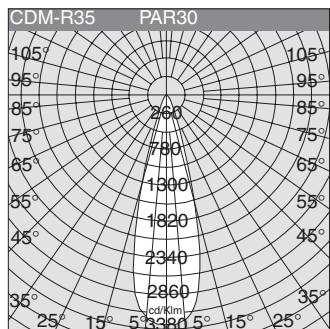
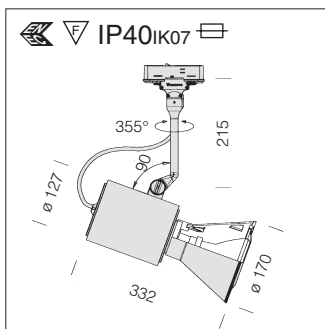
Vision H+N

						CNRL-F
G12	150	HCI-T	FS	5,0	m. silver	701276
G12	150	HCI-T	FS	5,0	black	701236
G12	150	HCI-T	FS	5,0	white	701216
G12	150	HCI-T	FM	5,0	m. silver	701277
G12	150	HCI-T	FM	5,0	black	701237
G12	150	HCI-T	FM	5,0	white	701217
G12	150	HCI-T	FL	5,0	m. silver	701278
G12	150	HCI-T	FL	5,0	black	701238
G12	150	HCI-T	FL	5,0	white	701218

Supplied with lamp POWERBALL HCI- T 150W WDL.



base	Watt	lamp	weight kg	colour	Code Fosnova
------	------	------	--------------	--------	-----------------



CDM-R
3000K
35W= 2200lm
70W= 4850lm

M

A2

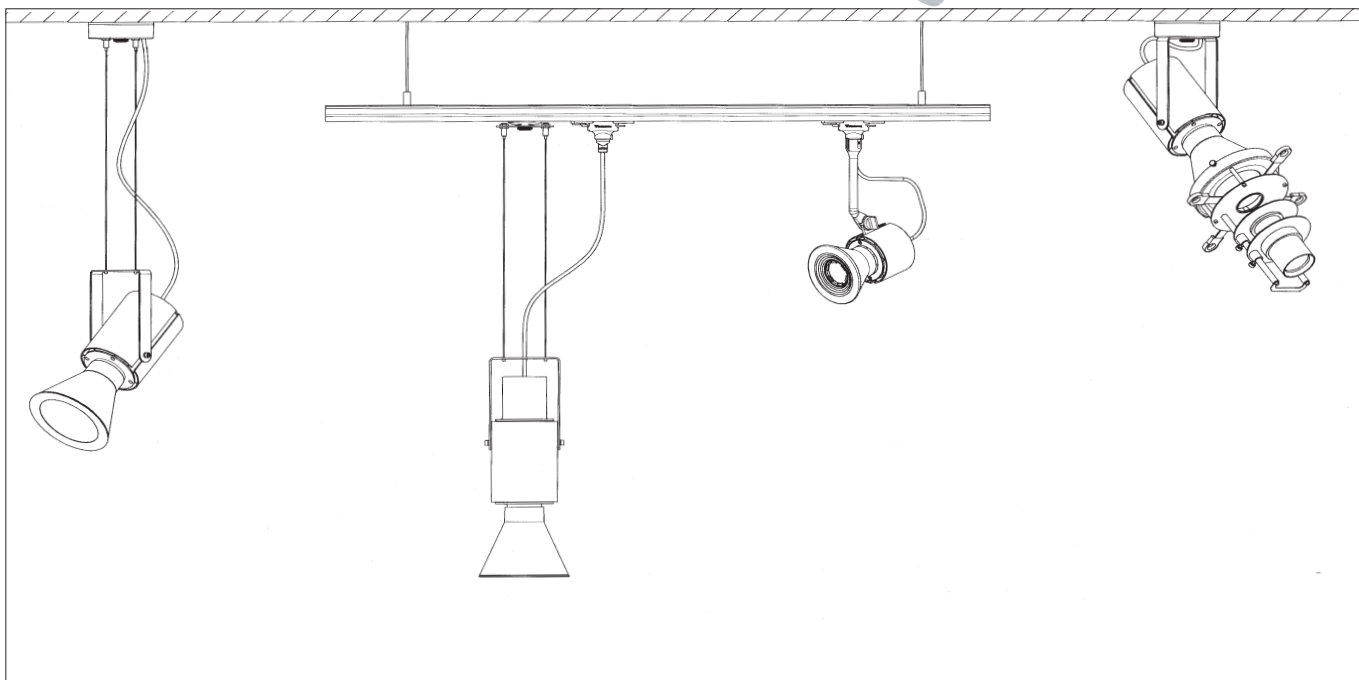
UV STOP

Vision D+N

CELL-F

E27	35	CDM-R-PAR30	2,6	m. silver.	700970
E27	35	CDM-R-PAR30	2,6	black	700930
E27	35	CDM-R-PAR30	2,6	white	700910
E27	70	CDM-R-PAR30	2,6	m. silver	700971
E27	70	CDM-R-PAR30	2,6	black	700931
E27	70	CDM-R-PAR30	2,6	white	700911

Supplied with electronic gear and CDM-R PAR30 lamp.
CDM-R lamps are designed for decorative illumination and expositions. The energy consumption and heat production are reduced by at least 66%. Lamps life is up to 4 times more than using a halogen lamp (11000h average life).



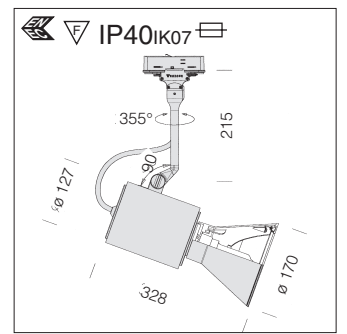
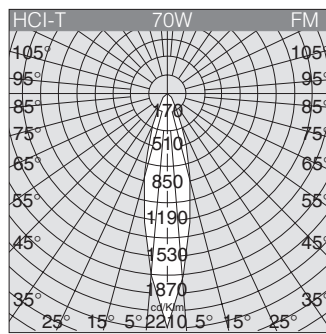
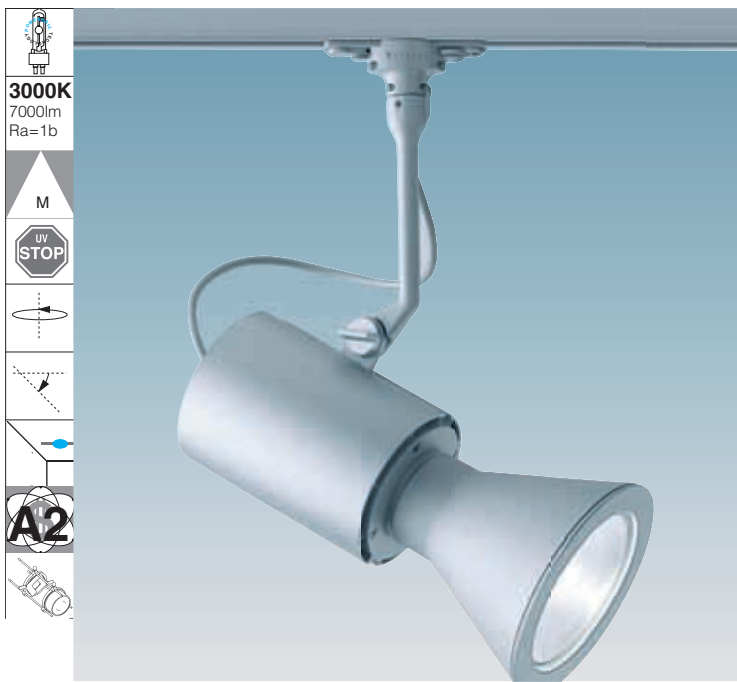
Star Wars "The Show" - Triennale (MI)



Miglio in castello - Brescia



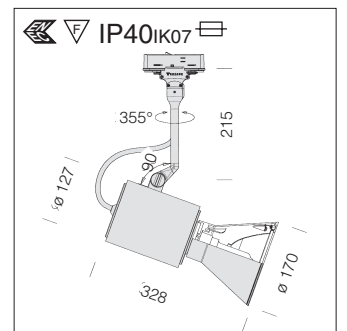
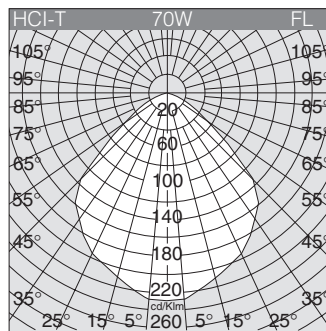
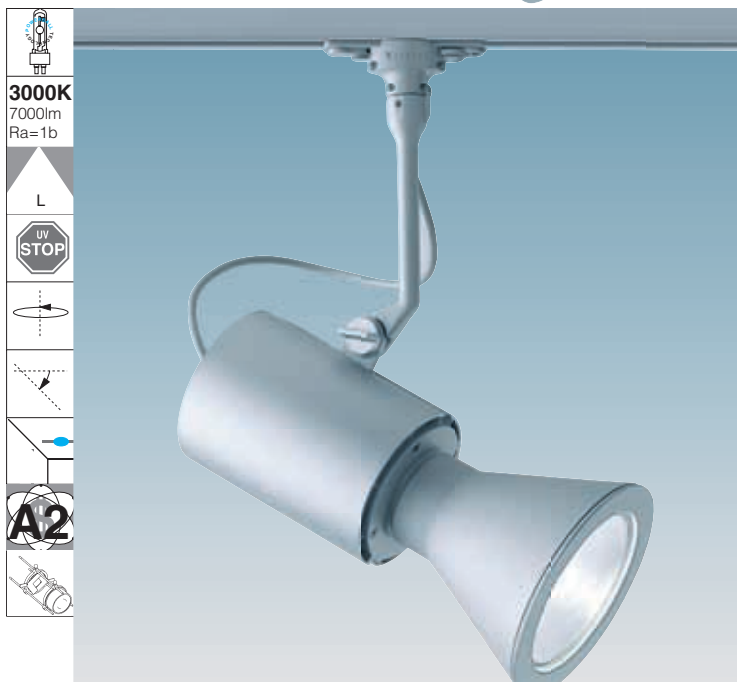
base	Watt	lamp	weight kg	colour	Code Fosnova
------	------	------	--------------	--------	-----------------



Vision D+N - medium beam **CELL-F**

G12	70	HCI-T	FM	2,6	m. silver	700774
G12	70	HCI-T	FM	2,6	black	700734
G12	70	HCI-T	FM	2,6	white	700714

Supplied with electronic gear and lamp POWERBALL HCI-T.



Vision D+N - wide beam **CELL-F**

G12	70	HCI-T	FL	2,6	m. silver	700776
G12	70	HCI-T	FL	2,6	black	700736
G12	70	HCI-T	FL	2,6	white	700716

Supplied with electronic gear and lamp POWERBALL HCI-T.

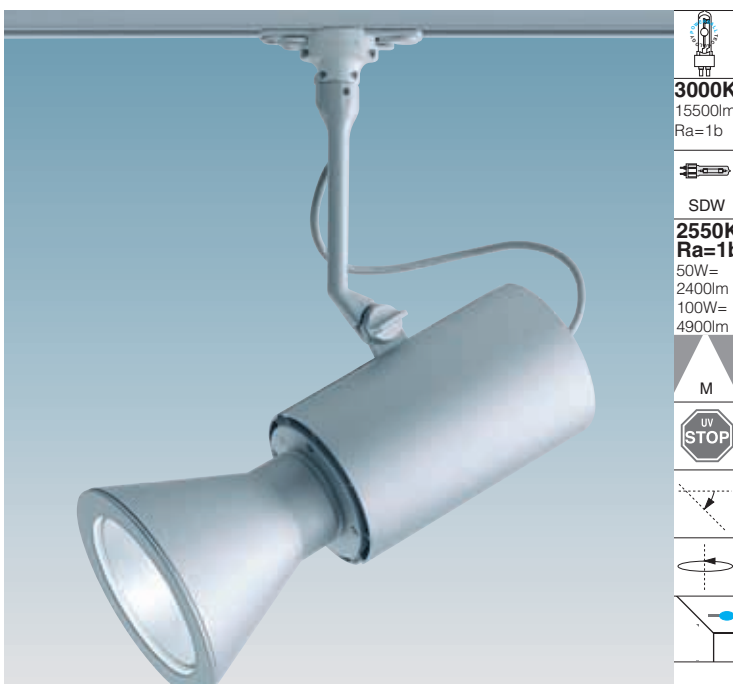
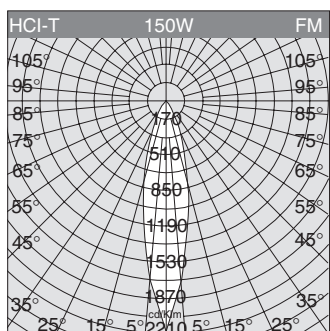
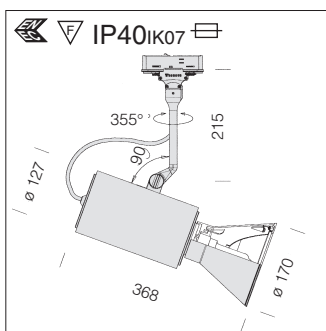
Normanni Palace - Palermo (Italy)



Copto Museum - Cair (Egypt)



base	Watt	lamp	weight kg	colour	Code Fosnova
------	------	------	--------------	--------	-----------------



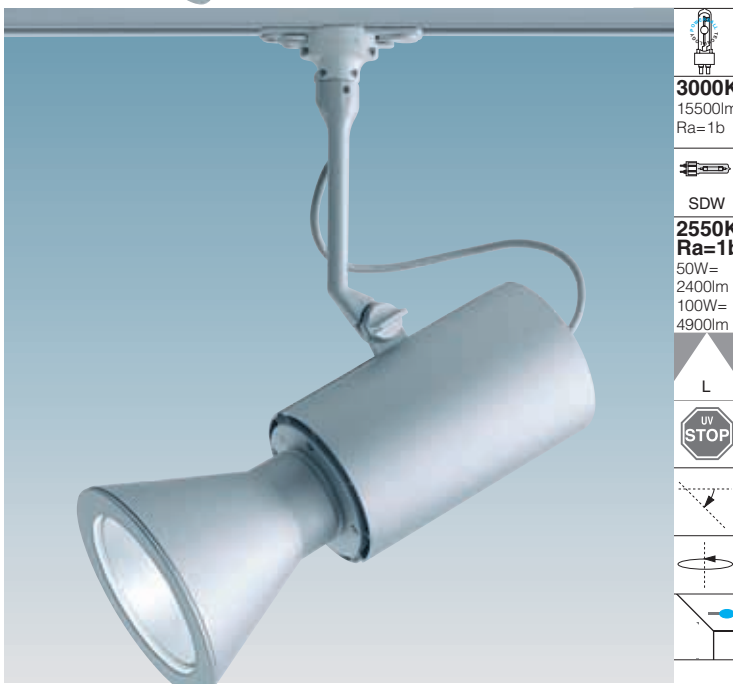
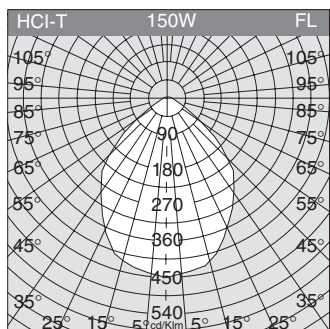
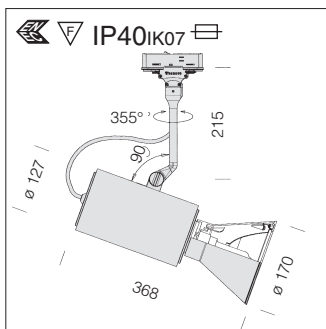
3000K
 15500lm
 Ra=1b
 SDW
2550K
 Ra=1b
 50W= 2400lm
 100W= 4900lm
 M

Vision E+N - medium beam

CELL-F

G12	150	HCl-T	FM	3,3	m. silver.	700873
G12	150	HCl-T	FM	3,3	black	700833
G12	150	HCl-T	FM	3,3	white	700813
GX12-1	50	SDW-T	FM	3,3	m. silver.	700874
GX12-1	50	SDW-T	FM	3,3	black	700834
GX12-1	50	SDW-T	FM	3,3	white	700814
GX12-1	100	SDW-T	FM	3,3	m. silver	700875
GX12-1	100	SDW-T	FM	3,3	black	700835
GX12-1	100	SDW-T	FM	3,3	white	700815

Supplied with electronic gear.



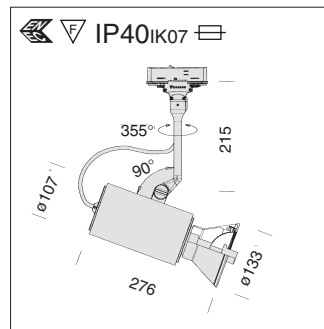
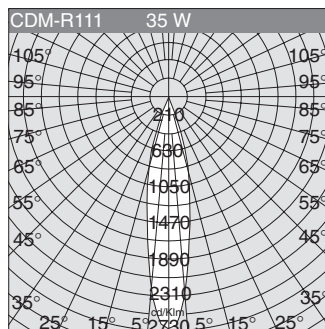
3000K
 15500lm
 Ra=1b
 SDW
2550K
 Ra=1b
 50W= 2400lm
 100W= 4900lm
 L

Vision E+N - wide beam

CELL-F

G12	150	HCl-T	FL	3,3	m. silver	700876
G12	150	HCl-T	FL	3,3	black	700836
G12	150	HCl-T	FL	3,3	white	700816
GX12-1	50	SDW-T	FL	3,3	black	700837
GX12-1	50	SDW-T	FL	3,3	white	700817
GX12-1	100	SDW-T	FL	3,3	black	700838
GX12-1	100	SDW-T	FL	3,3	white	700818

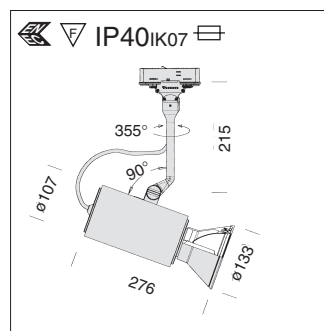
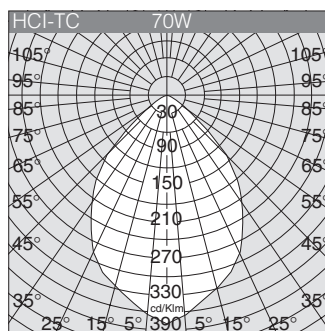
Supplied with electronic gear.



Vision C+M **CELL-F**

GX8,5	35	CDM-R111	2,0	m. silver	700571
GX8,5	35	CDM-R111	2,0	black	700531
GX8,5	35	CDM-R111	2,0	white	700511
GX8,5	70	CDM-R111	2,0	m. silver	700572
GX8,5	70	CDM-R111	2,0	black	700532
GX8,5	70	CDM-R111	2,0	white	700512

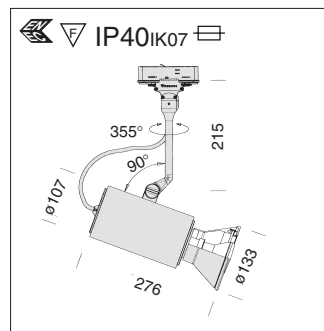
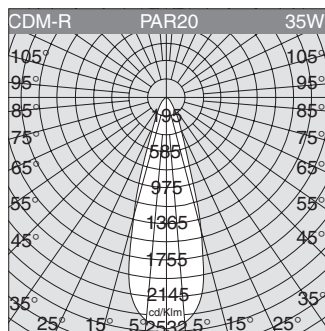
Supplied with electronic gear and CDM-R111 lamp.
 CDM-R lamps are designed for decorative illumination and expositions. The energy consumption and heat production are reduced by at least 66%. Lamps life is up to 4 times more than using a halogen lamp (11000h average life).



Vision C+M **CELL-F**

G8,5	35	HCI-TC	2,0	m. silver	700573
G8,5	35	HCI-TC	2,0	black	700533
G8,5	35	HCI-TC	2,0	white	700513
G8,5	70	HCI-TC	2,0	m. silver	700575
G8,5	70	HCI-TC	2,0	black	700535
G8,5	70	HCI-TC	2,0	white	700515

Supplied with electronic gear and lamp POWERBALL HCI-T.



Vision C+M **CELL-F**

E27	35	CDM-R-PAR 20	2,0	m. silver	700677
E27	35	CDM-R-PAR 20	2,0	black	700637
E27	35	CDM-R-PAR 20	2,0	white	700617

Supplied with electronic gear and lamp CDM-R-PAR 20.
 CDM-R lamps are designed for decorative illumination and expositions. The energy consumption and heat production are reduced by at least 66%. Lamps life is up to 4 times more than using a halogen lamp (11000h average life).