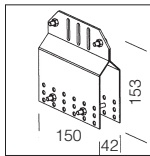
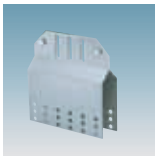


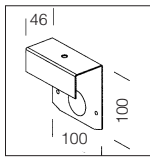
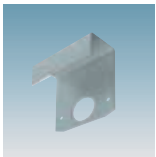


This structure is obtained by using the appropriate accessories with the OMNITRACK track. The 2-way track's main feature is the possibility to use it as an electrified track for accent light floodlights (lower side), and as a load-bearing system to support a ceiling fixture for general lighting.

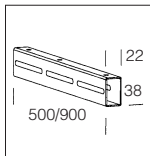
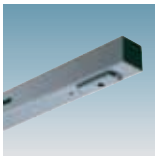
Double track



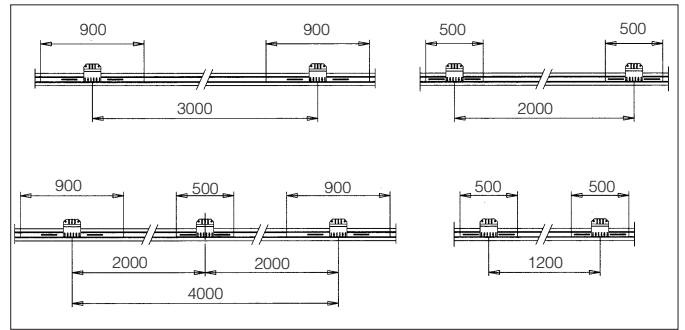
Bracket suspension
steel **24870**
For suspension and installation of two Omnitrack tracks.



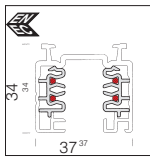
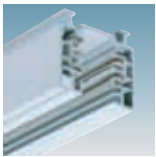
Ceiling fixture mounting bracket
steel **24871**
The coupler permits the installation of the "OVALE" and "TOP" ceiling louvres on the double track.



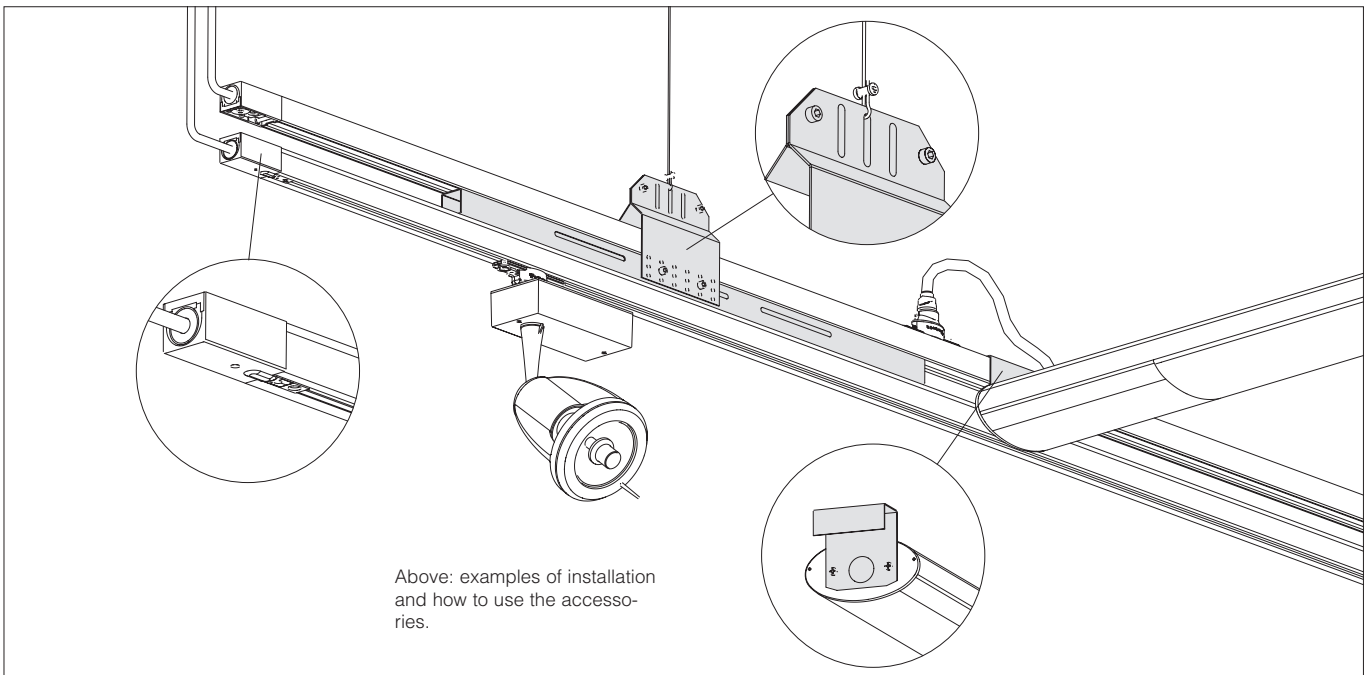
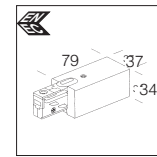
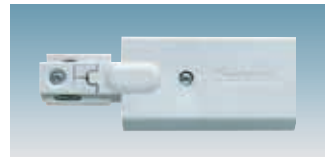
Track bracket
steel L=500 **24875**
steel L=900 **24879**
Made in steel. To join two Omnitracks and to attach bracket acc. 24870.



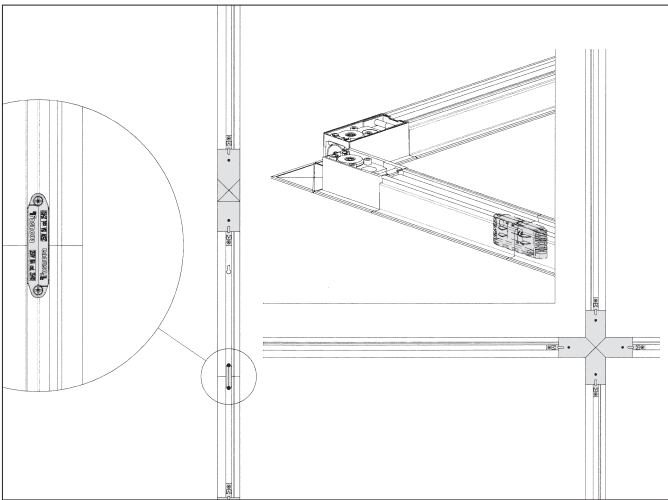
Power supply
white **25102**
grey **25110**
black **25131**
dark grey **25174**
Provides power to the track.



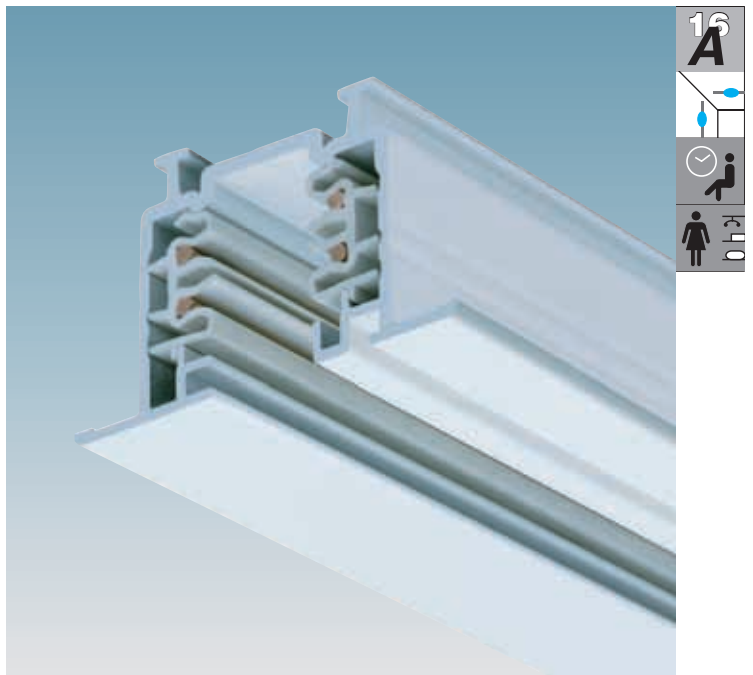
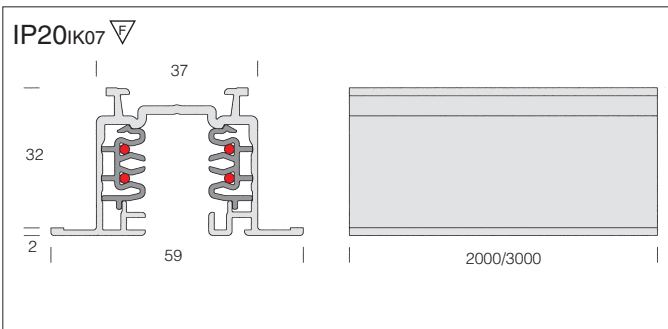
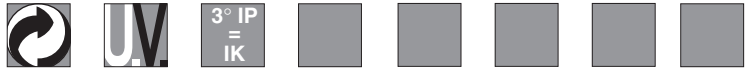
Omnitrack
To select the Omnitrack to be used, please see page 6.



Above: examples of installation and how to use the accessories.



Size mt	weight kg	colour	Code iFosnova
------------	--------------	--------	------------------

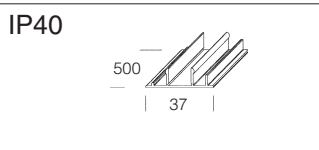


Recessed Omnitrack			S
2.00	2.70	Al. ox. nat.	15572
2.00	2.70	white	15513
3.00	4.00	Al. ox. nat.	15674
3.00	4.00	white	15616

Complete with one end cap.

Cover for IP40			IP40
500	0,10	white Al.track	25515
500	0,10	black Al.track	25533
500	0,10	oxy Al.track	25572

Length = 500mm. To be installed as covers on Omnitrack tracks, in this case the track complies with IP40 rating, in compliance with the CEI EN 60529 standard.



Recessed power supply			
0.20	white		24710
0.20	grey		24772

Made of polycarbonate. Provides power to the track. Quick-connected with a guide pawl and an accessory for selection of phase-neutral position. It allows input of the power cable. It allows linear, L-shaped, T-shaped or cross-joint connections.

