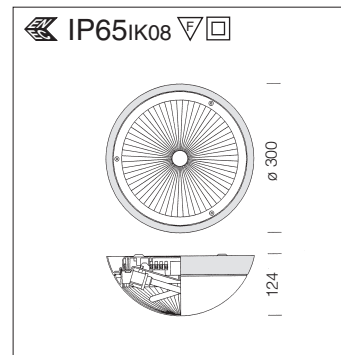
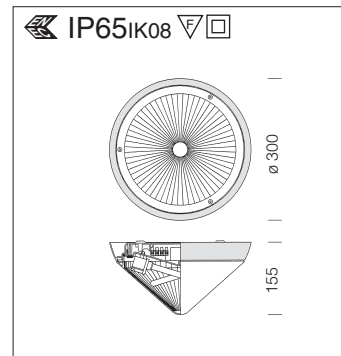


Art. 1544 Globo



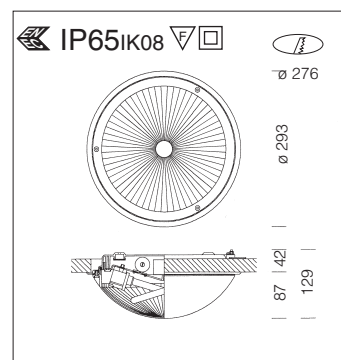
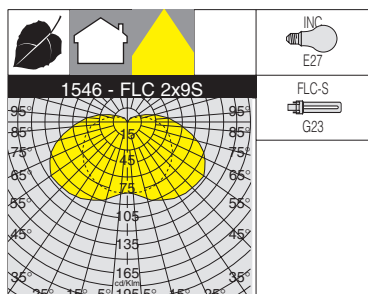
1543 Cono						
		S		CNL		Lamps (Ta=25°C)
wattage	colour	weight	code	weight	code	Kelvin - ølm - Ra
INC 100	grey	1.60	427146-00			
FLC 2x9S	grey			1.90	427147-00	4000K - 600lm - Ra 1b

1544 Globo						
		S		CNL		Lamps (Ta=25°C)
wattage	colour	weight	code	weight	code	Kelvin - ølm - Ra
INC 100	grey	1.40	427246-00			
FLC 2x9S	grey			1.70	427247-00	4000K - 600lm - Ra 1b

Housing: vandal resistant, V2 self-extinguishing, UV-stabilised RAL 7035 grey polycarbonate.

Reflector: polished aluminium (INC) or white polycarbonate (FLC).

Diffuser: vandal resistant, V2 self-extinguishing, UV-stabilised anti-glare polycarbonate; dustproof, smooth outside.



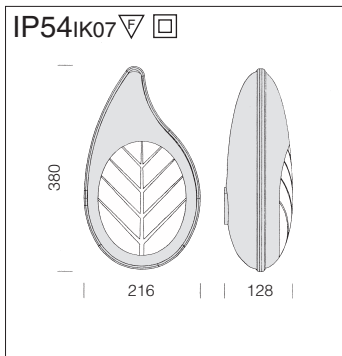
Housing: vandal resistant, V2 self-extinguishing, UV-stabilised RAL 7035 grey polycarbonate.

Reflector: polished aluminium (INC) or white polycarbonate (FLC).

Diffuser: vandal resistant, V2 self-extinguishing, UV-stabilised anti-glare polycarbonate; dustproof, smooth outside.

Electric gear: 230V/50Hz power supply. Hard wire, cross section 0.50 sqmm, and high-temperature resistant (up to 90°C) PVC-HT sheath, in accordance with CEI 20-20 standards. 2P terminal block (maximum allowed lead cross-section of 2.5 sqmm.).

1546 Globo - semi-recessed						
		S		CNL		Lamps (Ta=25°C)
wattage	colour	weight	code	weight	code	Kelvin - ølm - Ra
INC 100	grey	1.40	427236-00			
FLC 2x9S	grey			1.70	427237-00	4000K - 600lm - 1b

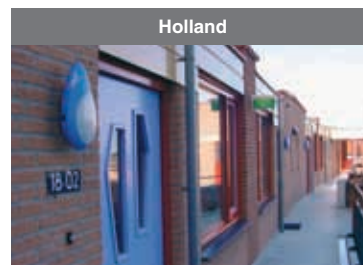
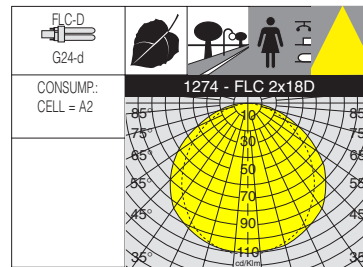


Housing: Vandal resistant, V2 self-extinguishing, UV-stabilised, internally anti-glare polycarbonate.

Reflector: in white aluminium.

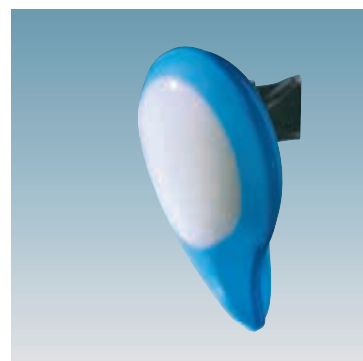
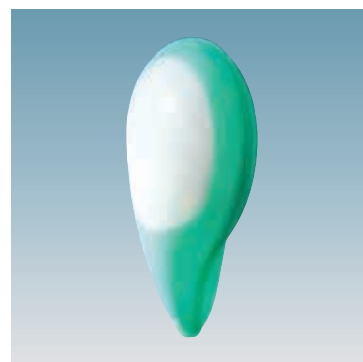
Diffuser: Vandal resistant, V2 self-extinguishing, UV-stabilised clear polycarbonate, with anti-glare opal sectors.

Electric gear: 230-240V/50-60Hz power supply.

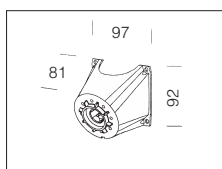


1274 Foglia				
		CELL		Lamps (Ta=25°C)
wattage	colour	weight	code	Kelvin - ølm - Ra
FLC 1x26D/E	green	1.30	510612-00	4000K - 1800lm - Ra 1b
FLC 1x26D/E	blue	1.30	510614-00	
FLC 1x26D/E	orange	1.30	510616-00	
FLC 2x18D/E	green	1.30	510611-00	4000K - 1200lm - Ra 1b
FLC 2x18D/E	blue	1.30	510613-00	
FLC 2x18D/E	orange	1.30	510615-00	

Due to its shape and colours it is ideal for installation in primary, and nursery schools.
Recommended for use in interior applications. With mounting plate and air recirculation valve.



acc. 196 wall mounting unit	
black	991374
Made of polycarbonate. For wall installation with tilted housing.	



Tool-less housing opening system.

