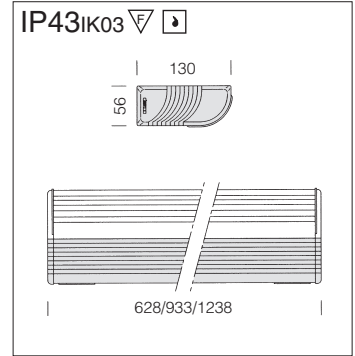




FL... G13
 CONSUMP: CNR = B2 CEL = A2
 with switch: (subcode 54).

FL... G13
 CONSUMP: CNR = B2 CEL = A2
 with schuko + switch (subcode 92).



Housing: Extruded aluminium with end caps made of self-extinguishing material.

Diffuser: Dust-proof, UV stabilised opal Polycarbonate, fluted inside and smooth outside.

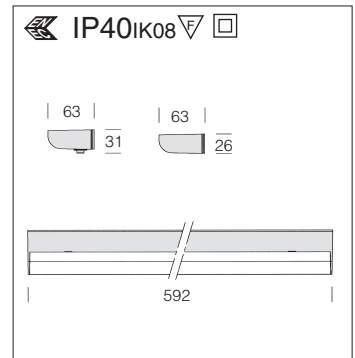
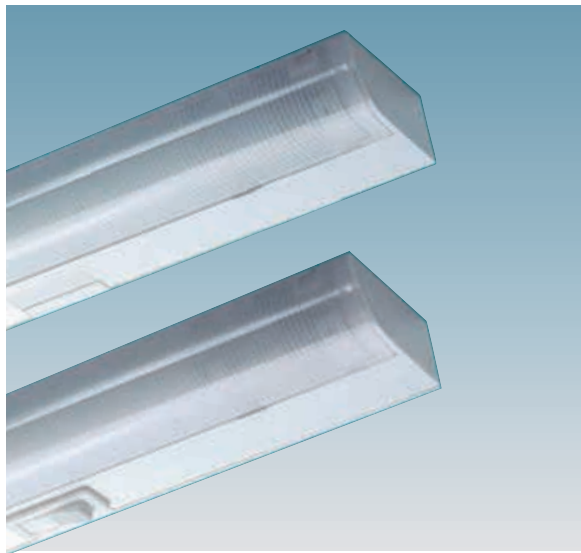
Coating: UV-stabilised white polyester resin.

Electric gear: power supply 230-50Hz. cross section 0.50 sqmm, and high-temperature resistant (up to 90°C) PVC-HT sheath, in accordance with CEI 20-20 standards. 2P + T terminal block (maximum allowed lead cross section 2.5 sqmm.)

410 - Rigo							
		CNR		CNR with switch		CNR with schuko	
wattage	colour	weight	code	weight	code	weight	code
FL 1x18	white	1.75	214542-00	1.80	214542-54	1.85	214542-92
FL 1x30	white	2.30	214543-00	2.35	214543-54	2.40	214543-92
FL 1x36	white	2.70	214544-00	2.55	214544-54	2.60	214544-92



FL... G5
 CONSUMP: CELL = A2



Linea - Housing: Vandal-resistant, V2 self-extinguishing, UV-stabilized, anti-yellowing treated polycarbonate.

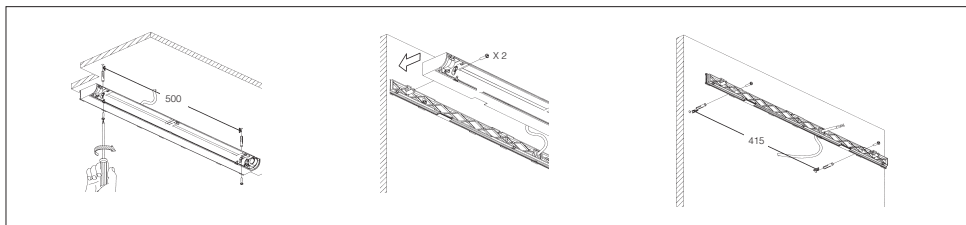
Diffuser: in transparent polycarbonate.

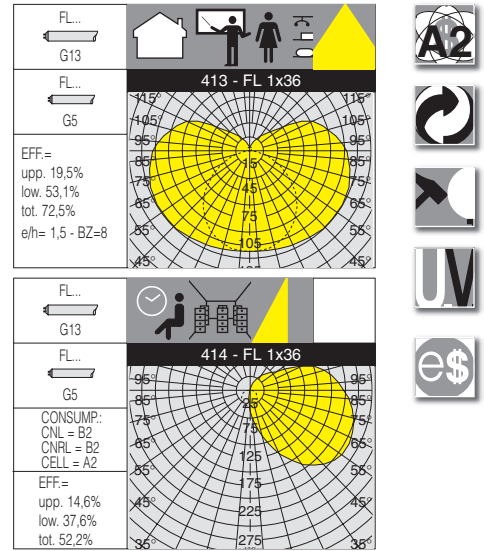
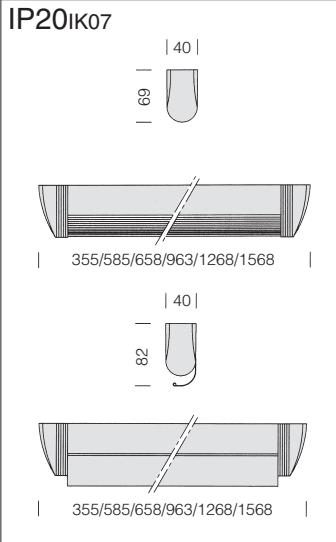
Electric gear: power supply 230V/240V-50/60Hz. Hard wire, cross section 0.50 sqmm, and high-temperature resistant (up to 90°C) PVC-HT sheath, in accordance with CEI 20-20 standards. 2P + T terminal block (maximum allowed lead cross section 2.5 sqmm.)

Standard supply: multi use bracket for ceiling or wall mounting.

416 - Linea			
		CELL - without switch	
wattage	colour	weight	code
FL 1x14	white	1.50	214550-00

417 - Linea			
		CELL - with switch	
wattage	colour	weight	code
FL 1x14	white	1.50	214650-00





Housing: Galvanised steel previously stove-enamelled with polyester resin, with rounded edges for hand safety; end caps made of self-extinguishing material.

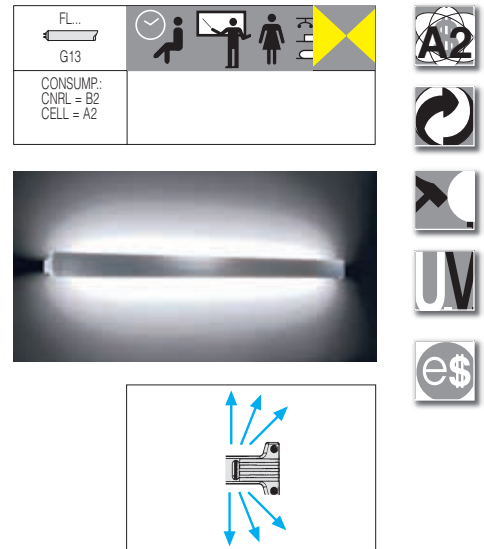
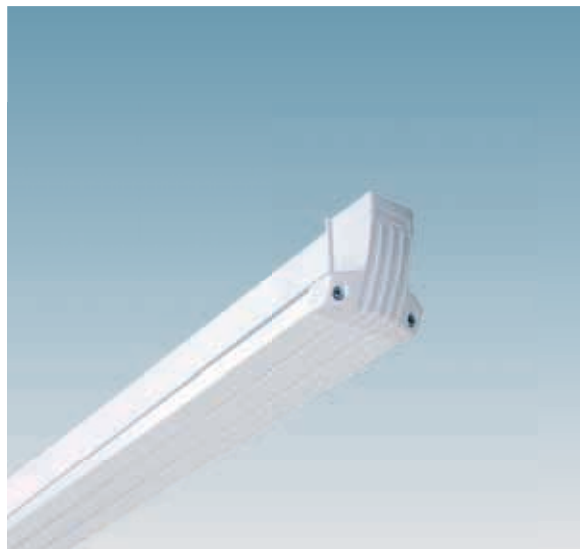
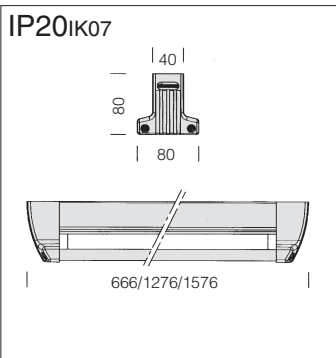
Diffuser: Dust-proof, UV stabilised opal plexiglas, fluted inside and smooth outside.

Electric gear: 230V/50Hz power supply. Hard wire cross section 0.50sqmm. 2P+T terminal block.

Lamp: With 2700 K fluorescent lamps.

413 Boreale - with plexiglass diffuser							
		CNL		CNRL		CELL	
wattage	colour	weight	code	weight	code	weight	code
FL 1x8	white	0.60	214910-00				
FL 1x13	white	0.80	214911-00				
FL 1x18	white			0.90	214912-00	0.70	214912-08
FL 1x30	white			1.20	214913-00	1.00	214913-08
FL 1x36	white			1.60	214914-00	1.40	214914-08
FL 1x58	white					1.90	214915-08

414 Boreale - with asymmetrical reflector							
		CNL		CNRL		CELL	
wattage	colour	weight	code	weight	code	weight	code
FL 1x8	white	0.90	214920-00				
FL 1x13	white	1.10	214921-00				
FL 1x18	white			1.20	214922-00		
FL 1x30	white			1.50	214923-00		
FL 1x36	white			2.20	214924-00		
FL 1x58	white					2.50	214925-08



Diffuser: front diffuser panel, to create lighting effects.

419 Boreale - with anti-glare diffuser							
		CNRL		CELL		Lamps (Ta=25°C)	
wattage	colour	weight	code	weight	code	Kelvin - ølm - Ra	
FL 1x18	white	2.60	214940-00			4000K - 1350lm - Ra 1b	
FL 1x36	white	3.30	214941-00			4000K - 3350lm - Ra 1b	
FL 1x58	white			3.60	214942-08	4000K - 5200lm - Ra 1b	