

Reggio Emilia

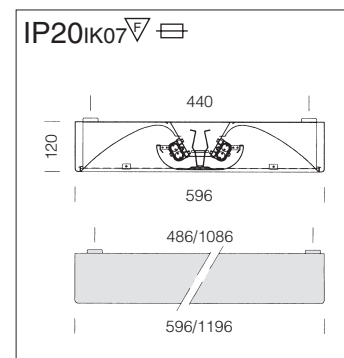
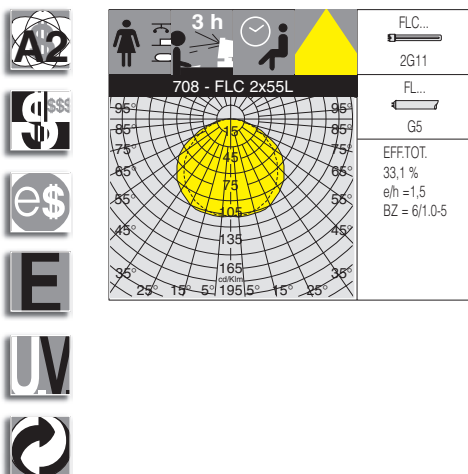
Housing: In sheet steel

Coating: Housing and reflector in white, UV-stabilised polyester powder.

Electric gear: 230V/50Hz (CEL) power supply 230-240V/50Hz electronic ballast. Hard wire, 0.50 sqmm cross section, and PVC-HT sheath, resistant up to 90°C, according to CEI 20-20 standards. 2P+T terminal block, with maximum allowed lead cross section of 2.5 sqmm.

Equipment: 6.3 A protective fuse.

Emergency version: on request versions with 3 hour emergency duration.

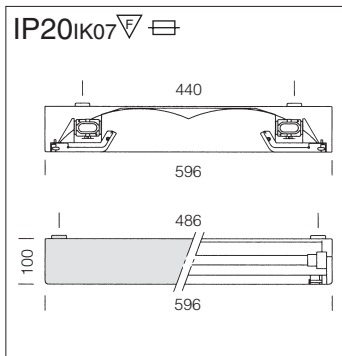


Reflector: in white parabolic aluminium.

Diffuser: protruding semi-sphere in micro-perforated sheet metal, complete with anti-glare opal plate.

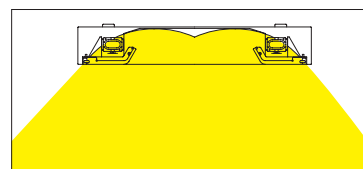
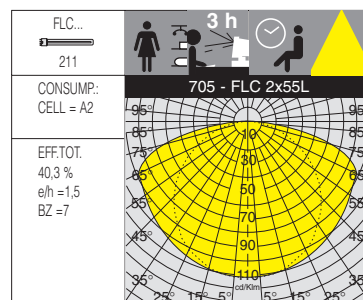
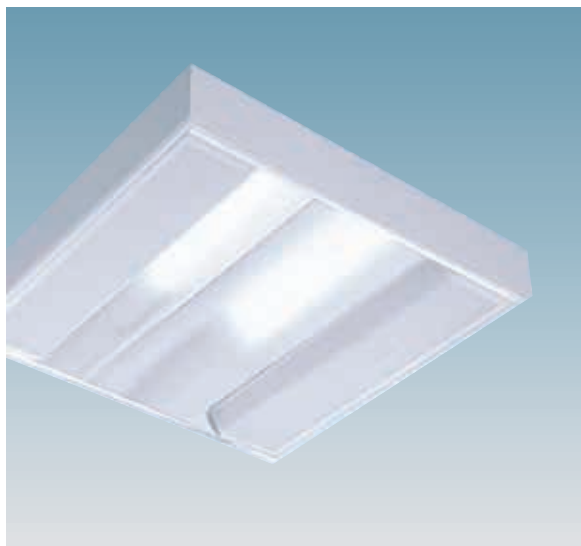
708 Gabbiano

		CELL-F		CNRL-F		CELLF-E		CNRLF-E	
wattage	colour	weight	code	weight	code	weight	code	weight	code
FLC 2x55L	white	5.40	143021-00			6.50	143021-07		
FL 2x54	white	6.00	143024-00			7.60	143024-07		
FLC 2x36L	white			6.20	143020-00			7.30	143020-07

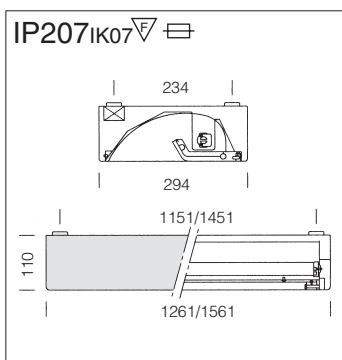


Reflector: anti-glare white aluminium.

Diffuser: with micro-perforated steel plate, complete with anti-glare opal diffuser.

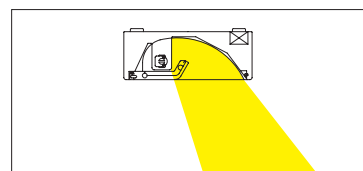
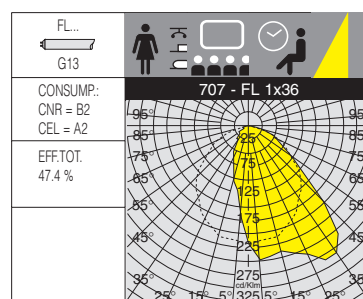


705 Airone							
		CELL-F		CELL-E		Lampade (Ta=25°C)	
wattage	colour	weight	code	weight	code	Kelvin - ølm - Ra	
FLC 2x55L	white	6.10	143111-00	7.20	143111-07	4000K - 4800lm - Ra 1b	



Reflector: in low luminance anti-iridescence matt aluminium.

Diffuser: with micro-perforated steel plate, complete with anti-glare opal diffuser.



707 - Wallwasher							
		CNR-F		CEL-F		CNR-F-E	
wattage	colour	weight	code	weight	code	weight	code
FL 1x36	white	6.50	143119-00	6.50	143119-08	7.60	143119-07
FL 1x58	white	8.20	143120-00	8.20	143120-08	9.30	143120-07