

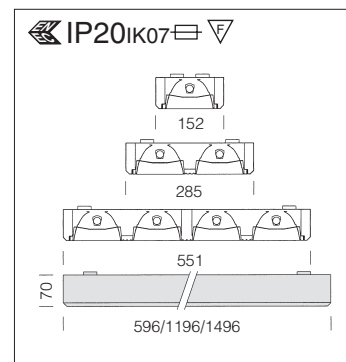
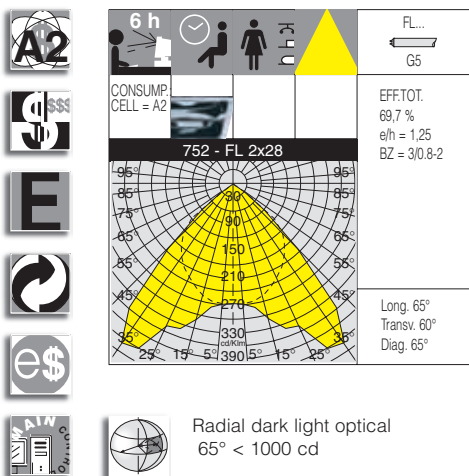


Housing: Made of sheet steel.

Coating: With UV-stabilised white polyester powder.

Electric gear: 230-240V/50-60Hz power supply with electronic ballast. Hard wire, cross section 0.50 sqmm, and high-temperature resistant (up to 90°C) PVC-HT sheath, in accordance with CEI 20-20 standards. 2P + T terminal block (maximum allowed lead cross section 2.5 sqmm.)

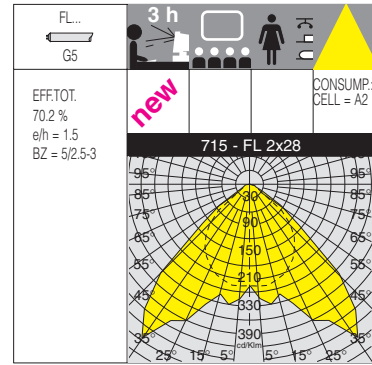
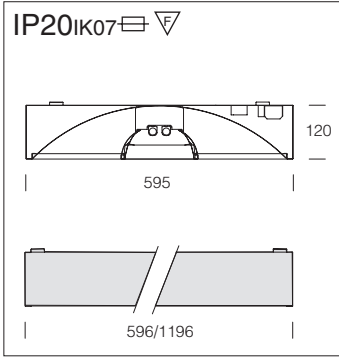
Equipment: optical system remains attached to the housing with safety cord; 3.15A protection fuse.



Dark light optics: double parabolic louvres, in high-gloss plated aluminium 99.99. Anti-glare and anti-iridescence, very low luminance. PVD treatment to increase light efficiency.

752 Supercomfort T5 - high-gloss 99,99

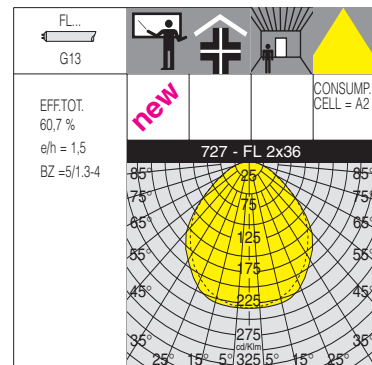
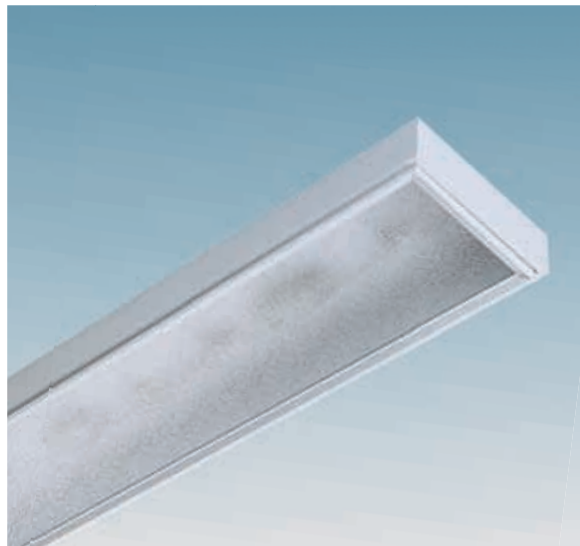
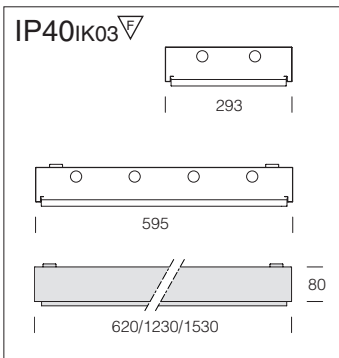
		CELL-F		CELL-F-E		Lamps (Ta=25°C)
wattage	colour	weight	code	weight	code	Kelvin - ølm - Ra
FL 1x28	white	5.20	143523-00			4000K - 2600lm - Ra 1b
FL 1x35	white	3.60	143526-00			4000K - 3300lm - Ra 1b
FL 2x14	white	1.90	143521-00			4000K - 1200lm - Ra 1b
FL 2x28	white	3.60	143524-00	4.30	143524-07	4000K - 2600lm - Ra 1b
FL 2x35	white	4.20	143527-00	4.90	143527-07	4000K - 3300lm - Ra 1b
FL 4x14	white	2.70	143522-00	3.40	143522-07	4000K - 1200lm - Ra 1b
FL 4x28	white	5.40	143525-00	6.00	143525-07	4000K - 2600lm - Ra 1b



Reflector: in matt plated aluminium 99.99 to increase light efficiency.

Louvre: double parabolic louvres, in matt plated aluminium 99.99. Anti-glare and anti-iridescence, very low luminance. PVD treatment to increase light efficiency.

715 ibis - two-lamps 99,99						
		CELL-F		CELL-E		Lamps (Ta=25°C)
wattage	colour	weight	code	weight	code	Kelvin - ølm - Ra
FL 2x28	white	6.00	143236-00	6.70	143236-07	4000K - 2600lm - Ra 1b
FL 2x54	white	6.00	143237-00	6.90	143237-07	4000K - 4500lm - Ra 1b
FLC 2X55L	white	5.50	143235-00	6.20	143235-07	4000K - 4800lm - Ra 1b



Diffuser: anti-glare frosted plexi-glass. Complete with extruded aluminium frame; snap fastened by means of four safety springs.

727 Comfort - frosted diffuser							
		CNR		CEL		CNR-E	
wattage	colour	weight	code	weight	code	weight	code
FL 2x18	white	3.70	142030-00	3.50	142030-08	4.30	142030-07
FL 2x36	white	6.50	142031-00	5.70	142031-08	7.10	142031-07
FL 2x58	white	8.30	142032-00	6.90	142032-08	8.90	142032-07
FL 4x18	white	6.30	142033-00	5.40	142033-08	6.80	142033-07
FL 4x36	white	11.20	142034-00	9.70	142034-08	11.80	142034-07

On request: polycarbonate diffuser.